

Samsung Digital Security Systems

SAMSUNG

Digital Security Systems



2009 Total Products



The Eco mark represents Samsung Techwin's will to create environment-friendly products, and indicates that the product satisfies the EU RoHS Directive.

Design and specifications are subject to change without notice.



SAMSUNG TECHWIN CO., LTD.
145-3, Sangdaewon 1-dong, Jungwon-gu, Seongnam-si, Gyeonggi-do Korea 462-703
Tel : +82-31-740-8151 ~ 8 Fax : +82-31-740-8145
www.samsungcctv.com

SAMSUNG TECHWIN AMERICA Inc.
1480 Charles Willard St. Carson, CA 90746, UNITED STATES
Toll Free : +1-877-213-1222 Fax : +1-310-632-2195
www.samsungcctvusa.com

SAMSUNG TECHWIN EUROPE CO., LTD.
Samsung House, 1000 Hillswood Drive, Hillswood Business Park
Chertsey, Surrey, UNITED KINGDOM KT16 0PS
Tel : +44-1932-45-5300 Fax : +44-1932-45-5325

TIANJIN SAMSUNG TECHWIN OPTO-ELECTRONICS CO., LTD.
No 11 Wei 6 Street, Micro-Electronic Industrial Park
Jingang Road, Tianjin, P.R. CHINA 300385
Tel : +86-22-23887788 Fax : +86-22-23887788

■ DISTRIBUTED BY



MSJ Security Systems
Post Box : 53492, Riyadh : 11583
Kingdom of Saudi Arabia, Unified No : 920000675
Fax : 01-462-3359, E-mail : marketing@msj.com.sa
www.msj.com.sa

I.D-0902

SAMSUNG TECHWIN





Your Source for Professional Video Security Solutions



Samsung Techwin was founded in 1977 as Part of Samsung's Machinery and Heavy Industries Group. This group has specialized in a wide range of high technology products such as semiconductor manufacturing systems, turbine engines, and defense systems. The need for advanced optical and image processing technologies came from the company's activities in these areas. After years of successful development of advanced optics and digital processing technology, the Security and Image Processing division was created to provide commercial security products from these technologies. What you see in this catalog is not just another version of video security products produced from off the shelf components. Samsung Techwin's video security products are based upon cutting edge technologies that are unique in the security industry. When you try our products you will experience the difference that these technologies provide.



SAMSUNG Digital Security Systems



With the worldwide threat of crime and terrorism increasing daily, the demand for high quality video security systems is also growing rapidly. Users are demanding new capabilities and greater efficiency from their security systems. Samsung Techwin is dedicated to the goal of producing high performance products that introduce features and capabilities that push the boundaries of what can be done with those products. We are redefining what you should expect from a video security system.

PRODUCT LINE UP

FIXED CAMERA			DOME CAMERA			
Ultra Low Light	SHC-750 SSNR, 1/2" EM-CCD Extreme Ultra Low Light	13P	Vandal-proof	SVD-4600/4600W SV-IV, SSNR, 1/3" CCD, Built-in V/F Lens High Resolution, Day & Night, Vandal-Resistant	36P 37P	
	SHC-745 SV-IV, SSNR, 1/2" CCD Ultra Low Light, High Resolution	14P		SVD-4400 NEW W-IV, SSNR, 1/3" CCD, Built-in V/F Lens High Resolution, Day & Night, Vandal-Resistant	38P	
WDR	SHC-737 NEW SV-IV, SSNR, 1/3" CCD High Resolution, Low Light	15P 16P	High Resolution	SVD-4300/4300W W-III, SSNR, 1/4" CCD, 10X Zoom Lens High Resolution, Day & Night, Vandal-Resistant	39P	
	SHC-735 SV-IV, SSNR, 1/3" CCD High Resolution, WDR, Low Light	17P		SID-560/560W/562/562W SV-IV, SSNR, 1/3" CCD, Built-in V/F Lens High Resolution, WDR, Low Light	40P 41P	
Day & Night	SDN-550 W-III, SSNR, 1/3" CCD High Resolution, Day & Night	18P	IR LED	SID-460/460W W-IV, SSNR, 1/3" CCD, Built-in V/F Lens High Resolution, Day & Night	42P	
	SDC-425 W-IV, SSNR, 1/3" CCD High Resolution, Day & Night	19P 20P		SID-500 W-III, SSNR, 1/4" CCD, 10X Zoom Lens High Resolution, Day & Night	43P	
High Resolution	SDC-415 W-III, SSNR, 1/3" CCD High Resolution, Day & Night	21P	For PTZ Dome Camera	SID-450/452 W-III, SSNR, 1/3" CCD, Built-in V/F Lens High Resolution, Day & Night	44P	
	SDC-313B W-III, SSNR, 1/3" CCD High Resolution	22P		SID-47/47W/48/48W/49/49W W-IV, SSNR, 1/3" CCD High Resolution, Day & Night	45P 46P	
Built-in Lens	SOC-4030 W-III, SSNR, 1/3" CCD, Built-in V/F Lens High Resolution, Day & Night	23P	For Vandal-proof Dome Camera	SID-45C/46C W-III, SSNR, 1/3" CCD High Resolution, Day & Night	47P	
	SDZ-375 SV-IV, SSNR, 1/4" CCD, 37X Zoom Lens High Resolution, WDR, Low Light	24P		SID-53/53W/56/56W W-IV, SSNR, 1/3" CCD High Resolution, Mini Dome	48P	
Zoom	SDZ-370 NEW W-IV, SSNR, 1/3" CCD, 37X Zoom Lens High Resolution, Day & Night	25P 26P	For Fixed Camera	SID-50 W-III, SSNR, 1/3" CCD High Resolution, Mini Dome	49P	
	SIR-4150 W-III, SSNR, 1/3" CCD, Built-in V/F Lens High Resolution, Day & Night, Built-in IR LEDs	27P		SIR-4250S/4250W W-III, SSNR, 1/3" CCD, Built-in V/F Lens Day & Night, Built-in IR LEDs, Smoke Dome	50P 51P	
IR LED				SIR-60 NEW W-IV, SSNR, 1/3" CCD, Built-in V/F Lens Day & Night, Built-in IR LEDs, Smoke Dome	52P	
PTZ			ACCESSORIES			
PTZ	SPD-3750/3750T NEW SV-IV, SSNR, 1/4" CCD, 37X Zoom Lens Low Light, WDR	28P 29P	For PTZ Dome Camera	STH-380PO STH-370PO STH-370PI STH-360PO STH-370PE STB-370PC STB-270B STB-270PW STB-496PPV STB-30PF STB-25PF STB-330PPM STB-340PCM STB-350PPM STB-230PW STB-280PW STH-1000PI STH-1000PO STB-319VPS STB-249VWS STB-250VC STB-225VWS STB-275VWS	53P 58P	
	SPD-3350 NEW SV-IV, SSNR, 1/4" CCD, 33X Zoom Lens Low Light, WDR	30P		For Vandal-proof Dome Camera		STH-600/600H STH-500 STH-350 STH-200 STB-4150V
	SPD-3700/3700T NEW W-IV, SSNR, 1/4" CCD, 37X Zoom Lens High Resolution, Low Light	31P 32P				For Fixed Camera
	SPD-3310 NEW W-IV, SSNR, 1/4" CCD, 33X Zoom Lens High Resolution, Low Light	33P				
	SPD-2700 NEW W-IV, SSNR, 1/4" CCD, 27X Zoom Lens High Resolution, Low Light	34P				
	SPD-1000 W-III, SSNR, 1/4" CCD, 10X Zoom Lens High Resolution, Day & Night	35P				

PRODUCT LINE UP

LENS			NETWORK PRODUCT		
Zoom	SLA-880	62P	Encoder	SNS-400/100 MPEG-4/JPEG 4 / 1 Channel Network Video Encoder	86P
	SLA-3580DN/2985D 2810D/550D	63P		SNC-570 SV-IV, SSNR, 1/3" CCD MPEG-4/JPEG High Resolution, WDR, Network Camera	87P 88P
Varifocal		63P	Camera	SNC-550 W-III, SSNR, 1/3" CCD MPEG-4/JPEG High Resolution, Day & Night, Network Camera	89P
				SND-560 NEW SV-IV, SSNR, 1/3" CCD MPEG-4/JPEG High Resolution, WDR, Network Camera	90P 91P
DIGITAL VIDEO RECORDER			Software	SNP-3300A SV-III, SSNR, 1/4" CCD MPEG-4/JPEG, 30X Zoom Lens Low Light, WDR, PTZ Network Camera	92P
Stand-Alone	SVR-3200 32 Channels 960fps (Live) / half D1 960fps (Record) : NTSC 800fps (Live) / half D1 900fps (Record) : PAL	69P		SNP-1000A W-III, SSNR, 1/4" CCD MPEG-4/JPEG, 10X Zoom Lens High Resolution, PTZ Network Camera	93P
	Stand-Alone	SVR-1680 16 Channels 480fps (Live) / D1 480fps (Record) : NTSC 400fps (Live) / D1 400fps (Record) : PAL	70P 71P	SNM-128P NEW Max. 128 Channel Real-time live monitoring Centralized Video Management Software	94P 95P
Stand-Alone		SVR-1660 16 Channels 480fps (Live) / 480fps (Record) : NTSC 400fps (Live) / 400fps (Record) : PAL	72P	SNM-64P Max. 128 Channel Real-time live monitoring Centralized Video Management Software	96P
	Stand-Alone	SVR-1645 16 Channels 480fps (Live) / 480fps (Record) : NTSC 400fps (Live) / 400fps (Record) : PAL	73P	SNR-32A/16A/9A MPEG-4/JPEG 32 / 16 / 9 Channel Network Recording Software	97P
Stand-Alone		SVR-960 9 Channels 270fps (Live) / 270fps (Record) : NTSC 225fps (Live) / 225fps (Record) : PAL	74P 75P	CONTROLLER	
	Stand-Alone	SVR-945 9 Channels 270fps (Live) / 270fps (Record) : NTSC 225fps (Live) / 225fps (Record) : PAL	76P	SCC-3100A System Controller for PTZ Dome, DVR & Matrix	99P
Stand-Alone		SVR-940 9 Channels 270fps (Live) / 120fps (Record) : NTSC 225fps (Live) / 100fps (Record) : PAL	77P	SCC-1000 NEW PTZ Control Keyboard	100P
	Stand-Alone	SVR-450 4 Channels 120fps (Live) / 120fps (Record) : NTSC 100fps (Live) / 100fps (Record) : PAL	78P	SDQ-420 Dual Color Quad Switcher	101P
Stand-Alone		SVR-440 4 Channels 120fps (Live) / 120fps (Record) : NTSC 100fps (Live) / 100fps (Record) : PAL	79P	SMX-25632 256 input / 32 output Video Matrix Switcher	102P
	Stand-Alone	SVS-5R NEW RAID 5 Unit 1U 19-inch rack case Data transfer speed : Up to 3.0Gbps (SATA II)	80P	MONITOR	
Stand-Alone		SVS-5E HDD Extension Unit 1U 19-inch rack case Data transfer speed : Up to 3.0Gbps (SATA II)	80P	STM-19LA/17LA 19", 17" Color 1,280 x 1,024@75Hz Resolution, BNC/VGA	106P
	TFT-LCD			STM-19LM/17LM NEW 19", 17" Color 1,280 x 1,024@75Hz Resolution, BNC/VGA	107P
				STM-19LP/17LP 19", 17" Color 1,280 x 1,024@75Hz Resolution, VGA	108P
			STM-42L/32L NEW 42", 32" Color 1,366 x 768@60Hz Resolution, BNC/VGA	109P	

CAMERA SELECTION



Your source for
Professional Video Security Solutions

CAMERA

Samsung Digital Security Systems



SAMSUNG TECHWIN



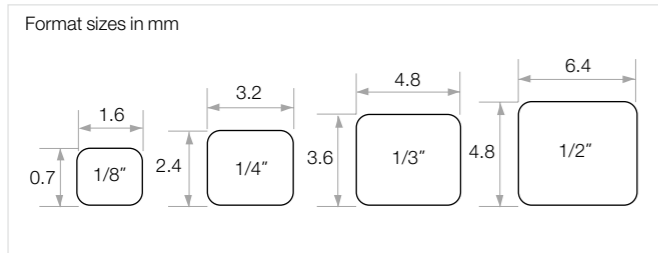
Type	Model	Image	CCD Format	Min. Illumination	Lens	Angular Field of View	Horizontal Resolution	Day & Night	WDR / BLC	S/N Ratio	OSD	Motion Detection	Privacy Masking	Power
Fixed	SHC-750		1/2"	0.008Lux@F1.2 (Color) 0.0005Lux@F1.2 (B/W)	-	-	450TVL (Color), 470TVL (B/W)	ICR	BLC	50dB	Yes	Yes	Yes	12V DC
	SHC-745		1/2"	0.05Lux@F1.2 (Color) 0.006Lux@F1.2 (B/W)	-	-	560TVL (Color), 700TVL (B/W)	ICR	HLC/BLC	52dB	Yes	Yes	Yes	Dual (24V AC / 12V DC) 230V AC
	SHC-737		1/3"	0.05Lux@F1.2 (Color) 0.0025Lux@F1.2 (B/W)	-	-	580TVL (Color), 700TVL (B/W)	ICR	HLC/BLC	52dB	Yes	Yes	Yes	Dual (24V AC / 12V DC)
	SHC-735		1/3"	0.3Lux@F1.2 (Color) 0.01Lux@F1.2 (B/W)	-	-	560TVL (Color), 700TVL (B/W)	ICR	WDR/HLC/BLC	52dB	Yes	Yes	Yes	Dual (24V AC / 12V DC) 230V AC
	SDN-550		1/3"	0.3Lux@F1.2 (Color) 0.01Lux@F1.2 (B/W)	-	-	530TVL (Color), 570TVL (B/W)	ICR	Spotlight BLC	50dB	Yes	Yes	Yes	Dual (24V AC / 12V DC) 230V AC
	SDC-425		1/3"	0.05Lux@F1.2 (Color) 0.0002Lux@F1.2 (Color, Sens-up)	-	-	580TVL	Electronic	HLC/BLC	52dB	Yes	Yes	Yes	Dual (24V AC / 12V DC) 12V DC / 230V AC
	SDC-415		1/3"	0.3Lux@F1.2 (Color) 0.002Lux@F1.2 (Color, Sens-up)	-	-	530TVL	Electronic	BLC	50dB	Yes	Yes	Yes	24V AC / 12V DC 230V AC
	SDC-3138		1/3"	0.3Lux@F1.2 (Color) 0.002Lux@F1.2 (Color, Sens-up)	-	-	530TVL	N/A	BLC	50dB	Yes	Yes	Yes	24V AC / 12V DC
	SOC-4030		1/3"	0.3Lux@F1.2 (Color) 0.002Lux@F1.2 (Color, Sens-up)	3X (V/F)	90.0° ~ 31.8°(H) 66.2° ~ 23.9°(V)	530TVL	Electronic	BLC	50dB	Yes	Yes	Yes	Dual (24V AC / 12V DC)
	SDZ-375		1/4"	0.7Lux@F1.6 (Color) 0.03Lux@F1.6 (B/W)	37X (Zoom)	55.5° ~ 1.59°(H) 42.5° ~ 1.19°(V)	550TVL (Color), 680TVL (B/W)	ICR	WDR/HLC/BLC	50dB	Yes	Yes	Yes	12V DC
SDZ-370		1/4"	0.4Lux@F1.6 (Color) 0.02Lux@F1.6 (B/W)	37X (Zoom)	55.5° ~ 1.59°(H) 42.5° ~ 1.19°(V)	550TVL (Color), 680TVL (B/W)	ICR	HLC/BLC	50dB	Yes	Yes	Yes	12V DC	
SIR-4150		1/3"	0Lux@F1.2 (LED on) 0.3Lux@F1.2 (Color)	2.5X (V/F)	73.5° ~ 29.7°(H) 53.9° ~ 22.3°(V)	520TVL (Color), 570TVL (B/W)	ICR	BLC	50dB	Yes	Yes	Yes	12V DC	
PTZ	SPD-3750/3750T		1/4"	0.7Lux@F1.6 (Color) 0.03Lux@F1.6 (B/W)	37X (Zoom)	55.5° ~ 1.59°(H) 42.5° ~ 1.19°(V)	550TVL (Color), 680TVL (B/W)	ICR	WDR/HLC/BLC	50dB	Yes	Yes	Yes	24V AC
	SPD-3350		1/4"	0.7Lux@F1.6 (Color) 0.03Lux@F1.6 (B/W)	33X (Zoom)	55.5° ~ 1.77°(H) 42.5° ~ 1.33°(V)	550TVL (Color), 680TVL (B/W)	ICR	WDR/HLC/BLC	50dB	Yes	Yes	Yes	24V AC
	SPD-3700/3700T		1/4"	0.4Lux@F1.6 (Color) 0.02Lux@F1.6 (B/W)	37X (Zoom)	55.5° ~ 1.59°(H) 42.5° ~ 1.19°(V)	550TVL (Color), 680TVL (B/W)	ICR	HLC/BLC	50dB	Yes	Yes	Yes	24V AC
	SPD-3310		1/4"	0.4Lux@F1.6 (Color) 0.02Lux@F1.6 (B/W)	33X (Zoom)	55.5° ~ 1.77°(H) 42.5° ~ 1.33°(V)	550TVL (Color), 680TVL (B/W)	ICR	HLC/BLC	50dB	Yes	Yes	Yes	24V AC
	SPD-2700		1/4"	0.4Lux@F1.6 (Color) 0.02Lux@F1.6 (B/W)	27X (Zoom)	55.5° ~ 2.24°(H) 42.5° ~ 1.79°(V)	550TVL (Color), 680TVL (B/W)	ICR	HLC/BLC	50dB	Yes	Yes	Yes	24V AC
	SPD-1000		1/4"	0.7Lux@F1.8 (Color) 0.02Lux@F1.8 (B/W)	10X (Zoom)	51.2° ~ 5.58°(H) 39.3° ~ 4.27°(V)	520TVL (Color), 570TVL (B/W)	ICR	BLC	50dB	Yes	Yes	Yes	12V DC
	SD-4600/4600W		1/3"	0.3Lux@F1.2 (Color) 0.01Lux@F1.2 (B/W)	3.6X (V/F)	94.4° ~ 28.0°(H) 69.2° ~ 21.0°(V)	560TVL (Color), 700TVL (B/W)	ICR	WDR/BLC	52dB	Yes	Yes	Yes	Dual (24V AC / 12V DC)
Dome	SVD-4400		1/4"	0.15Lux@F1.8 (Color) 0.01Lux@F1.8 (B/W)	3.6X (V/F)	94.4° ~ 28.0°(H) 69.2° ~ 21.0°(V)	580TVL (Color), 700TVL (B/W)	ICR	HLC/BLC	52dB	Yes	Yes	Yes	Dual (24V AC / 12V DC)
	SD-4300/4300W		1/4"	0.7Lux@F1.8 (Color) 0.02Lux@F1.8 (B/W)	10X (Zoom)	51.2° ~ 5.58°(H) 39.3° ~ 4.27°(V)	500TVL (Color), 570TVL (B/W)	ICR	BLC	50dB	Yes	Yes	Yes	Dual (24V AC / 12V DC)
	SD-560/560W SD-562/562W		1/3"	0.3Lux@F1.2 (Color) 0.01Lux@F1.2 (B/W)	3.6X (V/F)	94.4° ~ 28.0°(H) 69.2° ~ 21.0°(V)	560TVL (Color), 700TVL (B/W) / 560TVL	ICR / Electronic	WDR/BLC	52dB	Yes	Yes	Yes	SD-560 : 12V DC SD-562 : Dual (24V AC / 12V DC)
	SD-460/460W		1/3"	0.15Lux@F1.2 (Color) 0.01Lux@F1.2 (B/W)	3.6X (V/F)	94.4° ~ 28.0°(H) 69.2° ~ 21.0°(V)	560TVL (Color), 700TVL (B/W)	ICR	HLC/BLC	52dB	Yes	Yes	Yes	12V DC
	SD-500		1/4"	0.7Lux@F1.8 (Color) 0.02Lux@F1.8 (B/W)	10X (Zoom)	51.2° ~ 5.58°(H) 39.3° ~ 4.27°(V)	500TVL (Color), 570TVL (B/W)	ICR	BLC	50dB	Yes	Yes	Yes	Dual (24V AC / 12V DC)
	SD-450/452		1/3"	0.3Lux@F1.2 (Color) 0.002Lux@F1.2 (Color, Sens-up)	3X (V/F)	90.0° ~ 31.8°(H) 66.2° ~ 23.9°(V)	530TVL	Electronic	BLC	50dB	Yes	Yes	Yes	SD-450 : 12V DC SD-452 : Dual (24V AC / 12V DC)
	SD-47/47W/49/49W SD-49/49W		1/3"	0.15Lux@F1.2 (Color) 0.0006Lux@F1.2 (Color, Sens-up)	3.7mm (Fixed)	71°(H), 52°(V) 33°(H), 25°(V)	580TVL	Electronic	HLC/BLC	52dB	Yes	Yes	Yes	Dual (24V AC / 12V DC)
	SD-45C/46C		1/3"	0.3Lux@F1.2 (Color) 0.002Lux@F1.2 (Color, Sens-up)	3.7mm (Fixed)	71°(H), 52°(V) 33°(H), 25°(V)	530TVL	Electronic	BLC	50dB	Yes	Yes	Yes	12V DC
	SD-53/53W SD-56/56W		1/3"	0.04Lux@F1.2 (Color, Sens-up)	3mm (Fixed)	95°(H), 71°(V) 46°(H), 34°(V)	580TVL	N/A	BLC	52dB	N/A	N/A	Yes	12V DC
	SD-50		1/3"	0.05Lux@F1.2 (Color, Sens-up)	3mm (Fixed)	95°(H), 71°(V)	540TVL	N/A	BLC	50dB	N/A	N/A	Yes	12V DC
SIR	SIR-4250S/4250W		1/3"	0Lux@F1.2 (LED on) 0.3Lux@F1.2 (Color)	2.5X (V/F)	73.5° ~ 29.7°(H) 53.9° ~ 22.3°(V)	520TVL (Color), 570TVL (B/W)	ICR	BLC	50dB	Yes	Yes	Yes	12V DC
	SIR-60		1/3"	0Lux@F1.2 (LED on) 0.15Lux@F1.2 (Color)	3.6mm (Fixed)	73.5° ~ 29.7°(H) 53.9° ~ 22.3°(V)	580TVL (Color), 700TVL (B/W)	ICR	HLC/BLC	52dB	Yes	Yes	Yes	12V DC

CAMERA

CAMERA TERMS & FEATURES

CCD (Charged Coupled Device)

Charged Coupled Device. This is a solid state semiconductor imaging device often referred to as an integrated circuit, chip or "imager" solid state cameras are sometimes referred to as CCD cameras.



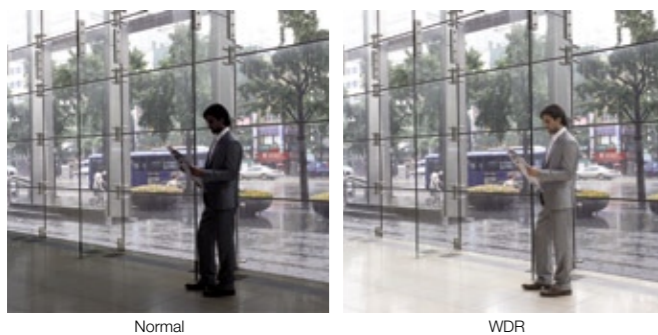
Sensitivity

A camera's ability to reproduce a given scene with a given amount of light. Usually expressed in footcandles or lux. The sensitivity of a CCD camera, broadly speaking, is a measure of its performance in low light conditions.

LIGHTING	LUX LEVEL
Unobstructed sun	100,000
Sun with light cloud	70,000
Sun with heavy cloud	20,000
Home / office lighting	100-1000
Sunrise / sunset	500
Street lighting	1-10
Twilight	4
Full moon	0.2
Quarter moon	0.02
Overcast moon	0.007
Clear night sky	0.001
Average starlight	0.0007
Overcast night sky	0.00005

WDR (Wide Dynamic Range)

Wide Dynamic Range (WDR) technology helps to get detailed information from the dark part of the image without saturation from the bright part. There is no limitation of zone area with the WDR function and the color image is crisper than when using traditional BLC functions. It combines two fields which are high shutter speed exposure in bright areas and low shutter speed exposure in dark areas into one composite image.



Normal

WDR

Pixel

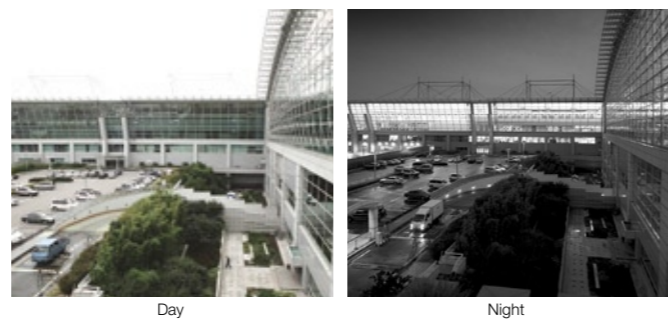
Short for Picture Element. A pixel is the smallest area of a television picture capable of being delineated by an electrical signal passed through the system. The number of picture elements (pixels) in a complete picture, and their geometric characteristics of vertical height and horizontal width, provide information on the total amount of detail which the raster can display and on the sharpness of the detail, respectively.

Day & Night

Day & Night refers to a function which helps the camera adapt to low lighting conditions. In low light, it switches the camera from color to monochrome automatically, allowing for much greater light sensitivity.

ICR (Infrared Cutoff Removal)

The IR cut filter is on when the camera is operating as a color camera for precise color reproduction. With ICR, the filter is removed which allows for much greater light sensitivity in monochrome mode.



Day

Night

BLC (Back Light Compensation)

In CCTV applications it is common to have a bright light source behind the subject of interest. A person at an ATM or entering through an outside door are common examples. Without compensation, these subjects would normally appear as dark silhouettes. The aim of backlight compensation technology is to allow the camera to find the best picture conditions and automatically give the necessary light level compensation, so that users can obtain good identification of a subject in the foreground when there is a bright light source in the background. BLC works by enhancing specific zones in the picture which usually contains the subject of interest. WDR is a more effective alternative to BLC that does not depend on the subject being in a specific zone.



Normal

BLC

CAMERA TERMS & FEATURES

HLC (Highlight Compensation Capability)

HLC (Highlight Compensation) is Samsung Techwin's unique BLC technology that detects if any strong spots of light exist and compensates for the area as needed to produce clearer images. Spotlight BLC is especially effective for reading the number-plates of cars in streets or parking lots at night.

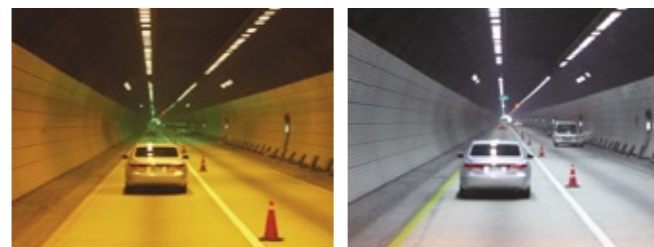


HLC Off

HLC On

Automatic White Balance

Accurate color reproduction requires that the camera compensate for the color temperature of the light source. Automatic white balance is a feature that the camera uses to do color compensation. For indoor applications incandescent, fluorescent, and quartz lighting all have different color temperatures. Outdoors there is sunlight, mercury vapor, and low pressure sodium lighting, all of which have drastically different color temperatures. In many applications the color temperature can change as lighting conditions change. Samsung Techwin cameras offer white balance functions that can be tailored to provide superior color reproduction over a wide range of color temperature conditions.

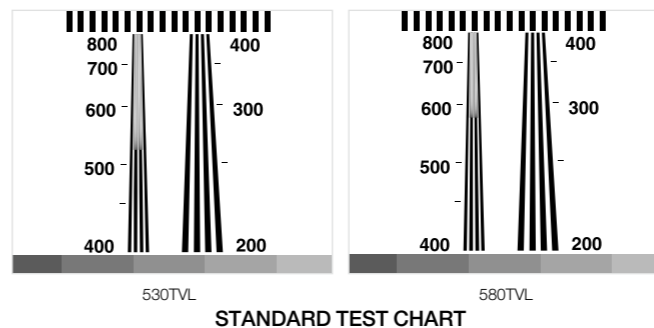


Normal

Automatic White Balance

Resolution

The ability of the camera to resolve fine detail can make the difference in obtaining evidence or not. Resolution is measured by a chart with converging lines of higher and higher density. The resolution is the line density where the camera is no longer able to reproduce individual lines. For this reason, resolution is expressed in terms of TV lines (TVL). The higher this number is, the better the picture.



530TVL

580TVL

STANDARD TEST CHART

MD (Motion Detection)

This is a function where the camera analyzes successive frames of video and can detect movement in the scene. Units that use MD utilize various types of thresholds that can be programmed by the user to prevent or reduce false alarms. If the type or level of motion crosses these thresholds, the unit can automatically react in a way that benefits the system. In cameras with MD, a visible alert message can appear on the screen. In some models, a contact output from the camera can be used to switch a picture to a particular monitor, calling the attention of the operator.



Motion Detected

Privacy Masking

This function allows for areas in the picture to be masked so that they cannot be viewed or recorded. The size and position of these masks are programmable. This feature is useful in applications where a camera can see into areas that are not relevant to the security purposes for the camera and the owner does not want to be subject to privacy invasion claims.

Auto Tracking

The advanced auto tracking feature provides high-accuracy detection of moving objects in targeted area by identifying the characteristics of the subject including color, shape and contrast using advanced algorithm. This feature will automatically pan, tilt and optically zoom to identify a subject clearly. This allows the operator easily identify and lock a subject on the screen at a push of a button.



Auto Digital Flip

The auto digital flip feature allows for more convenient way to view an objects that pass directly below the camera. As the camera pans in the vertical direction to follow the object, the digital flip feature will automatically flip the image 180° as the object passes beneath the camera, and continue to follow the subject without delay.

Smart Zoom

The advanced smart zoom feature provides a quick way to automatically pan, tilt and optically zoom in to an area where the motion is detected. This allows the operator quickly identify a subject that is in a restricted area.

Dual Power

Units with dual power accept either 24V AC or 12V DC power sources and will automatically switch to the appropriate mode upon receiving power.

CORE TECHNOLOGIES

SV-IV, Advanced DSP



The SV-IV is the latest fourth-generation chipset in the Super Vision series, which has been independently developed by Samsung Techwin using super-precision image analysis techniques and 3-dimensional noise reduction technology (SSNR II).

The diagram shows the SV-IV Powerful DSP Engine architecture. It includes components like Lens, 1/3" CCD, AFE, ADC, MUX, Sync bus, Interface, WDR, ISP, SDR, Privacy Masking, Down Scaler, Motion Detector, D-Zoom, Mirror, and Fore Gate. It also features SRAM (1GB) and SRAM (1GB).

Key features highlighted in the images include:

- 560TV lines high resolution
- Clear images at low light levels
- Multi-language OSD
- Wide Dynamic Range

560TV lines color resolution

The SV-IV provides clear picture quality, producing a horizontal resolution of over 560TV lines that is unrivalled by other similar cameras. Cameras that utilize SV-IV have a much greater level of accuracy in recognizing the facial features of subjects, and reading vehicle license numbers by providing clear images.

Superior Wide Dynamic Range Performance

The SV-IV DSP technology compensates for backlight problems 128 times more effectively than standard BLC, by applying an optimum fusion ratio when combining the high speed shutter used in bright areas and the low speed shutter used in dark areas. It carries out a precise analysis on the picture to get detailed information from the dark areas without any saturation from the bright areas.

Next generation Digital Noise Reduction (SSNR II) that employs 3D filtering methods

Night-time operation under low light conditions depends upon effective noise reduction. All SV-IV equipped cameras have the industry's only 3D noise filtering system which is more effective at removing picture noise than any other camera on the market (The S/N ratio is 52dB). This means that SV-IV cameras work better in low light, and it means that they require up to 70% less digital bandwidth and storage space than ordinary cameras.

Clear images 24 hours a day with the ICR Day & Night function

The SV-IV provides a high quality image by activating the ICR (Infrared Cut filter Removal) Day & Night function that detects changes in the level of light at any time of day, and then switches to the optimum surveillance mode according to the light level.

Multi-language OSD for user convenience

The SV-IV allows On Screen menu setting and supports multiple languages including English, Spanish, French, German, Italian and Chinese. Many models support remote control OSD via RS-485 resulting in easy, quick, user-friendly setting from the monitoring and control location.

DIS (Digital Image Stabilization)

SV-IV cameras have the capability of digitally compensating for camera shake commonly caused by wind or air handling equipment. Removing even minor vibration in the picture results in significant savings in DVR storage space.

Additional Smart Features

- 10X digital zoom
- Flexible BLC area setting
- Intelligent MD (8 zones)
- Privacy masking (8 areas)

CORE TECHNOLOGIES

W-IV, the DSP that redefines performance for video security

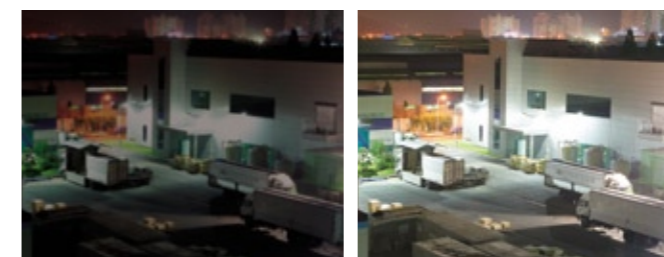


Samsung Techwin's 4th generation DSP is the engine that brings out the performance of this camera. This unique DSP provides features such as advanced 3D noise filtering and digital image stabilization which work together to reduce storage requirements by as much as 70% over conventional cameras. In addition, the W-IV DSP also provides advanced features such as Day & Night and frame integration to enhance low light performance along with features such as motion detection, privacy masking, Highlight Compensation, and image flip. These features are all programmable via onscreen menus that can be remotely set up from the remote control center.



High quality color images of 580TV lines

The W-IV camera delivers high quality 580TV lines images utilizing a unique image processing technology found only in Samsung Techwin's 4th generation DSP.



Conventional Camera

W-IV Camera

3D noise filter SSNR II for clear low light images

Managing noise is the key to achieving great results in low light. The advanced 3D noise filtering system in the W-IV allows it to provide good color in much lower lighting levels. Reducing noise in the picture also reduces the amount of storage space required to record the video on a DVR.



Conventional Camera

W-IV Camera

DIS (Digital Image Stabilization)

DIS (Digital Image Stabilization) removes image jitter that is caused by vibrations in the building. This stabilization greatly reduces the amount of hard disk space required to store images on a DVR.

Day & Night function

The W-IV utilizes Day & Night control to enhance performance in low lighting conditions. The W-IV cameras can deliver outstanding images around the clock in challenging lighting conditions.



Conventional Camera

W-IV Camera

HLC (Highlight Compensation)

The W-IV has the ability to reverse bright points of light in the picture (such as headlights) to black. This improves the ability of the entire system to display shades of grey elsewhere in the picture.



HLC Off

HLC On

Convenient Multi-language OSD

Advanced features can be easily optimized with the use of the on-screen display menus that are available in six different languages. These menus can be accessed locally at the camera via pushbuttons or remotely from an optional low cost hand-held controller, or from the monitoring location center via RS-485.

CORE TECHNOLOGIES

SSNR II (Samsung Super Noise Reduction)

Clearer & Crisper Images in Low Light

SSNR II is a state-of-the-art technology exclusively developed by Samsung Techwin. With this superior technology, a camera can provide much better low light performance by significantly reducing random and fixed noise under low illumination. With more than 30 years of manufacturing experience in this specialized field, Samsung Techwin always takes the initiative in providing customers with superior security systems through constant devotion to technical advancement.



SSNR II Off



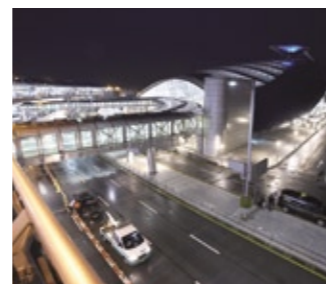
SSNR II On

Outstanding Performance in Removing Picture Noise

Noise in images is an inevitable phenomenon when cameras are used under unfavorable lighting conditions. When noise becomes significant it obscures the picture. SSNR II technology removes much more noise from the picture than conventional DNR (Digital Noise Reduction) methods. This means that cameras that have SSNR II will produce cleaner pictures and require less DVR storage space than cameras using ordinary DNR.



SSNR II Off



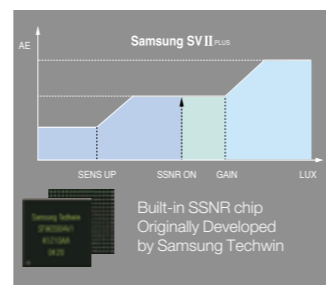
SSNR II On

Enhanced Sensitivity

Another prominent strength of the SSNR II technology is its enhanced sensitivity in lowlight situations. SSNR II-applied Cameras are superior to other 1/3" CCD cameras in terms of sensitivity. Their ability to resolve a subject in poorly-lit environments has been remarkably improved. Compare it yourself. You will agree that SSNR II equipped cameras redefine what you should expect in low light performance.



Powerful Sensitivity



Ghosting-Free Pictures

Along with picture noise, ghosting is one of the critical obstacles to obtaining a sharp and sophisticated image under a tough low-light situation. Ghosting produces a shadowy or weak image in the picture, offset to either the right or to the left of the primary image. The unique SSNR II DSP technology reduces noise without the ghosting that is associated with conventional DNR technologies.



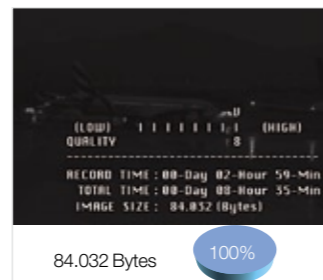
SSNR II Off



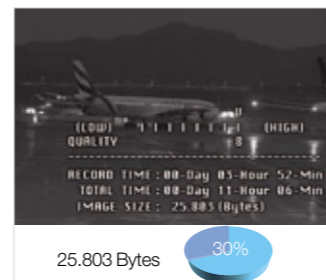
SSNR II On

Substantial Disk-Saving Effect

The SSNR II technology also has an excellent disk-saving effect. The recorded image size of an SSNR II-equipped camera is considerably smaller than that of ordinary cameras. This is because the DVR interprets noise as additional picture detail and cannot compress it effectively. Tests have shown that SSNR II technology cuts down the file size recorded on a DVR by 70 percent when using an MPEG format DVR and 40 percent with a JPEG format DVR.



SSNR II Off



SSNR II On

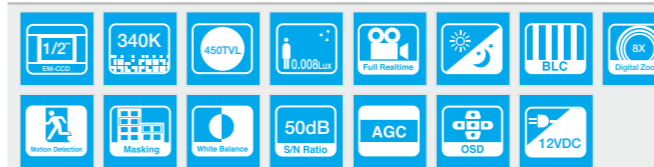
SHC-750

1/2" EM-CCD, Extreme Ultra Low Light Camera

FC CE

Overview

The SHC-750 adds a new level of performance in day & night vision, enhancing target recognition and identification under low light conditions. The camera is an extremely high sensitivity, 24-hour video camera, which is ideal for applications where there is no added lighting. It offers outstanding performance from bright sunlight to overcast starlight and below. Incorporating an electron-multiplying CCD (EM-CCD), the SHC-750 amplifies very low light signals and can reproduce color images in full motion in extreme lighting conditions. The camera delivers 450TV lines resolution with a maximum sensitivity of 0.008Lux@F1.2 in the normal color mode. This is approximately 100 times more sensitive than that of standard security cameras.

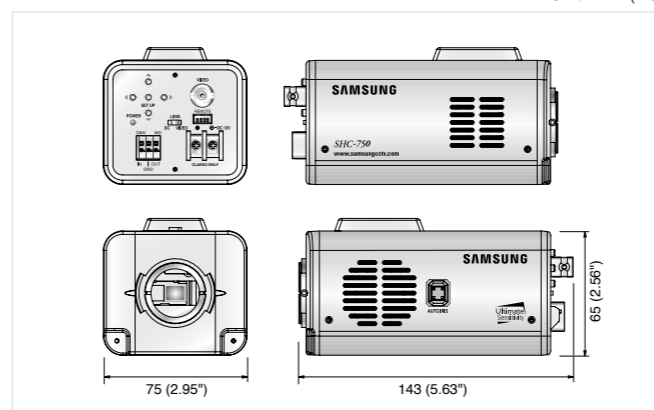


Features

- 1/2" EM-CCD (Electron Multiplying CCD)
- Capable of full-frame motion image in color in extreme low light
- SSNR digital noise reduction saves DVR storage space
- Day & Night with ICR (Infrared Cutoff Removal)
- High resolution of 450TV lines (Color), 470TV lines (B/W)
- Min. illumination of 0.008Lux@F1.2 (Color)
0.0005Lux@F1.2 (B/W)
0.00006Lux@F1.2 (Color sens-up)
- Privacy masking with 4 programmable zones
- Motion detection
- RS-485 remote setup control
- OSD (On Screen Display)
- S/N ratio of 50dB
- Voltage : 12V DC
- Included power supply : 12V DC, 4A

Dimensions

Unit : mm (inch)



Technical Specifications

		SHC-750N	SHC-750P
ELECTRICAL			
Included	Input	100V AC ~ 240V AC (50/60 Hz)	
Power Supply	Output	12V DC, 4A	
Power Consumption		Max. 16.8W	
VIDEO			
Imaging Device		1/2" EM-CCD (Electron Multiplying CCD)	
Total Pixels		680(H) x 500(V)	
Effective Pixels		658(H) x 496(V)	
Scanning System		2 : 1 Interlace	
Synchronization		Internal	
Frequency		H : 15.734kHz / V : 59.94Hz	H : 15.625kHz / V : 50Hz
Horizontal Resolution		Color : 450TV lines (Min.) / B/W : 470TV lines (Min.)	
Min. Illumination		Color : 0.008Lux (50 IRE@F1.2), 0.00006Lux (Sens-up, 128X) B/W : 0.0005Lux (50 IRE@F1.2)	
S / N (Y signal)		50dB	
Video Output		CVBS : 1.0Vp-p / 75Ω	
OPERATIONAL			
On Screen Display		Built-in	
Camera Title		On / Off	
Day & Night		Auto (ICR) / Color / B/W	
Backlight Compensation		BLC / Off	
Motion Detection		On / Off (Output via communication)	
Digital Zoom		On / Off (2X ~ 10X)	
Privacy Masking		On / Off (4 Programmable zones)	
Noise Filter (SSNR)		Low / Medium / High / Off	
Sens-up (Frame Integration)		On / Off (Selectable limit ~ 128X)	
Gain Control		Low / Medium / High / Off	
White Balance		ATW (Indoor / Outdoor) / AWC / Manual	
Electronic Shutter Speed		Auto (NTSC : 1/60 ~ 1/2,000sec, PAL : 1/50 ~ 1/2,000sec / Manual / A.FLK)	
Communication		RS-485	
Protocol		Pelco-D	
Flip		On / Off	
Mirror		On / Off	
ENVIRONMENTAL			
Operating Temperature / Humidity		-10°C ~ +50°C / 20% ~ 80% RH	
Storage Temperature / Humidity		-20°C ~ +60°C / 20% ~ 90% RH	
MECHANICAL			
Dimension (WxHxD)		75 x 65 x 143mm (2.95" x 2.56" x 5.63")	
Weight		600g (1.32 lb)	
Lens Mount		C / CS	
Certifications		FCC (Class A)	CE (Class A)

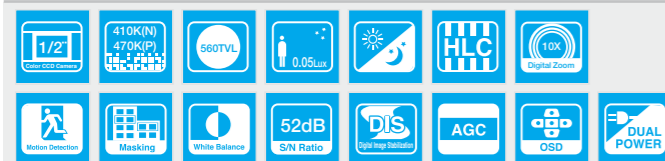
SHC-745

1/2" Ultra Low Light, High Resolution Camera



Overview

The SHC-745 is a camera that is ideal for most challenging low light applications. Using a 1/2" Ex-view CCD sensor and a built-in SV-IV DSP chipset, the SHC-745 produces the best quality images, anytime and anywhere. The SHC-745 generates ultra clear 560TV lines color pictures. It has outstanding sensitivity of 0.05Lux in color and clear picture quality in low light level environments.

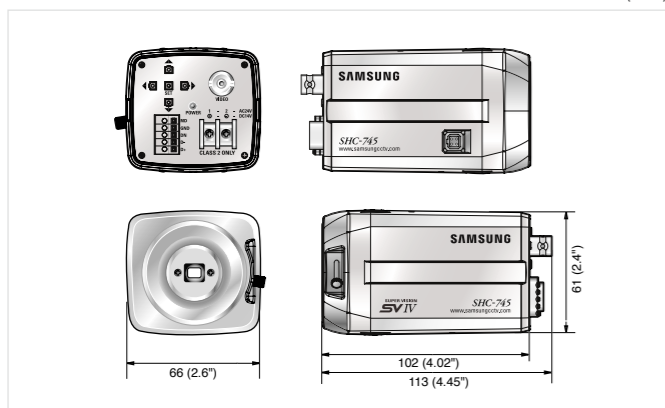


Features

- 1/2" Ex-view HAD color CCD
- Built-in SV-IV, the latest generation of SV DSP engine
- Built-in SSNR II, Upgraded 3D Noise Reduction technology
- Day & Night with ICR (Infrared Cutoff Removal)
- High resolution of 560TV lines (Color), 700TV lines (B/W)
- Min. illumination of 0.05Lux@F1.2 (Color)
0.006Lux@F1.2 (B/W)
0.00019Lux@F1.2 (Color sens-up)
- Privacy masking with 8 programmable zones
- HLC (Highlight Compensation)
- DIS (Digital Image Stabilization)
- Intelligent motion detection : 8 zones
- RS-485 remote setup control
- Multi-language OSD
- S/N ratio of 52dB
- Dual voltage : 24V AC / 12V DC
- Voltage : 230V AC (SHC-745PH)

Dimensions

Unit : mm (inch)



Technical Specifications

	SHC-745N	SHC-745P	SHC-745PH
ELECTRICAL			
Input Voltage	Dual (12V DC / 24V AC)		230V AC
Power Consumption	Max. 4.0W		
VIDEO			
Imaging Device	1/2" Ex-view HAD CCD		
Total Pixels	811(H) x 508(V)	795(H) x 596(V)	
Effective Pixels	768(H) x 494(V)	752(H) x 582(V)	
Scanning System	2 : 1 Interlace		
Synchronization	Internal / Line lock		
Frequency	H:15.734KHz / V:59.94Hz H : 15.625KHz / V : 50Hz		
Horizontal Resolution	Color : 560TV lines (Min.) / B/W : 700TV lines (Min.)		
Min. Illumination	Color : 0.05Lux (50 IRE@F1.2), 0.00019Lux (Sens-up, 256X) B/W : 0.006Lux (50 IRE@F1.2)		
S / N (Y signal)	52dB		
Video Output	CVBS : 1.0Vp-p / 75Ω		
OPERATIONAL			
On Screen Display	Built-in (Multi-language support)		
Camera Title	On / Off		
Day & Night	Auto (ICR) / Color / B/W		
Backlight Compensation	BLC / HLC / Off		
Motion Detection	On / Off (Output via communication)		
Digital Zoom	On / Off (2X ~ 10X)		
Digital Image Stabilization	On / Off		
Privacy Masking	On / Off (8 Programmable zones)		
3D Noise Filter (SSNR II)	On / Off		
Sens-up (Frame Integration)	On / Off (Selectable limit ~ 256X)		
Gain Control	Low / High / Off		
White Balance	ATW / AWC / Manual / Indoor / Outdoor		
Electronic Shutter Speed	Auto (NTSC : 1/60 ~ 1/120,000sec, PAL : 1/50 ~ 1/120,000) / Manual / A.FLK		
Communication	RS-485		
Protocol	Samsung Techwin, Pelco-D		
Flip	On / Off		
Mirror	On / Off		
ENVIRONMENTAL			
Operating Temperature / Humidity	-10°C ~ +50°C / 20% ~ 80% RH		
Storage Temperature / Humidity	-20°C ~ +60°C / 20% ~ 90% RH		
MECHANICAL			
Dimension (WxHxD)	66 x 61 x 102mm (2.6" x 2.4" x 4.02")	66 x 61 x 115mm (2.6" x 2.4" x 4.53")	
Weight	315g (0.69 lb)		
Lens Mount	C / CS		
Certifications	FCC (Class A), UL/cUL listed CE (Class A)		

SHC-737

1/3" Ultra Low Light, High Resolution Camera



NEW

Overview

Embedded with the SV-IV fourth generation DSP chip, the SHC-737 provides vivid, life-like pictures at 580TV lines high resolution. With a minimum light level of 0.05Lux, this camera captures crystal clear pictures even in the darkest places and worst conditions. Its unparalleled performance in the SHC-737 makes it perfect for places kept under strict watch like strategic defense points, airports, harbors, streets, and large industrial sites.

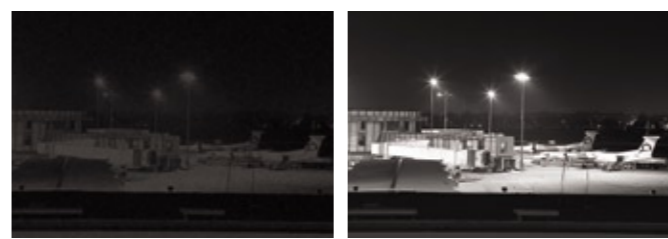


Features

- 1/3" Super HAD color CCD
- Built-in SV-IV, the latest generation of SV DSP engine
- Built-in SSNR II, Upgraded 3D Noise Reduction technology
- Day & Night with ICR (Infrared Cutoff Removal)
- High resolution of 580TV lines (Color), 700TV lines (B/W)
- Min. illumination of 0.05Lux@F1.3 (Color)
0.0025Lux@F1.3 (B/W)
0.0002Lux@F1.3 (Color sens-up)
- Privacy masking with 8 programmable zones
- HLC (Highlight Compensation)
- DIS (Digital Image Stabilization)
- Intelligent motion detection : 8 zones
- RS-485 remote setup control
- Multi-language OSD
- S/N ratio of 52dB
- Dual voltage : 24V AC / 12V DC

Ultra Low Illumination 0.05Lux

The SHC-737 is excellent in detecting lights in poor lighting conditions by increasing the sensitivity of the camera through the SV-IV, 4th generation DSP and a new CCD sensor, and performing ultra low illumination of 0.05Lux in color mode.

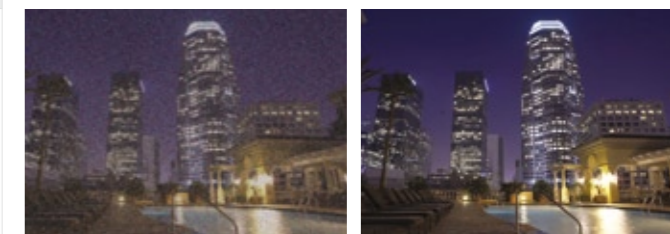


Conventional Camera

SHC-737

High quality Color Images of 580TV lines

The SHC-737 delivers high quality 580TV lines images utilizing a unique image processing technology found only in Samsung Techwin's 4th generation DSP.



Conventional Camera

SHC-737

Powerful SSNR II Superb Quality Low Illumination Images

The SHC-737 enables clear ultra low illumination images using a powerful SSNR II function with the 3D DNR method.



Conventional Camera

SHC-737

Highlight Compensation, HLC

The SHC-737 is equipped with HLC (Highlight Compensation) which reverses bright spots in the picture (such as headlights). This enables the entire system to do a better job of resolving and displaying grayscale information such as a license plate.



HLC Off

HLC On

SHC-737

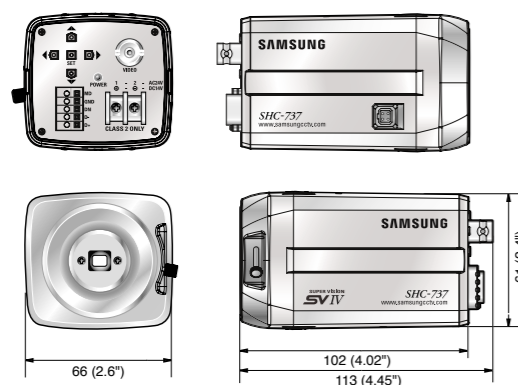
1/3" Ultra Low Light, High Resolution Camera

Technical Specifications

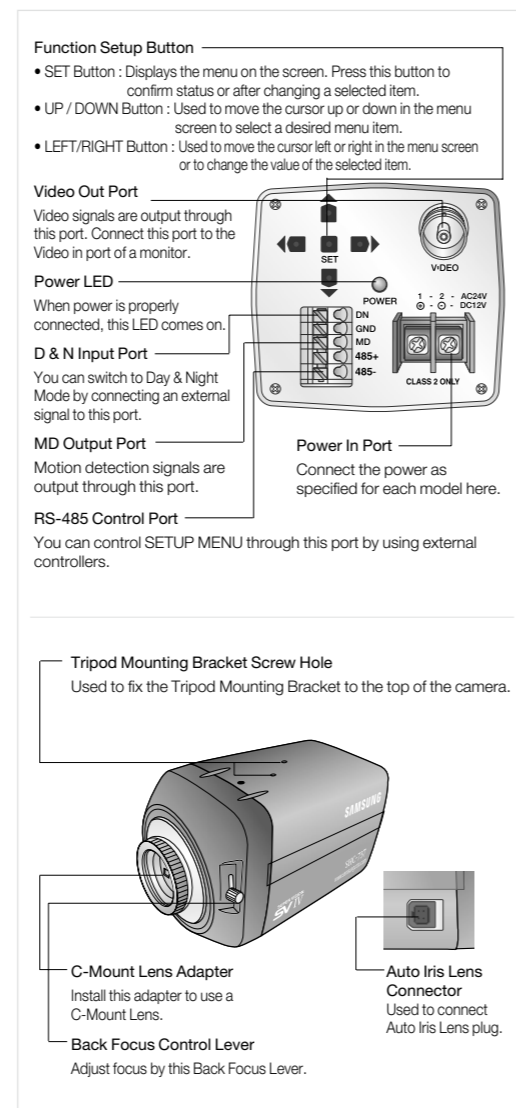
	SHC-737N	SHC-737P
ELECTRICAL		
Input Voltage	Dual (12V DC / 24V AC)	
Power Consumption	Max. 4.0W	
VIDEO		
Imaging Device	1/3" Super HAD CCD	
Total Pixels	811(H) x 508(V)	795(H) x 596(V)
Effective Pixels	768(H) x 494(V)	752(H) x 582(V)
Scanning System	2 : 1 Interlace	
Synchronization	Internal / Line lock	
Frequency	H : 15.734KHz / V : 59.94Hz H : 15.625KHz / V : 50Hz	
Horizontal Resolution	Color : 580TV lines (Min.) / B/W : 700TV lines (Min.)	
Min. Illumination	Color : 0.05Lux (50 IRE@F1.2), 0.0002Lux (Sens-up, 512X) B/W : 0.0025Lux (50 IRE@F1.2)	
S / N (Y signal)	52dB	
Video Output	CVBS : 1.0Vp-p / 75Ω	
OPERATIONAL		
On Screen Display	Built-in (Multi-language support)	
Camera Title	On / Off	
Day & Night	Auto (ICR) / Color / B/W	
Backlight Compensation	BLC / HLC / Off	
Motion Detection	On / Off (Output via communication)	
Digital Zoom	On / Off (2X ~ 10X)	
Digital Image Stabilization	On / Off	
Privacy Masking	On / Off (8 Programmable zones)	
3D Noise Filter (SSNRII)	On / Off	
Sens-up (Frame Integration)	On / Off (Selectable limit ~ 512X)	
Gain Control	Low / High / Off	
White Balance	ATW / AWC / Manual / Indoor / Outdoor	
Electronic Shutter Speed	Auto (NTSC : 1/60 ~ 1/120,000sec, PAL : 1/50 ~ 1/120,000) / Manual / A.FLK	
Communication	RS-485	
Protocol	Samsung Techwin, Pelco-D	
Flip	On / Off	
Mirror	On / Off	
ENVIRONMENTAL		
Operating Temperature / Humidity	-10°C ~ +50°C / 30% ~ 80% RH	
Storage Temperature / Humidity	-20°C ~ +60°C / 30% ~ 90% RH	
MECHANICAL		
Dimension (WxHxD)	66 x 61 x 102mm (2.6" x 2.4" x 4.02")	
Weight	315g (0.69 lb)	
Lens Mount	C / CS	
Certifications	FCC (Class A), UL/cUL listed	CE (Class A)

Dimensions

Unit : mm (inch)



Exploded view



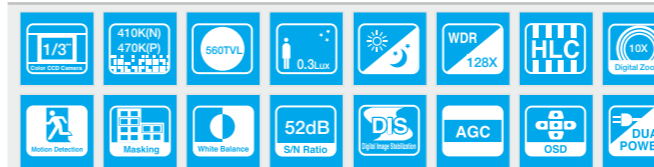
SHC-735

1/3" High Resolution, WDR Camera



Overview

The SHC-735 by Samsung Techwin is a camera with a fourth-generation SV-IV DSP engine chipset. This camera provides outstanding quality images in a wide variety of applications. The SHC-735 comes with color resolution specification of 560TV lines, a further improved WDR function for better color presentation in backlight conditions, and clear picture quality in low light level environments.

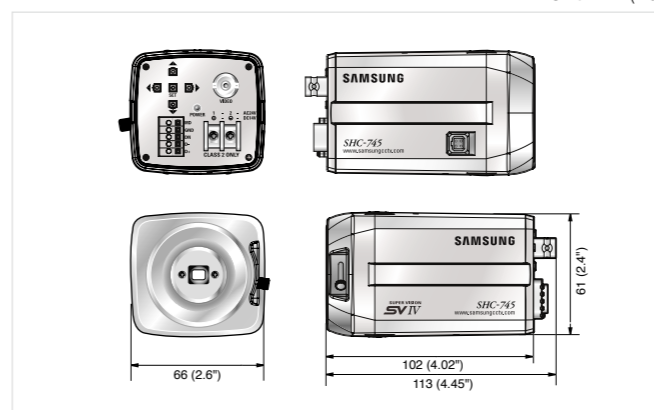


Features

- 1/3" Vertical double density color CCD
- Built-in SV-IV, the latest generation of SV DSP engine
- Powerful 128X WDR function : Max. 52dB
- Built-in SSNR II, Upgraded Noise Reduction technology
- Day & Night with ICR (Infrared Cutfilter Removal)
- Unmatched image resolution of 560TV lines (Color), 700TV lines (B/W)
- Min. illumination of 0.3Lux@F1.2 (Color)
0.01Lux@F1.2 (B/W)
0.001Lux@F1.2 (Color sens-up)
- Privacy masking with 8 programmable zones
- HLC (Highlight Compensation)
- DIS (Digital Image Stabilization)
- Intelligent MD : 8 zones
- RS-485 remote setup control
- Multi-language OSD
- S/N ratio of 52dB
- Dual voltage : 24V AC / 12V DC
- Voltage : 230V AC (SHC-735PH)

Dimensions

Unit : mm (inch)



Technical Specifications

	SHC-735N	SHC-735P	SHC-735PH
ELECTRICAL			
Input Voltage	Dual (12V DC / 24V AC)		230V AC
Power Consumption	Max. 4.0W		
VIDEO			
Imaging Device	1/3" Vertical double density interline CCD		
Total Pixels	811(H) x 508(V)	795(H) x 596(V)	
Effective Pixels	768(H) x 494(V)	752(H) x 582(V)	
Scanning System	2 : 1 Interlace		
Synchronization	Internal / Line lock		
Frequency	H:15.734KHz / V : 59.94Hz H : 15.625KHz / V : 50Hz		
Horizontal Resolution	Color : 560TV lines (Min.) / B/W : 700TV lines (Min.)		
Min. Illumination	Color : 0.3Lux (50 IRE@F1.2), 0.001Lux (Sens-up, 256X) B/W : 0.01Lux (50 IRE@F1.2)		
S / N (Y signal)	52dB		
Video Output	CVBS : 1.0Vp-p / 75Ω		
OPERATIONAL			
On Screen Display	Built-in (Multi-language support)		
Camera Title	On / Off		
Day & Night	Auto (ICR) / Color / B/W		
Backlight Compensation	WDR / BLC / HLC / Off		
Dynamic Range	52dB		
Motion Detection	On / Off (Output via communication)		
Digital Zoom	On / Off (2X ~ 10X)		
Digital Image Stabilization	On / Off		
Privacy Masking	On / Off (8 Programmable zones)		
3D Noise Filter (SSNR II)	On / Off		
Sens-up (Frame Integration)	On / Off (Selectable limit ~ 256X)		
Gain Control	Low / High / Off		
White Balance	ATW / AWC / Manual / Indoor / Outdoor		
Electronic Shutter Speed	Auto (NTSC : 1/60 ~ 1/120,000sec, PAL : 1/50 ~ 1/120,000) / Manual / A.FLK		
Communication	RS-485		
Protocol	Samsung Techwin, Pelco-D		
Flip	On / Off		
Mirror	On / Off		
ENVIRONMENTAL			
Operating Temperature / Humidity	-10°C ~ +50°C / 20% ~ 80% RH		
Storage Temperature / Humidity	-20°C ~ +60°C / 20% ~ 90% RH		
MECHANICAL			
Dimension (WxHxD)	66 x 61 x 102mm (2.6" x 2.4" x 4.02")		
Weight	315g (0.69 lb)		
Lens Mount	C / CS		
Certifications	FCC (Class A), UL/cUL listed CE (Class A)		

SDN-550

1/3" High Resolution, Day & Night Camera



Overview

The SDN-550 is a high performance camera built with Samsung Techwin's DSP chipset for outstanding image resolution and multiple capabilities. It supports powerful ICR (Infrared Cutoff Removal) Day & Night capability and the combination of 530TV lines, 0.002Lux light sensitivity, and SSNR noise reduction technology providing crystal clear image quality. The performance of the SDN-550 will be especially appreciated in huge office buildings, department stores, car parks, perimeters of major industrial facilities, or any other area that requires 24 hour high level operation.

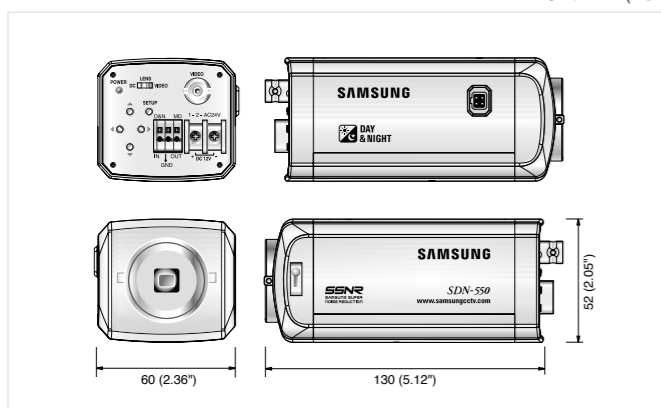


Features

- 1/3" Super HAD color CCD
- SSNR digital noise reduction saves DVR storage space
- Day & Night with ICR (Infrared Cutoff Removal)
- High resolution of 530TV lines (Color), 570TV lines (B/W)
- Min. illumination of 0.3Lux@F1.2 (Color)
0.01Lux@F1.2 (B/W)
0.002Lux@F1.2 (Color sens-up)
- Privacy masking with 4 programmable zones
- Unique BLC function : Spotlight BLC
- Motion detection
- OSD (On Screen Display)
- S/N ratio of 50dB
- Dual voltage : 24V AC / 12V DC (SDN-550N/P)
- Voltage : 230V AC (SDN-550PH)

Dimensions

Unit : mm (inch)



Technical Specifications

	SDN-550N	SDN-550P	SDN-550PH
ELECTRICAL			
Input Voltage	Dual (12V DC/ 24V AC)		230V AC (±10%)
Power Consumption	Max. 3.5W		Max. 4.0W
VIDEO			
Imaging Device	1/3" Super HAD CCD		
Total Pixels	811(H) x 508(V)	795(H) x 596(V)	
Effective Pixels	768(H) x 494(V)	752(H) x 582(V)	
Scanning System	2 : 1 Interlace		
Synchronization	Internal / Line lock		
Frequency	H:15.734KHz / V:59.94Hz H : 15.625KHz / V : 50Hz		
Horizontal Resolution	Color : 530TV lines (Min.) / B/W : 570TV lines (Min.)		
Min. Illumination	Color : 0.3Lux (50 IRE@F1.2), 0.002Lux (Sens-up, 128X) B/W : 0.01Lux (50 IRE@F1.2)		
S / N (Y signal)	50dB		
Video Output	CVBS : 1.0Vp-p / 75Ω		
OPERATIONAL			
On Screen Display	Built-in		
Camera Title	On / Off		
Day & Night	Auto (ICR) / Color / B/W		
Backlight Compensation	Low / Medium / High / Spotlight / Off		
Motion Detection	On / Off (Output via communication)		
Digital Zoom	On / Off (2X ~ 10X)		
Privacy Masking	On / Off (4 Programmable zones)		
Noise Filter (SSNR)	Low / Medium / High / Off		
Sens-up (Frame Integration)	On / Off (Selectable limit - 128X)		
Gain Control	Medium / High / Off		
White Balance	ATW / AWC / Manual		
Electronic Shutter Speed	Auto (NTSC : 1/60 - 1/120,000sec, PAL : 1/60 - 1/120,000) / Manual / A.FLK		
Flip	On / Off		
Mirror	On / Off		
ENVIRONMENTAL			
Operating Temperature / Humidity	-10°C ~ +50°C / 20% ~ 80% RH		
Storage Temperature / Humidity	-20°C ~ +60°C / 20% ~ 90% RH		
MECHANICAL			
Dimension (WxHxD)	60 x 52 x 130mm (2.36" x 2.05" x 5.12")		
Weight	350g (0.77 lb)		510g (1.12 lb)
Lens Mount	C / CS		
Certifications	FCC (Class A), UL/cUL listed CE (Class A)		



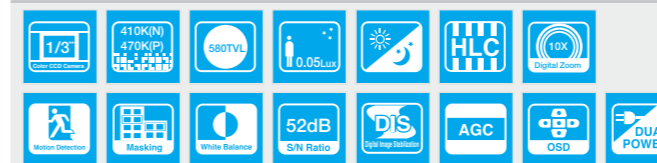
SDC-425

1/3" High Resolution, Day & Night Camera



Overview

The SDC-425 is the next generation of Samsung Techwin's popular SDC-415. Based upon the 4th generation of digital signal processing technology, the SDC-425 has the industry's highest resolution specification for a standard definition format camera. In addition to superior resolution the W-IV DSP provides for a rich set of advanced features and performance specifications that are normally found only on more expensive system cameras.

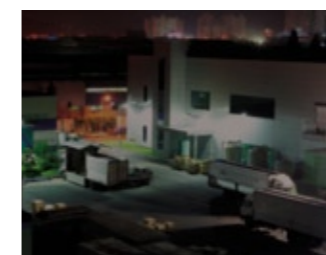


Features

- 1/3" Super HAD color CCD
- Based on W-IV, the latest generation of Winner DSP engine
- SSNRII, Upgraded 3D Noise Reduction technology
- Day & Night capability for 24/7 operation
- High resolution of 580TV lines
- Min. illumination of 0.05Lux@F1.2 (Color)
0.0002Lux@F1.2 (Color sens-up)
- Privacy masking with 8 user programmable zones
- HLC (Highlight Compensation)
- DIS (Digital Image Stabilization)
- Motion detection
- Multi-language OSD
- S/N ratio of 52dB
- Dual voltage : 24V AC / 12V DC (SDC-425N/P)
- Voltage : 12V DC (SDC-425ND/PD), 230V AC (SDC-425PH)

High quality color images of 580TV lines

The SDC-425 delivers high quality 580TV Line images utilizing a unique image processing technology found only in Samsung Techwin's 4th generation DSP.



Conventional Camera



SDC-425

The new 3D noise filter SSNRII results in a minimum illumination of 0.05Lux

Managing noise is the key to achieving great results in low light. The advanced 3D noise filtering system in the SDC-425 allows it to provide good color in much lower lighting levels. Reducing noise in the picture also reduces the amount of storage space required to record the video on a DVR.



Conventional Camera

SDC-425

Highlight compensation, HLC

The SDC-425 is equipped with HLC (Highlight Compensation) which reverses bright spots in the picture (such as headlights). This enables the entire system to do a better job of resolving and displaying grayscale information such as a license plate.

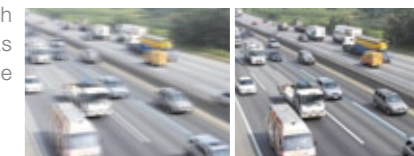


HLC Off

HLC On

DIS (Digital Image Stabilization)

The built-in DIS (Digital Image Stabilization) of the SDC-425 removes image jitter that is caused by vibrations in the building. This stabilization greatly reduces the amount of hard disk space required to store images on a DVR. Depending upon the amount of shake, DIS can reduce storage requirements by as much as half even in cameras with no apparent image jitter.



DIS Off

DIS On

Convenient multi-language OSD

The SDC-425's multi-language On Screen Display improves user convenience and enables easy access to various camera functions.



SDC-425

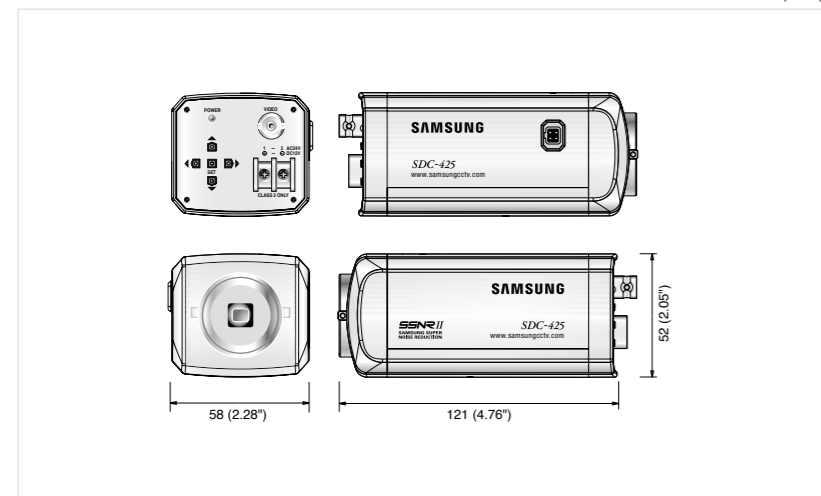
1/3" High Resolution, Day & Night Camera

Technical Specifications

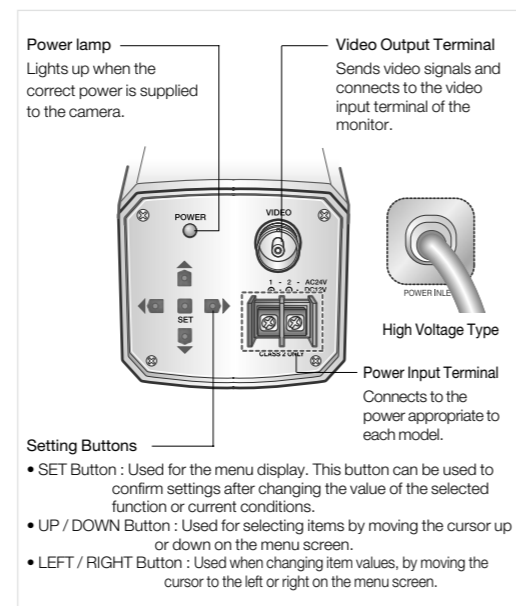
	SDC-425N	SDC-425ND	SDC-425P	SDC-425PD	SDC-425PH
ELECTRICAL					
Input Voltage	Dual (12V DC / 24V AC)	12V DC	Dual (12V DC / 24V AC)	12V DC	230V AC
Power Consumption	Max. 2.5W	Max. 3.5W	Max. 2.5W	Max. 3.5W	Max. 4.0W
VIDEO					
Imaging Device	1/3" Super HAD CCD				
Total Pixels	811(H) x 508(V)		795(H) x 596(V)		
Effective Pixels	768(H) x 494(V)		752(H) x 582(V)		
Scanning System	2 : 1 Interlace				
Synchronization	Internal / Line lock				
Frequency	H : 15.734KHz / V : 59.94Hz		H : 15.625KHz / V : 50Hz		
Horizontal Resolution	580TV lines (Min.)				
Min. Illumination	Color : 0.05Lux (50 IRE@F1.2), 0.0002Lux (Sens-up, 256X)				
S / N (Y signal)	52dB				
Video Output	CVBS : 1.0Vp-p / 75Ω				
OPERATIONAL					
On Screen Display	Built-in (Multi-language support)				
Camera Title	On / Off				
Day & Night	Auto (Electrical) / Color / B/W				
Backlight Compensation	BLC / HLC / Off				
Motion Detection	On / Off				
Digital Zoom	On / Off (2X ~ 10X)				
Digital Image Stabilization	On / Off				
Privacy Masking	On / Off (8 Programmable zones)				
3D Noise Filter (SSNRII)	On / Off				
Sens-up (Frame Integration)	On / Off (Selectable limit ~ 256X)				
Gain Control	Low / High / Off				
White Balance	ATW / AWC / Manual / Indoor / Outdoor				
Electronic Shutter Speed	Auto (NTSC : 1/60 ~ 1/120,000sec, PAL : 1/50 ~ 1/120,000) / Manual / A.FLK				
Flip	On / Off				
Mirror	On / Off				
ENVIRONMENTAL					
Operating Temperature / Humidity	-10°C ~ +50°C / 20% ~ 80% RH				
Storage Temperature / Humidity	-20°C ~ +60°C / 20% ~ 90% RH				
MECHANICAL					
Dimension (WxHxD)	58 x 52 x 121mm (2.28" x 2.05" x 4.76")				
Weight	310g (0.68 lb)	290g (0.64 lb)	310g (0.68 lb)	290g (0.64 lb)	510g (1.12 lb)
Lens Mount	C / CS				
Certifications	FCC (Class A), UL/cUL listed		FCC (Class A)		CE (Class A)

Dimensions

Unit : mm (inch)



Exploded view



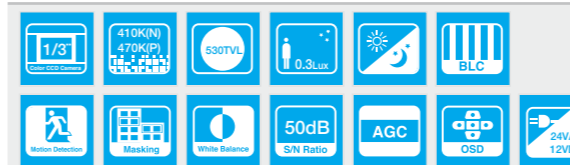
SDC-415

1/3" High Resolution, Day & Night Camera



Overview

The SDC-415 high resolution Day & Night camera realizes genuine cost effectiveness with absolutely no compromise on quality. High resolution color images during the day and equally high quality images at night, intelligent motion detection, privacy masking and on-screen display for easy setup are all supplied as standard with the SDC-415. And unique to Samsung Techwin, the camera incorporates SSNR, Samsung Super Noise Reduction technology.

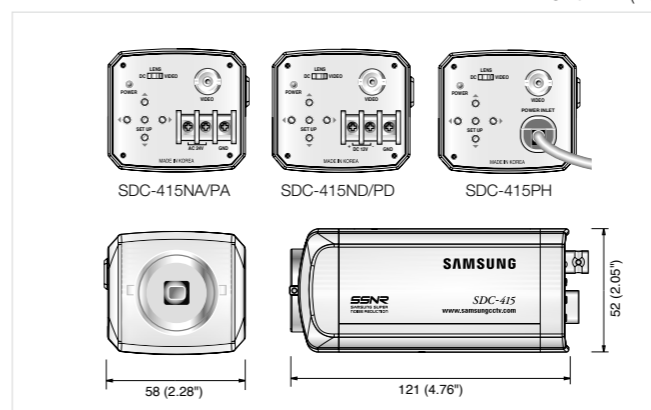


Features

- 1/3" Super HAD color CCD
- SSNR digital noise reduction saves DVR storage space
- Day & Night capability for 24/7 operation
- High resolution of 530TV lines
- Min. illumination of 0.3Lux@F1.2 (Color)
0.002Lux@F1.2 (Color sens-up)
- Privacy masking with 4 programmable zones
- Back light compensation
- Motion detection
- OSD (On Screen Display)
- S/N ratio of 50dB
- Voltage : 24V AC (SDC-415NA/PA), 12V DC (SDC-415ND/PD)
230V AC (SDC-415PH)

Dimensions

Unit : mm (inch)



Technical Specifications

	SDC-415ND	SDC-415NA	SDC-415PD	SDC-415PA	SDC-415PH
ELECTRICAL					
Input Voltage	12V DC	24V AC	12V DC	24V AC	230V AC
Power Consumption	Max. 2.5W	Max. 3.5W	Max. 2.5W	Max. 3.5W	Max. 4.0W
VIDEO					
Imaging Device	1/3" Super HAD CCD				
Total Pixels	811(H) x 508(V)		795(H) x 596(V)		
Effective Pixels	768(H) x 494(V)		752(H) x 582(V)		
Scanning System	2 : 1 Interlace				
Synchronization	Internal / Line lock				
Frequency	H : 15.734KHz / V : 59.94Hz H : 15.625KHz / V : 50Hz				
Horizontal Resolution	530TV lines (Min.)				
Min. Illumination	Color : 0.3Lux (50 IRE@F1.2), 0.002Lux (Sens-up, 128X)				
S / N (Y signal)	50dB				
Video Output	CVBS : 1.0Vp-p / 75Ω				
OPERATIONAL					
On Screen Display	Built-in				
Camera Title	On / Off				
Day & Night	On / Off (Electrical)				
Backlight Compensation	On / Off				
Motion Detection	On / Off				
Privacy Masking	On / Off (4 Programmable zones)				
Noise Filter (SSNR)	Low / Medium / High / Off				
Sens-up (Frame Integration)	On / Off (Selectable limit ~ 128X)				
Gain Control	Low / Medium / High / Off				
White Balance	ATW (Indoor / Outdoor) / AWC / Manual				
Electronic Shutter Speed	Auto (NTSC : 1/60 ~ 1/120,000sec, PAL : 1/50 ~ 1/120,000) / Manual / A.FLK				
Mirror	On / Off				
ENVIRONMENTAL					
Operating Temperature / Humidity	-10°C ~ +50°C / 20% ~ 80% RH				
Storage Temperature / Humidity	-20°C ~ +60°C / 20% ~ 90% RH				
MECHANICAL					
Dimension (WxHxD)	58 x 52 x 121mm (2.28" x 2.05" x 4.76")				
Weight	310g (0.68 lb)	290g (0.64 lb)	310g (0.68 lb)	290g (0.64 lb)	510g (1.12 lb)
Lens Mount	C / CS				
Certifications	FCC (Class A), UL/cUL listed		FCC (Class A)		CE (Class A)

SDC-313B

1/3" High Resolution Camera



Overview

The SDC-313B is a value-priced high resolution camera with absolutely no compromise on quality. High resolution color images, intelligent motion detection, privacy masking and on-screen display menus for easy setup are all supplied as standard with the SDC-313B. And unique to Samsung Techwin, the camera incorporates SSNR, Samsung Techwin's Super Noise Reduction technology that improves low light performance and saves DVR disk space.

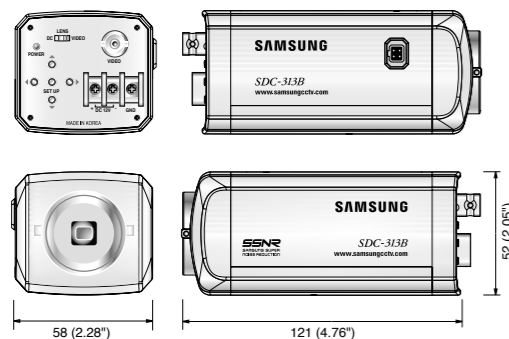


Features

- 1/3" Interline Transfer CCD
- SSNR digital noise reduction saves DVR storage space
- High resolution of 530TV lines
- Min. illumination of 0.3Lux@F1.2 (Color)
0.002Lux@F1.2 (Color sens-up)
- Privacy masking with 4 programmable zones
- Back light compensation
- Motion detection
- OSD (On Screen Display)
- S/N ratio of 50dB
- Voltage : 24V AC (SDC-313BNA)
12V DC (SDC-313BPD)

Dimensions

Unit : mm (inch)



Technical Specifications

	SDC-313BNA	SDC-313BPD
ELECTRICAL		
Input Voltage	24V AC	12V DC
Power Consumption	Max. 3.5W	Max. 2.5W
VIDEO		
Imaging Device	1/3" Interline Transfer CCD	
Total Pixels	811(H) x 508(V)	795(H) x 596(V)
Effective Pixels	768(H) x 494(V)	752(H) x 582(V)
Scanning System	2 : 1 Interlace	
Synchronization	Internal / Line lock	
Frequency	H : 15.734KHz / V : 59.94Hz	H : 15.625KHz / V : 50Hz
Horizontal Resolution	530TV lines (Min.)	
Min. Illumination	Color : 0.3Lux (50 IRE@F1.2), 0.002Lux (Sens-up, 128X)	
S / N (Y signal)	50dB	
Video Output	CVBS : 1.0Vp-p / 75Ω	
OPERATIONAL		
On Screen Display	Built-in	
Camera Title	On / Off	
Backlight Compensation	Low / Medium / High / Off	
Motion Detection	On / Off	
Privacy Masking	On / Off (4 Programmable zones)	
Noise Filter (SSNR)	Low / Medium / High / Off	
Sens-up (Frame Integration)	On / Off (Selectable limit ~ 128X)	
Gain Control	Low / Medium / High / Off	
White Balance	ATW / AWC / Manual	
Electronic Shutter Speed	Auto (NTSC : 1/60 ~ 1/120,000sec, PAL : 1/50 ~ 1/120,000) / Manual / A.FLK	
Mirror	On / Off	
ENVIRONMENTAL		
Operating Temperature / Humidity	-10°C ~ +50°C / 20% ~ 80% RH	
Storage Temperature / Humidity	-20°C ~ +60°C / 20% ~ 90% RH	
MECHANICAL		
Dimension (WxHxD)	58 x 52 x 121mm (2.28" x 2.05" x 4.76")	
Weight	340g (0.75 lb)	310g (0.68 lb)
Lens Mount	C / CS	
Certifications	FCC (Class A), UL/cUL listed	CE (Class A)

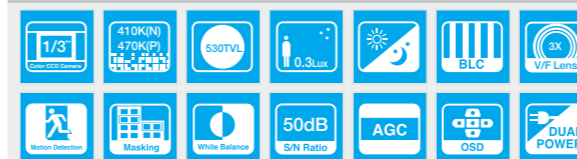
SOC-4030

1/3" High Resolution, Day & Night Camera With Built-in 3X Varifocal Lens



Overview

The SOC-4030 saves time and money by providing a high performance day & night camera that is pre-packaged with a 3-9mm varifocal auto-iris lens. With the SOC-4030 you get a nice looking camera/lens package that is easy to install, easy on the budget and yet offers a wide range of powerful features. Installers who have discovered the versatility of this camera standardize on it for all general purpose fixed applications. Study the features and you will agree that the SOC-4030 should be your standard camera for general purpose applications.

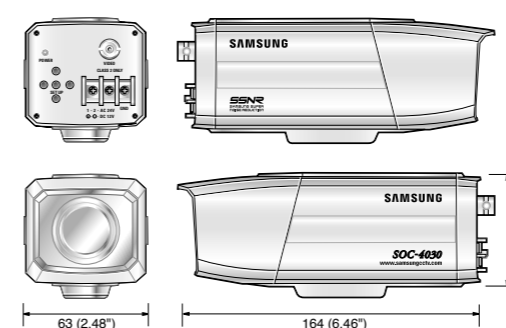


Features

- 1/3" Super HAD color CCD
- SSNR digital noise reduction saves DVR storage space
- Built-in 3X (3 ~ 9mm) varifocal lens with auto iris
- Quick & easy to install, Stylish design
- Day & Night capability for 24/7 operation
- High resolution of 530TV lines
- Min. illumination of 0.3Lux@F1.2 (Color)
0.002Lux@F1.2 (Color sens-up)
- Privacy masking with 4 programmable zones
- Back light compensation
- Motion detection
- OSD (On Screen Display)
- S/N ratio of 50dB
- Dual voltage : 24V AC / 12V DC

Dimensions

Unit : mm (inch)



Technical Specifications

	SOC-4030N	SOC-4030P
ELECTRICAL		
Input Voltage	Dual (12V DC / 24V AC)	
Power Consumption	Max. 3.5W	
VIDEO		
Imaging Device	1/3" Super HAD CCD	
Total Pixels	811(H) x 508(V)	795(H) x 596(V)
Effective Pixels	768(H) x 494(V)	752(H) x 582(V)
Scanning System	2 : 1 Interlace	
Synchronization	Internal / Line lock	
Frequency	H : 15.734KHz / V : 59.94Hz	H : 15.625KHz / V : 50Hz
Horizontal Resolution	530TV lines (Min.)	
Min. Illumination	Color : 0.3Lux (50 IRE@F1.2), 0.002Lux (Sens-up, 128X)	
S / N (Y signal)	50dB	
Video Output	CVBS : 1.0Vp-p / 75Ω	
LENS		
Zoom Ratio	3X (Manual)	
Focal Length	3 ~ 9mm (F1.2)	
Max. Aperture Ratio	1 : 1.2(Wide) ~ 2.1(Tele)	
Min. Object Distance	0.5m	
Angular Field of View	H : 90°(Wide) ~ 31.8°(Tele) / V : 66.2°(Wide) ~ 23.9°(Tele)	
Iris Control	Auto	
OPERATIONAL		
On Screen Display	Built-in	
Camera Title	On / Off	
Day & Night	On / Off (Electrical)	
Backlight Compensation	Low / Medium / High / Off	
Motion Detection	On / Off	
Privacy Masking	On / Off (4 Programmable zones)	
Noise Filter (SSNR)	Low / Medium / High / Off	
Sens-up (Frame Integration)	On / Off (Selectable limit ~ 128X)	
Gain Control	Low / Medium / High / Off	
White Balance	ATW / AWC / Manual	
Electronic Shutter Speed	Auto (NTSC : 1/60 ~ 1/120,000sec, PAL : 1/50 ~ 1/120,000) / Manual / A.FLK	
Mirror	On / Off	
ENVIRONMENTAL		
Operating Temperature / Humidity	-10°C ~ +50°C / 20% ~ 80% RH	
Storage Temperature / Humidity	-20°C ~ +60°C / 20% ~ 90% RH	
MECHANICAL		
Dimension (WxHxD)	63 x 58 x 164mm (2.48" x 2.28" x 6.46")	
Weight	310g (0.68 lb)	
Certifications	FCC (Class A), UL/cUL listed	CE (Class A)

SDZ-375

1/4" High Resolution, WDR 37X Zoom Camera

FC CE

Overview

The SDZ-375 takes the technologies that were developed for high-performance dome cameras and packaged it into a conventional "Box" camera. If the application calls for a conventional fixed or PTZ camera instead of a dome, the SDZ-375 will give you the performance you need at a fraction of the cost of the equivalent zoom lens alone. Compare the cost and performance of a high quality camera plus a 37X zoom lens, and you will understand the value that the SDZ-375 provides.

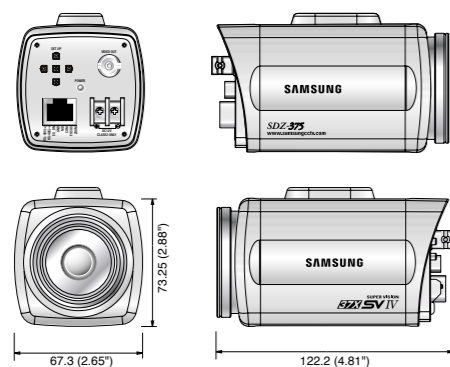


Features

- 1/4" Vertical double density color CCD
- Built-in SV-IV, the latest generation of Samsung Techwin DSP engines
- Powerful 37X optical zoom (3.5 ~ 129.5mm) and 12X digital zoom
- Powerful 128X WDR function : Max. 52dB
- SSNR II, 3D digital Noise Reduction technology
- Day & Night with ICR (Infrared Cutoff Removal)
- High resolution of 550TV lines (Color), 680TV lines (B/W)
- Min. illumination of 0.7Lux@F1.6 (Color)
0.03Lux@F1.6 (B/W)
0.002Lux@F1.6 (Color sens-up)
- Privacy masking with 8 programmable zones
- HLC (Highlight Compensation)
- DIS (Digital Image Stabilization)
- Intelligent motion detection : 8 zones
- RS-485 remote setup control
- Multi-language OSD
- S/N ratio of 50dB
- Voltage : 12V DC

Dimensions

Unit : mm (inch)



Technical Specifications

	SDZ-375N	SDZ-375P
ELECTRICAL		
Input Voltage	12V DC	
Power Consumption	Max. 3.5W	
VIDEO		
Imaging Device	1/4" Vertical double density interline CCD	
Total Pixels	811(H) x 508(V)	795(H) x 596(V)
Effective Pixels	768(H) x 494(V)	752(H) x 582(V)
Scanning System	2 : 1 Interlace	
Synchronization	Internal / Line lock	
Frequency	H : 15.734KHz / V : 59.94Hz	H : 15.625KHz / V : 50Hz
Horizontal Resolution	Color : 550TV lines (Min.) / B/W : 680TV lines (Min.) Color : 0.7Lux (50 IRE@F1.6), 0.002Lux (Sens-up, 256X) B/W : 0.03Lux (50 IRE@F1.6)	
Min. Illumination	0.7Lux@F1.6 (Color) 0.03Lux@F1.6 (B/W) 0.002Lux@F1.6 (Color sens-up)	
S / N (Y signal)	50dB	
Video Output	CVBS : 1.0Vp-p / 75Ω	
LENS		
Zoom Ratio	37X (Optical), 12X (Digital)	
Focal Length	3.5 ~ 129.5mm (F1.6 ~ 3.9)	
Max. Aperture Ratio	1 : 1.6(Wide) ~ 3.9(Tele)	
Min. Object Distance	1.5m (4.92ft)	
Angular Field of View	H : 55.5°(Wide) ~ 1.59°(Tele) / V : 42.5°(Wide) ~ 1.19°(Tele)	
Focus	Auto / Manual / One-push	
Zoom Movement Speed	2.5sec	
Iris Control	Auto / Manual	
OPERATIONAL		
On Screen Display	Built-in (Multi-language support)	
Camera Title	On / Off	
Day & Night	Auto (ICR) / Color / B/W	
Backlight Compensation	WDR / BLC / HLC / Off	
Dynamic Range	52dB	
Motion Detection	On / Off (Output via communication)	
Digital Image Stabilization	On / Off	
Privacy Masking	On / Off (8 Programmable zones)	
3D Noise Filter (SSNR II)	Low / Medium / High / Off	
Sens-up (Frame Integration)	On / Off (Selectable limit ~ 256X)	
Gain Control	Low / Medium / High / Manual / Off	
White Balance	ATW / AWC / Manual / Indoor / Outdoor	
Electronic Shutter Speed	Auto (NTSC : 1/60 ~ 1/120,000sec, PAL : 1/50 ~ 1/120,000) / Manual / A.FLK	
Communication	RS-485	
Protocol	Samsung Techwin, Pelco-D, Pelco-P, Panasonic, Honeywell, AD, Vicon, Samsung Electronics	
Flip	On / Off	
Mirror	On / Off	
ENVIRONMENTAL		
Operating Temperature / Humidity	-10°C ~ +50°C / 20% ~ 80% RH	
Storage Temperature / Humidity	-20°C ~ +60°C / 20% ~ 90% RH	
MECHANICAL		
Dimension (WxHxD)	67.3 x 73.25 x 122.2mm (2.65" x 2.88" x 4.81")	
Weight	415g (0.91 lb)	
Option	System controller, Remote controller	
Certifications	FCC (Class A)	CE (Class A)



SDZ-370

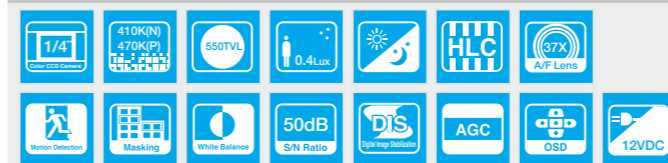
1/4" High Resolution, Day & Night 37X Zoom Camera

FC CE

NEW

Overview

Embedded with the W-IV DSP chip, the SDZ-370 provides a high video quality at 550TV lines resolution and ultra-low light levels of 0.4Lux. Its integrated high-quality lens is equipped with a powerful 37X optical zoom and 12X digital zoom, offering a maximum combined zoom power of 444X, making it well suited for monitoring broad areas that need to be under strict watch.

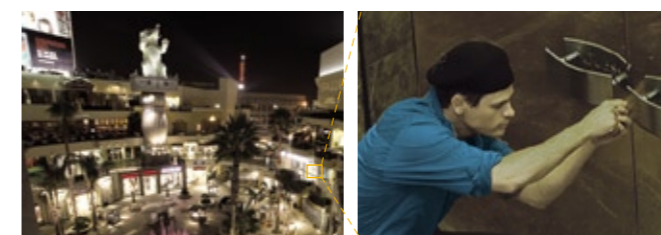


Features

- 1/4" Super HAD color CCD
- Based on W-IV, the latest generation of Winner DSP engine
- Powerful 37X optical zoom (3.5 ~ 129.5mm) and 12X digital zoom
- SSNR II, 3D digital Noise Reduction technology
- Day & Night with ICR (Infrared Cutoff Removal)
- High resolution of 550TV lines (Color), 680TV lines (B/W)
- Min. illumination of 0.4Lux@F1.6 (Color)
0.02Lux@F1.6 (B/W)
0.001Lux@F1.6 (Color sens-up)
- Privacy masking with 8 programmable zones
- HLC (Highlight Compensation)
- DIS (Digital Image Stabilization)
- Intelligent motion detection : 8 zones
- RS-485 remote setup control
- Multi-language OSD
- S/N ratio of 50dB
- Voltage : 12V DC

Highest Optical Zoom Ratio of 37X

With the industry leading 37X optical (3.5 ~ 129.5mm) auto focus zoom lens and the 12X digital zoom, the SDZ-370 can enlarge objects up to 444X.

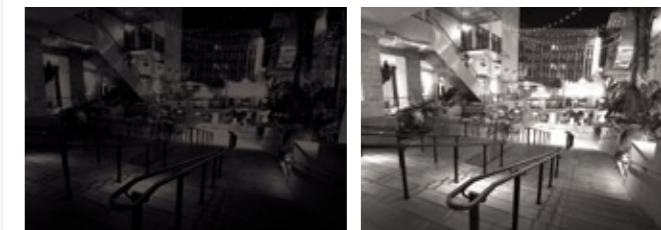


Normal

Optical 37X zoom

Strict Night Watch Capacity at Ultra Low Light Level of 0.4Lux

The SDZ-370's integrated ICR Day & Night technology implements optimal image quality automatically according to light levels, and the 256-times more powerful Sens-up feature provides an excellent ultra low light level of 0.4Lux. With our proprietary 3D noise-filtering SSNR II, this camera guarantees noise-free, crystal clear images even in the darkest places.

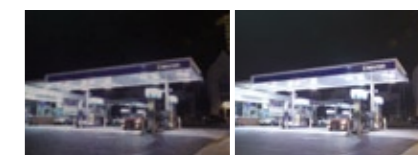


Conventional Camera

SDZ-370

Vivid Color Images at High Resolution of 550TV lines

The SDZ-370 provides a resolution of 550TV lines or higher in color and 680TV lines in black & white by utilizing a high-performance CCD image sensor and Samsung Techwin's high performance W-IV DSP chipset.



Conventional Camera

SDZ-370

Digital Image Stabilization, DIS

The SDZ-370 provides the DIS (Digital Image Stabilization) option to adjust the focus accordingly and automatically when the lens becomes unfocused due to external influences such as wind or impacts.



DIS Off

DIS On

SDZ-370

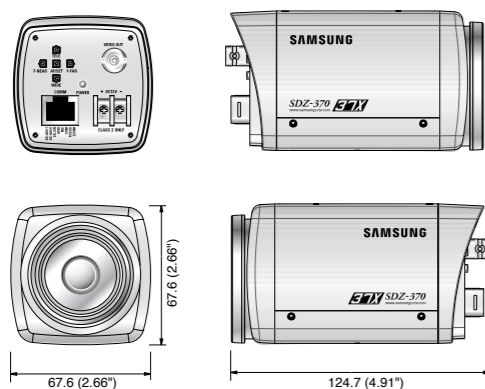
1/4" High Resolution, Day & Night 37X Zoom Camera

Technical Specifications

	SDZ-370N	SDZ-370P
ELECTRICAL		
Input Voltage	12V DC	
Power Consumption	Max. 5.1W	
VIDEO		
Imaging Device	1/4" Super HAD CCD	
Total Pixels	811(H) x 508(V)	795(H) x 596(V)
Effective Pixels	768(H) x 494(V)	752(H) x 582(V)
Scanning System	2 : 1 Interlace	
Synchronization	Internal / Line lock	
Frequency	H : 15.734KHz / V : 59.94Hz	H : 15.625KHz / V : 50Hz
Horizontal Resolution	Color : 550TV lines (Min.) / B/W : 680TV lines (Min.)	
Min. Illumination	Color : 0.4Lux (50 IRE@F1.6), 0.001Lux (Sens-up, 256X) B/W : 0.02Lux (50 IRE@F1.6)	
S / N (Y signal)	50dB	
Video Output	CVBS : 1.0Vp-p / 75Ω	
LENS		
Zoom Ratio	37X (Optical), 12X (Digital)	
Focal Length	3.5 - 129.5mm (F1.6 - 3.9)	
Max. Aperture Ratio	1 : 1.6(Wide) - 3.9(Tele)	
Min. Object Distance	1.5m (4.92ft)	
Angular Field of View	H : 55.5°(Wide) - 1.59°(Tele) / V : 42.5°(Wide) - 1.19°(Tele)	
Focus	Auto / Manual / One-push	
Zoom Movement Speed	2.5sec	
Iris Control	Auto / Manual	
OPERATIONAL		
On Screen Display	Built-in (Multi-language support)	
Camera Title	On / Off	
Day & Night	Auto (ICR) / Color / B/W	
Backlight Compensation	BLC / HLC / Off	
Motion Detection	On / Off (Output via communication)	
Digital Image Stabilization	On / Off	
Privacy Masking	On / Off (8 Programmable zones)	
3D Noise Filter (SSNR/II)	Low / Medium / High / Off	
Sens-up (Frame Integration)	On / Off (Selectable limit - 256X)	
Gain Control	Low / Medium / High / Manual / Off	
White Balance	ATW / AWC / Manual / Indoor / Outdoor	
Electronic Shutter Speed	Auto (NTSC : 1/60 - 1/120,000sec, PAL : 1/50 - 1/120,000) / Manual / A.FLK	
Communication	RS-485	
Protocol	Samsung Techwin, Pelco-D, Pelco-P, Panasonic, Honeywell, AD, Vicon, Bosch	
Flip	On / Off	
Mirror	On / Off	
ENVIRONMENTAL		
Operating Temperature / Humidity	-10°C ~ +50°C / 20% ~ 80% RH	
Storage Temperature / Humidity	-20°C ~ +60°C / 20% ~ 95% RH	
MECHANICAL		
Dimension (WxHxD)	67.6 x 67.6 x 124.7mm (2.66" x 2.66" x 4.91")	
Weight	450g (0.99 lb)	
Option	Remote controller	
Certifications	FCC (Class A)	CE (Class A)

Dimensions

Unit : mm (inch)



Exploded view

Function Setup Button

Following buttons control zoom, focus, and auto focus functions.

- WIDE button : To widen the view. (Zoom out)
- TELE button : To close in on a far object. (Zoom in)
- F-NEAR button : To see a near object clearly.
- F-FAR button : To see a far object clearly.

Pressing the 'SET' button locks the zoom control function of these buttons and prompts the main setup menu. Main setup menu can be navigated using these buttons.

- SET : To access the main setup menu.
- UP (TELE button) : To move the arrow indicator to up.
- DOWN (WIDE button) : To move the arrow indicator to down.
- LEFT (F-NEAR button) : To move the arrow indicator to left.
- RIGHT (F-FAR button) : To move the arrow indicator to right.

Video Output Jack

Used to connect an external video monitor in jack.

Power LED

Illuminates when power is supplied.

RJ-45 JACK

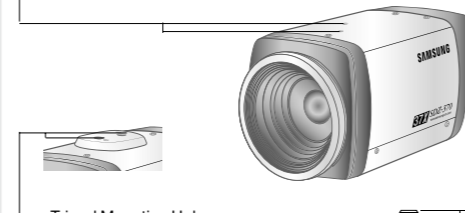
Terminals, such as RS-485 communications, MD OUT, ZOOM, and FOCUS, EX_DN are included.

Power Input Terminal

Power supply terminal (12V DC ±10%).

Tripod Mounting Bracket Screw Hole

Used to fix the Tripod Mounting Bracket to the top of the camera.



Tripod Mounting Hole

Used to install the camera on an optional tripod. The tripod must be equipped with screws with specifications shown on the right.

Attach the bracket to the top of the camera. Use screws included in the package or their equivalent (less than 6mm). Otherwise, the bracket may not assemble to the camera properly.

Optional Controller

Remote Controller

SCC-101



SIR-4150

1/3" Day & Night, IR LED Camera with Built-in Varifocal Lens



Overview

The SIR-4150 is a complete environmental camera package. It is a fully integrated camera, with 3.8 ~ 9.5mm V/F AI lens and IR illuminator built into an IP65 rated enclosure with sunshield. During daytime operation, the camera produces crisp 520 line resolution color images. At night, the camera switches to black and white mode, removes the IR cut filter, and illuminates the scene up to 30M (98ft) away without any added lighting. The IP65 rating means that the enclosure will protect the camera against dust or water.



Acknowledged as 'Recommended' by Benchmark Magazine's Independent Testing

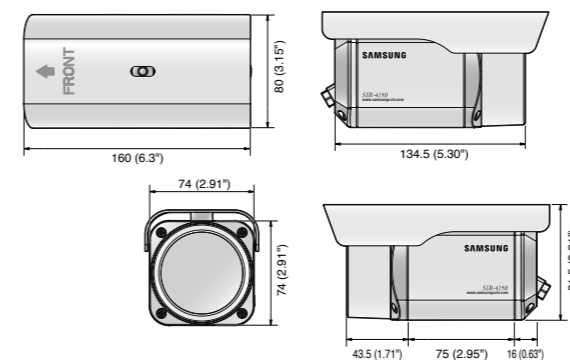


Features

- 1/3" Super HAD color CCD
- Built-in 2.5X (3.8 ~ 9.5mm) varifocal lens with auto iris
- Built-in high-performance IR LEDs
- SSNR digital noise reduction saves DVR storage space
- Day & Night with ICR (Infrared Cutfilter Removal)
- High resolution of 520TV lines (Color), 570TV lines (B/W)
- Min. illumination of 0Lux@F1.2 (LED on)
0.3Lux@F1.2 (Color)
0.002Lux@F1.2 (Color sens-up)
- Privacy masking with 4 programmable zones
- Built-in Weather Proof Housing (IP65), Sunshield
- Motion detection
- RS-485 remote setup control
- OSD (On Screen Display)
- S/N ratio of 50dB
- Voltage : 12V DC
- Included power supply : 12V DC, 4A

Dimensions

Unit : mm (inch)



Technical Specifications

	SIR-4150N	SIR-4150P
ELECTRICAL		
Included Input	100V AC ~ 240V AC (50/60HZ)	
Power Supply Output	12V DC, 4A	
Power Consumption	Max. 5.5W (LED On)	
VIDEO		
Imaging Device	1/3" Super HAD CCD	
Total Pixels	811(H) x 508(V)	795(H) x 596(V)
Effective Pixels	768(H) x 494(V)	752(H) x 582(V)
Scanning System	2 : 1 Interlace	
Synchronization	Internal	
Frequency	H : 15.734KHz / V : 59.94Hz	H : 15.625KHz / V : 50Hz
Horizontal Resolution	Color : 520TV lines (Min.) / B/W : 570TV lines (Min.)	
Min. Illumination	Color : 0.3Lux (50 IRE@F1.2), 0.002Lux (Sens-up, 128X) B/W : 0Lux (LED on)	
S / N (Y signal)	50dB	
Video Output	CVBS : 1.0Vp-p / 75Ω	
LENS		
Zoom Ratio	2.5X (Manual)	
Focal Length	3.8 - 9.5mm (F1.2)	
Max. Aperture Ratio	1 : 1.2(Wide) ~ 2.1(Tele)	
Min. Object Distance	0.2m (0.66ft)	
Angular Field of View	H : 73.5°(Wide) ~ 29.7°(Tele) / V : 53.9°(Wide) ~ 22.3°(Tele)	
Iris Control	Auto	
OPERATIONAL		
On Screen Display	Built-in	
Camera Title	On / Off	
Day & Night	Auto (ICR) / Color / B/W	
Backlight Compensation	Low / Medium / High / Off	
Motion Detection	On / Off	
Privacy Masking	On / Off (4 Programmable zones)	
Noise Filter (SSNR)	Low / Medium / High / Off	
Sens-up (Frame Integration)	On / Off (Selectable limit - 128X)	
Gain Control	Low / High / Off	
White Balance	ATW / AWC / Manual	
Electronic Shutter Speed	Fixed (1/60 / Flickerless)	Fixed (1/50 / Flickerless)
Communication	RS-485	
Protocol	Pelco-D	
Mirror	On / Off	
ENVIRONMENTAL		
Operating Temperature / Humidity	-10°C ~ +50°C / 20% ~ 80% RH	
Storage Temperature / Humidity	-20°C ~ +60°C / 20% ~ 95% RH	
MECHANICAL		
Dimension (WxHxD)	74 x 74 x 134.5mm (2.91" x 2.91" x 5.3")	
Weight	585g (1.29 lb)	
IR LED	24ea	
IR Distance	30m (98ft)	
Ingress Protection	IP65	
Certifications	FCC (Class A)	CE (Class A)

SPD-3750/3750T

1/4" High Performance, WDR 37X PTZ Dome Camera

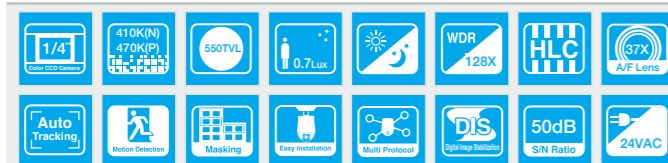


NEW



Overview

The SPD-3750/3750T are the newest and most advanced model in Samsung Techwin's line of PTZ dome cameras. The SPD-3750/3750T brings the benefits of SV-IV DSP technology along with an industry-leading 37X optical zoom lens into our dome line. Wide dynamic range and digital image stabilization are just a few of the advanced features in the 3750. With the incorporation of advanced SSNR II 3D noise reduction technology, the SPD-3750/3750T achieves excellent low light performance while reducing DVR storage space by as much as 70%.

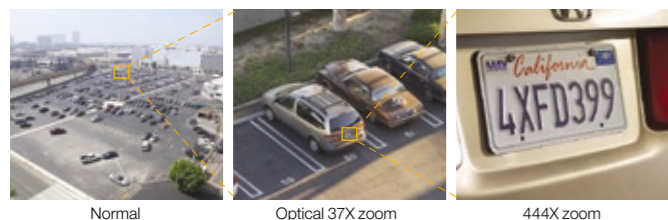


Features

- 1/4" Vertical double density color CCD
- Built-in SV-IV, the latest generation of SV DSP engine
- Powerful 37X optical zoom (3.5 ~ 129.5mm) and 12X digital zoom
- Powerful 128X WDR function : Max. 52dB
- SSNR II, digital 3D noise reduction technology
- Day & Night with ICR (Infrared Cutoff Removal)
- High resolution of 550TV lines (Color), 680TV lines (B/W)
- Min. illumination of 0.7Lux@F1.6 (Color)
0.03Lux@F1.6 (B/W)
0.002Lux@F1.6 (Color sens-up)
- Privacy masking with 8 programmable zones
- HLC (Highlight Compensation) • DIS (Digital Image Stabilization)
- Programmable 255 preset positions • Multiple protocol support
- Automatic scene tour functions • Auto tracking support (SPD-3750T)
- Max. 500°/sec pan speed and 360° continuous rotation
- Motion detection • RS-485/422 remote setup control
- Multi-language OSD • S/N ratio of 50dB
- Voltage : 24V AC

37X Optical Zoom, Max 444X Combined Zoom

The built-in auto focus zoom in the SPD-3750/3750T models offer 37X (3.5 ~ 129.5mm) to capture distant objects clearly, and a combined optical/digital zoom up to 444X for broad area monitoring.



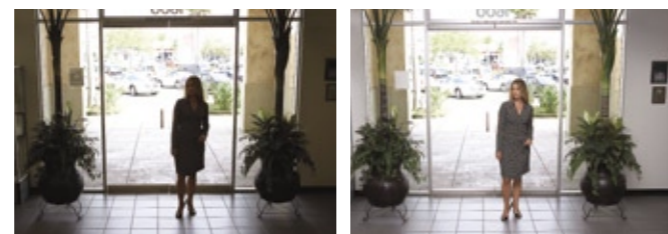
Auto Tracking (SPD-3750T)

The SPD-3750T's Intelligent Auto Tracking lets the camera recognize and follow moving objects, human or vehicular, for automatic monitoring.



128X More Powerful WDR

The 128X more powerful WDR (Wide Dynamic Range) with pixel image analysis provides a crystal clear view of backlit objects and places under direct sunlight, making these cameras well suited for building entrances, as well as airport and terminal lobbies.



Quick & Simple Connection

The SPD-3750/3750T have press tabs on both sides of the body, enabling quick and simple, connection to and removal from the dome mount.



SPD-3750/3750T

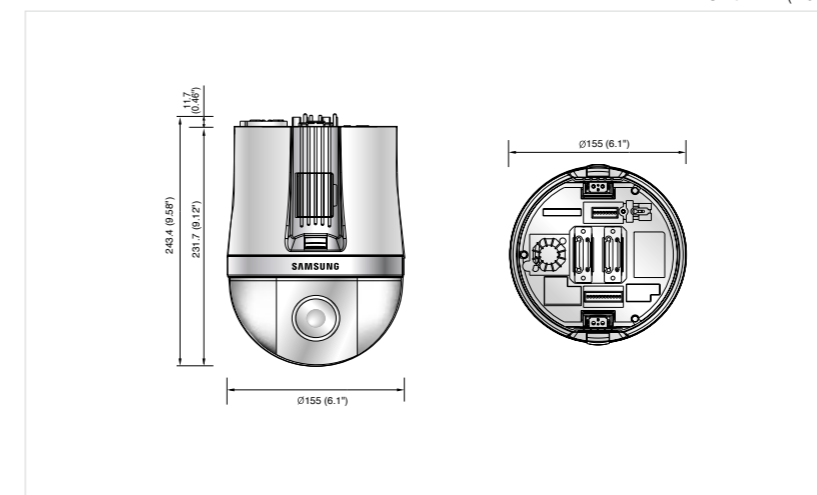
1/4" High Performance, WDR 37X PTZ Dome Camera

Technical Specifications

	SPD-3750N/SPD-3750TN	SPD-3750P/SPD-3750TP
ELECTRICAL		
Input Voltage	24V AC	
Power Consumption	Max. 15W	
VIDEO		
Imaging Device	1/4" Vertical double density interline CCD	
Total Pixels	811(H) x 508(V)	795(H) x 596(V)
Effective Pixels	768(H) x 494(V)	752(H) x 582(V)
Scanning System	2 : 1 Interlace	
Synchronization	Internal / AC line lock	
Frequency	H : 15.734KHz / V : 59.94Hz	H : 15.625KHz / V : 50Hz
Horizontal Resolution	Color : 550TV lines (Min.) / B/W : 680TV lines (Min.)	
Min. Illumination	Color : 0.7Lux (50 IRE@F1.6), 0.002Lux (Sens-up, 256X) B/W : 0.03Lux (50 IRE@F1.6)	
S / N (Y signal)	50dB	
Video Output	CVBS : 1.0Vp-p / 75Ω	
LENS		
Zoom Ratio	37X (Optical), 12X (Digital)	
Focal Length	3.5 ~ 129.5mm (F1.6 ~ 3.9)	
Max. Aperture Ratio	1 : 1.6(Wide) ~ 3.9(Tele)	
Min. Object Distance	1.8m (5.91ft)	
Angular Field of View	H : 55.5°(Wide) ~ 1.59°(Tele) / V : 42.5°(Wide) ~ 1.19°(Tele)	
Focus	Auto / Manual / One-push	
Zoom Movement Speed	2.5sec	
Iris Control	Auto / Manual	
PAN / TILT		
Auto Tracking	Built-in (SPD-3750T Only)	
Pan Range	360° Endless	
Pan Speed	Preset : 500°/sec / Manual : 0.024°/sec ~ 120°/sec (Proportional zoom ratio)	
Tilt Range	-6° ~ 186°	
Tilt Speed	Preset : 500°/sec / Manual : 0.024°/sec ~ 120°/sec (Proportional zoom ratio)	
Preset Positions	255	
Preset Accuracy	±0.1°	
PTZ Mode	Preset, Swing, Group, Tour, Track (Track is applied to SPD-3750T only)	
OPERATIONAL		
On Screen Display	Built-in (Multi-language support)	
Camera Title	On / Off	
ID (Camera Address)	1 ~ 255	
Day & Night	Auto (ICR) / Color / B/W	
Backlight Compensation	WDR / BLC / HLC / Off	
Dynamic Range	52dB	
Motion Detection	On / Off	
Digital Image Stabilization	On / Off	
Privacy Masking	On / Off (8 Programmable zones)	
3D Noise Filter (SSNR II)	Low / Medium / High / Off	
Sens-up (Frame Integration)	Auto / Off (Selectable limit ~ 256X)	
Gain Control	Low / Medium / High / Manual / Off	
White Balance	ATW / AWC / Manual / Indoor / Outdoor	
Electronic Shutter Speed	Auto (NTSC : 1/60 ~ 1/120,000sec, PAL : 1/50 ~ 1/120,000) / Manual / A.FLK	
Communication	RS-485/422	
Protocol	Samsung Techwin, Pelco-D, Pelco-P, Panasonic, Honeywell, AD, Vicon, Samsung Electronics	
Alarm	4 In, 2 Out, 1 Aux	
Auto Digital Flip	On / Off	
ENVIRONMENTAL		
Operating Temperature / Humidity	-10°C ~ +50°C / 20% ~ 80% RH	
Storage Temperature / Humidity	-20°C ~ +60°C / 20% ~ 95% RH	
MECHANICAL		
Dimension (WxH)	Ø155 x 243.4mm (Ø6.1" x 9.58")	
Weight	2Kg (4.41 lb)	
Ingress Protection	IP67 (Optional housing)	
Certifications	FCC (Class A), UL/cUL listed	CE (Class A)

Dimensions

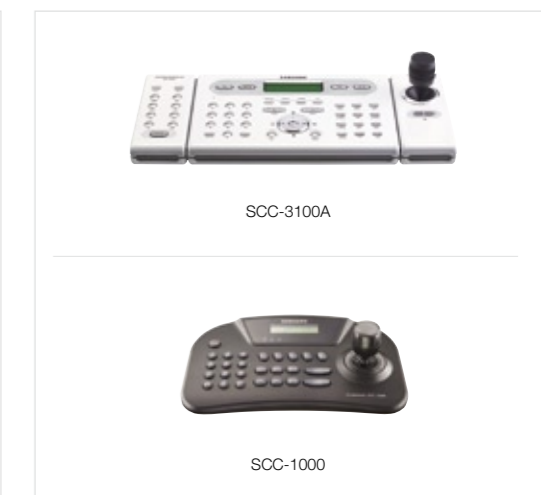
Unit : mm (inch)



Accessories

Outdoor Housing	Indoor / Outdoor Housing
STH-380PO	STH-370PO/PI/360PO
In-Ceiling Housing	Ceiling Mount
STH-370PE	STB-370PC
Wall Mount	Pendant Mount
STB-270PWW	STB-496PPV
Indoor Flange	Ceiling Flange
STB-25PF	STB-30PF
Wall Setup Box	Pole Mount
STB-270B	STB-330PPM
Corner Mount	Parapet Mount
STB-340PCM	STB-350PPM

Optional Controller



SPD-3350

1/4" High Performance, WDR 33X PTZ Dome Camera

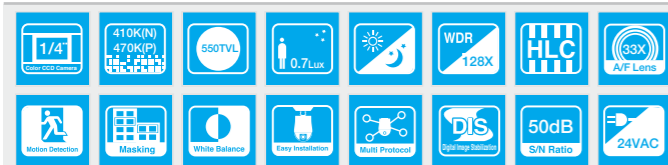


NEW



Overview

The SPD-3350 is essentially the same as the SPD-3750 except for the fact that the camera has a 33X zoom lens instead of a 37X. In all other respects, the 3350 is the same as the SPD-3750. If the extra zoom range is not an issue, the SPD-3350 would be the right choice.



Technical Specifications

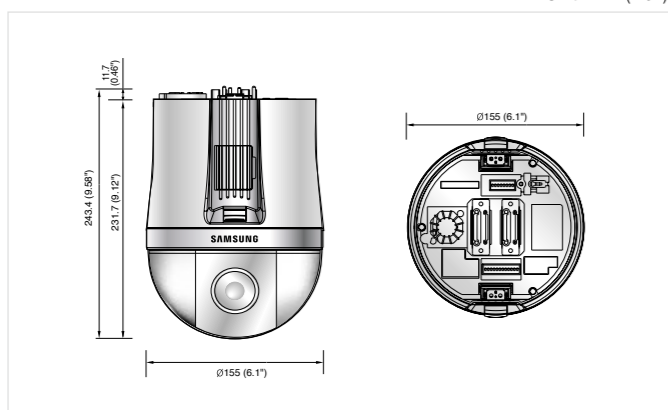
	SPD-3350N	SPD-3350P
ELECTRICAL		
Input Voltage	24V AC	
Power Consumption	Max. 15W	
VIDEO		
Imaging Device	1/4" Vertical double density interline CCD	
Total Pixels	811(H) x 508(V)	795(H) x 596(V)
Effective Pixels	768(H) x 494(V)	752(H) x 582(V)
Scanning System	2 : 1 Interlace	
Synchronization	Internal / AC line lock	
Frequency	H : 15.734KHz / V : 59.94Hz	H : 15.625KHz / V : 50Hz
Horizontal Resolution	Color : 550TV lines (Min.) / B/W : 680TV lines (Min.)	
Min. Illumination	Color : 0.7Lux (50 IRE@F1.6), 0.002Lux (Sens-up, 256X) B/W : 0.03Lux (50 IRE@F1.6)	
S / N (Y signal)	50dB	
Video Output	CVBS : 1.0Vp-p / 75Ω	
LENS		
Zoom Ratio	33X (Optical), 12X (Digital)	
Focal Length	3.5 ~ 115.5mm (F1.6 ~ 3.6)	
Max. Aperture Ratio	1 : 1.6 (Wide) ~ 3.6 (Tele)	
Min. Object Distance	1.8m (5.91ft)	
Angular Field of View	H : 55.5° (Wide) ~ 1.77° (Tele) / V : 42.5° (Wide) ~ 1.33° (Tele)	
Focus	Auto / Manual / One-push	
Zoom Movement Speed	2.4sec	
Iris Control	Auto / Manual	
PAN / TILT		
Pan Range	360° Endless	
Pan Speed	Preset : 500°/sec / Manual : 0.024°/sec ~ 120°/sec (Proportional Zoom Ratio)	
Tilt Range	-6° ~ 186°	
Tilt Speed	Preset : 500°/sec / Manual : 0.024°/sec ~ 120°/sec (Proportional Zoom Ratio)	
Preset Positions	255	
Preset Accuracy	±0.1°	
PTZ Mode	Preset, Swing, Group, Tour	
OPERATIONAL		
On Screen Display	Built-in (Multi-language support)	
Camera Title	On / Off	
ID (Camera Address)	1 ~ 255	
Day & Night	Auto (ICR) / Color / B/W	
Backlight Compensation	WDR / BLC / HLC / Off	
Dynamic Range	52dB	
Motion Detection	On / Off	
Digital Image Stabilization	On / Off	
Privacy Masking	On / Off (8 Programmable zones)	
3D Noise Filter (SSNR II)	Low / Medium / High / Off	
Sens-up (Frame Integration)	On / Off (Selectable limit ~ 256X)	
Gain Control	Low / Medium / High / Manual / Off	
White Balance	ATW / AWCC / Manual / Indoor / Outdoor	
Electronic Shutter Speed	Auto (NTSC : 1/60 ~ 1/120,000sec, PAL : 1/50 ~ 1/120,000) / Manual / A.FLK	
Communication	RS-485/422	
Protocol	Samsung Techwin, Pelco-D, Pelco-P, Panasonic, Honeywell, AD, Vicon, Samsung Electronics	
Alarm	4 In, 2 Out, 1 Aux	
Auto Digital Flip	On / Off	
ENVIRONMENTAL		
Operating Temperature / Humidity	-10°C ~ +50°C / 20% ~ 80% RH	
Storage Temperature / Humidity	-20°C ~ +60°C / 20% ~ 95% RH	
MECHANICAL		
Dimension (WxH)	Ø155 x 243.4mm (Ø6.1" x 9.58")	
Weight	2Kg (4.41 lb)	
Ingress Protection	IP67 (Optional housing)	
Certifications	FCC (Class A), UL/cUL listed	CE (Class A)

Features

- 1/4" Vertical double density color CCD
- Built-in SV-IV, the latest generation of SV DSP engine
- Powerful 33X optical zoom (3.5 ~ 115.5mm) and 12X digital zoom
- Powerful 128X WDR function : Max. 52dB
- SSNR II, digital 3D noise reduction technology
- Day & Night with ICR (Infrared Cutoff Filter Removal)
- High resolution of 550TV lines (Color), 680TV lines (B/W)
- Min. illumination of 0.7Lux@F1.6 (Color)
0.03Lux@F1.6 (B/W)
0.002Lux@F1.6 (Color sens-up)
- Privacy masking with 8 programmable zones
- HLC (Highlight Compensation) • DIS (Digital Image Stabilization)
- Programmable 255 preset positions • Multiple protocol support
- Automatic scene tour functions
- Max. 500°/sec pan speed and 360° continuous rotation
- Motion detection • RS-485/422 remote setup control
- Multi-language OSD • S/N ratio of 50dB
- Voltage : 24V AC

Dimensions

Unit : mm (inch)



SPD-3700/3700T

1/4" Low Light, High Resolution 37X PTZ Dome Camera

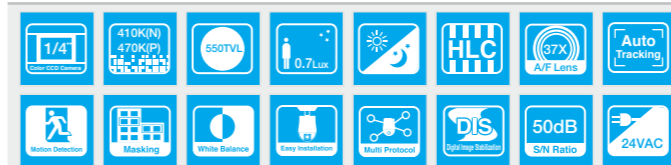


NEW



Overview

The SPD-3700 and 3700T PTZ dome cameras provide exceptional video quality at 550TV lines or higher horizontal resolutions and at ultra-low light levels of 0.4Lux. Their 37X optical and 12X digital zooms combine for zooming up to 444X, bringing distant objects in close for clear viewing. These premium PTZ cameras pack a variety of convenient extras like a high Pan/Tilt speed of 500° per second, DIS (Digital Image Stabilization), and multiple language OSD.

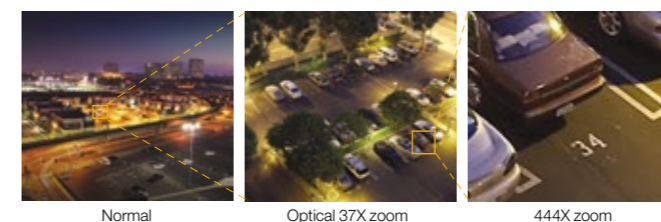


Features

- 1/4" Super HAD color CCD
- Based on W-IV, the latest generation of Winner DSP engine
- Powerful 37X optical zoom (3.5 ~ 129.5mm) and 12X digital zoom
- SSNR II, digital 3D noise reduction technology
- Day & Night with ICR (Infrared Cutoff Filter Removal)
- High resolution of 550TV lines (Color), 680TV lines (B/W)
- Min. illumination of 0.4Lux@F1.6 (Color)
0.02Lux@F1.6 (B/W)
0.001Lux@F1.6 (Color sens-up)
- Privacy masking with 8 programmable zones
- HLC (Highlight Compensation) • DIS (Digital Image Stabilization)
- Programmable 255 preset positions • Multiple protocol support
- Automatic scene tour functions
- Auto tracking support (SPD-3700T)
- Max. 500°/sec pan speed and 360° continuous rotation
- Motion detection • RS-485/422 remote setup control
- Multi-language OSD • S/N ratio of 50dB
- Voltage : 24V AC

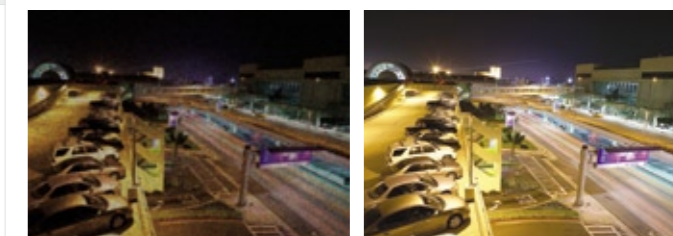
37X Optical Zoom, Max 444X Combined Zoom

The built-in auto focus zoom in the SPD-3700/3700T models offer 37X (3.5 ~ 129.5mm) to capture distant objects clearly, and a combined optical/digital zoom up to 444X for broad area monitoring.



0.4Lux Ultra-Low Light Levels

The ICR Day & Night capabilities in these cameras provide optimal video quality day or night, and the ultra-low light levels of 0.4Lux ensure clear object recognition in complete darkness.



Conventional Camera

SPD-3700T/3700

Quick & Simple Connection

The SPD-3700/3700T have press tabs on both sides of the body, enabling quick and simple, connection to and removal from the dome mount.



Various Exclusive Accessories

A variety of exclusive accessories for ceilings, walls, poles, corners, and railings are available for customized installations.



Pendant

Wall

Side Pole

Corner

Parapet

SPD-3700/3700T

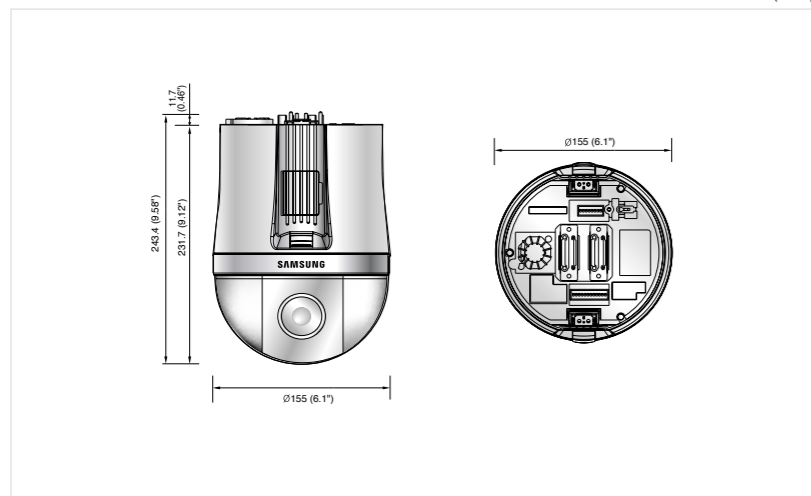
1/4" Low Light, High Resolution 37X PTZ Dome Camera

Technical Specifications













	SPD-3700N/SPD-3700TN	SPD-3700P/SPD-3700TP
ELECTRICAL		
Input Voltage	24V AC	
Power Consumption	Max. 15W	
VIDEO		
Imaging Device	1/4" Super HAD CCD	
Total Pixels	811(H) x 508(V)	795(H) x 596(V)
Effective Pixels	768(H) x 494(V)	752(H) x 582(V)
Scanning System	2 : 1 Interlace	
Synchronization	Internal / AC line lock	
Frequency	H : 15.734KHz / V : 59.94Hz	H : 15.625KHz / V : 50Hz
Horizontal Resolution	Color : 550TV lines (Min.) / B/W : 680TV lines (Min.)	
Min. Illumination	Color : 0.4Lux (50 IRE@F1.6), 0.001Lux (Sens-up, 256X) B/W : 0.02Lux (50 IRE@F1.6)	
S / N (Y signal)	50dB	
Video Output	CVBS : 1.0Vp-p / 75Ω	
LENS		
Zoom Ratio	37X (Optical), 12X (Digital)	
Focal Length	3.5 ~ 129.5mm (F1.6 ~ 3.9)	
Max. Aperture Ratio	1 : 1.6(Wide) ~ 3.9(Tele)	
Min. Object Distance	1.9m (6.23ft)	
Angular Field of View	H : 55.5°(Wide) ~ 1.59°(Tele) / V : 42.5°(Wide) ~ 1.19°(Tele)	
Focus	Auto / Manual / One-push	
Zoom Movement Speed	2.5sec	
Iris Control	Auto / Manual	
PAN / TILT		
Auto Tracking	Built-in (SPD-3700T Only)	
Pan Range	360° Endless	
Pan Speed	Preset : 500°/sec / Manual : 0.024°/sec ~ 120°/sec (Proportional zoom ratio)	
Tilt Range	-6° ~ 186°	
Tilt Speed	Preset : 500°/sec / Manual : 0.024°/sec ~ 120°/sec (Proportional zoom ratio)	
Preset Positions	255	
Preset Accuracy	±0.1°	
PTZ Mode	Preset, Swing, Group, Tour, Track (Track is applied to SPD-3700T only)	
OPERATIONAL		
On Screen Display	Built-in (Multi-language support)	
Camera Title	On / Off	
ID (Camera Address)	1 ~ 255	
Day & Night	Auto (ICR) / Color / B/W	
Backlight Compensation	BLC / HLC / Off	
Motion Detection	On / Off	
Digital Image Stabilization	On / Off	
Privacy Masking	On / Off (8 Programmable zones)	
3D Noise Filter (SSNR II)	Low / Medium / High / Off	
Sens-up (Frame Integration)	Auto / Off (Selectable limit ~ 256X)	
Gain Control	Low / Medium / High / Manual / Off	
White Balance	ATW / AWC / Manual / Indoor / Outdoor	
Electronic Shutter Speed	Auto (NTSC : 1/60 ~ 1/120,000sec, PAL : 1/50 ~ 1/120,000) / Manual / A.FLK	
Communication	RS-485/422	
Protocol	Samsung Techwin, Pelco-D, Pelco-P, Panasonic, Honeywell, AD, Vicon, Samsung Electronics	
Alarm	4 In, 2 Out, 1 Aux	
Auto Digital Flip	On / Off	
ENVIRONMENTAL		
Operating Temperature / Humidity	-10°C ~ +50°C / 20% ~ 80% RH	
Storage Temperature / Humidity	-20°C ~ +60°C / 20% ~ 95% RH	
MECHANICAL		
Dimension (WxH)	Ø155 x 243.4mm (Ø6.1" x 9.58")	
Weight	2Kg (4.41 lb)	
Ingress Protection	IP67 (Optional housing)	
Certifications	FCC (Class A), UL/cUL listed	CE (Class A)

Dimensions

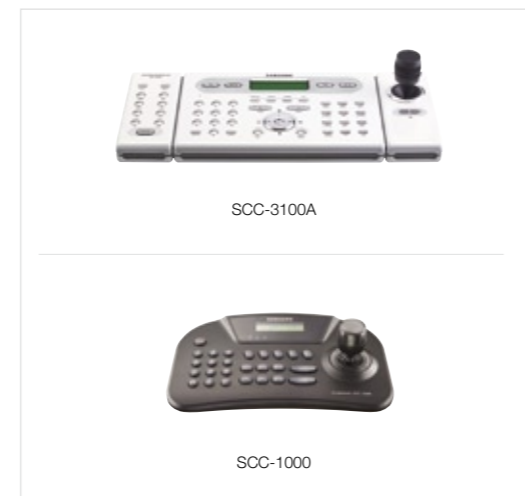
Unit : mm (inch)



Accessories

Outdoor Housing	Indoor / Outdoor Housing
	
STH-380PO	STH-370PO/PI/360PO
In-Ceiling Housing	Ceiling Mount
	
STH-370PE	STB-370PC
Wall Mount	Pendant Mount
	
STB-270PW	STB-496PPV
Indoor Flange	Ceiling Flange
	
STB-25PF	STB-30PF
Wall Setup Box	Pole Mount
	
STB-270B	STB-330PPM
Corner Mount	Parapet Mount
	
STB-340PCM	STB-350PPM

Optional Controller



SPD-3310

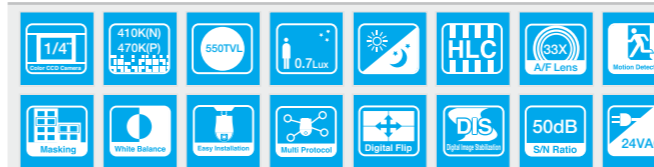
1/4" Low Light, High Resolution 33X PTZ Dome Camera



NEW

Overview

With its embedded W-IV DSP chip, the sturdy SPD-3310 PTZ camera's upgraded noise reduction, 33X optical zoom, 550TV lines, and DIS let you reliably view the fine details of a scene. With a 500° per second pan/tilt and 360° rotation, nothing escapes the view of this camera.

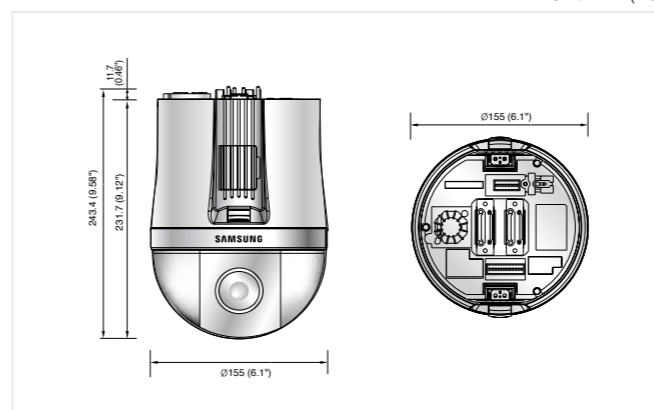


Features

- 1/4" Super HAD color CCD
- Based on W-IV, the latest generation of Winner DSP engine
- Powerful 33X optical zoom (3.5 ~ 115.5mm) and 12X digital zoom
- SSNR II, digital 3D noise reduction technology
- Day & Night with ICR (Infrared Cutoff Filter Removal)
- High resolution of 550TV lines (Color), 680TV lines (B/W)
- Min. illumination of 0.4Lux@F1.6 (Color)
0.02Lux@F1.6 (B/W)
0.001Lux@F1.6 (Color sens-up)
- Privacy masking with 8 programmable zones
- HLC (Highlight Compensation)
- DIS (Digital Image Stabilization)
- Programmable 255 preset positions • Multiple protocol support
- Automatic scene tour functions
- Max. 500°/sec pan speed and 360° continuous rotation
- Motion detection • RS-485/422 remote setup control
- Multi-language OSD • S/N ratio of 50dB
- Voltage : 24V AC

Dimensions

Unit : mm (inch)



Technical Specifications

	SPD-3310N	SPD-3310P
ELECTRICAL		
Input Voltage	24V AC	
Power Consumption	Max. 13W	
VIDEO		
Imaging Device	1/4" Super HAD CCD	
Total Pixels	811(H) x 508(V)	795(H) x 596(V)
Effective Pixels	768(H) x 494(V)	752(H) x 582(V)
Scanning System	2 : 1 Interlace	
Synchronization	Internal / AC line lock	
Frequency	H : 15.734KHz / V : 59.94Hz	H : 15.625KHz / V : 50Hz
Horizontal Resolution	Color : 550TV lines (Min.) / B/W : 680TV lines (Min.)	
Min. Illumination	Color : 0.4Lux (50 IRE@F1.6), 0.001Lux (Sens-up, 256X) B/W : 0.02Lux (50 IRE@F1.6)	
S / N (Y signal)	50dB	
Video Output	CVBS : 1.0Vp-p / 75Ω	
LENS		
Zoom Ratio	33X (Optical), 12X (Digital)	
Focal Length	3.5 ~ 115.5mm (F1.6 ~ 3.6)	
Max. Aperture Ratio	1 : 1.6 (Wide) ~ 3.6 (Tele)	
Min. Object Distance	1.9m (6.23ft)	
Angular Field of View	H : 55.5°(Wide) ~ 1.77°(Tele) / V : 42.5°(Wide) ~ 1.33°(Tele)	
Focus	Auto / Manual / One-push	
Zoom Movement Speed	2.5sec	
Iris Control	Auto / Manual	
PAN / TILT		
Pan Range	360° Endless	
Pan Speed	Preset : 500°/sec / Manual : 0.024°/sec ~ 120°/sec (Proportional Zoom Ratio)	
Tilt Range	-6° ~ 186°	
Tilt Speed	Preset : 500°/sec / Manual : 0.024°/sec ~ 120°/sec (Proportional Zoom Ratio)	
Preset Positions	255	
Preset Accuracy	±0.1°	
PTZ Mode	Preset, Swing, Group, Tour	
OPERATIONAL		
On Screen Display	Built-in (Multi-language support)	
Camera Title	On / Off	
ID (Camera Address)	1 ~ 255	
Day & Night	Auto (ICR) / Color / B/W	
Backlight Compensation	BLC / HLC / Off	
Motion Detection	On / Off	
Digital Image Stabilization	On / Off	
Privacy Masking	On / Off (8 Programmable zones)	
3D Noise Filter (SSNR II)	Low / Medium / High / Off	
Sens-up (Frame Integration)	On / Off (Selectable limit ~ 256X)	
Gain Control	Low / Medium / High / Manual / Off	
White Balance	ATW / AWC / Manual / Indoor / Outdoor	
Electronic Shutter Speed	Auto (NTSC : 1/60 ~ 1/120,000sec, PAL : 1/50 ~ 1/120,000) / Manual / A.FLK	
Communication	RS-485/422	
Protocol	Samsung Techwin, Pelco-D, Pelco-P, Panasonic, Honeywell, AD, Vicon, Samsung Electronics	
Alarm	4 In, 2 Out, 1 Aux	
Auto Digital Flip	On / Off	
ENVIRONMENTAL		
Operating Temperature / Humidity	-10°C ~ +50°C / 20% ~ 80% RH	
Storage Temperature / Humidity	-20°C ~ +60°C / 20% ~ 95% RH	
MECHANICAL		
Dimension (WxH)	Ø155 x 243.4mm (Ø6.1" x 9.58")	
Weight	2Kg (4.41 lb)	
Ingress Protection	IP67 (Optional housing)	
Certifications	FCC (Class A), UL/cUL listed	CE (Class A)

SPD-2700

1/4" Low Light, High Resolution 27X PTZ Dome Camera

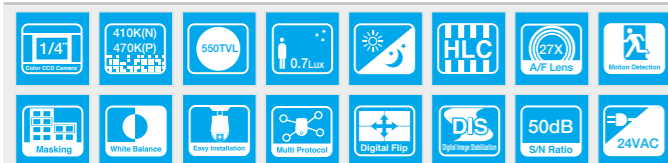


NEW



Overview

The SPD-2700 PTZ dome camera is equipped with the W-IV DSP chip. Its 27X (3.5 ~ 94.5mm) optical zoom lens and 12X digital zoom offers a combined zoom of 324X. This camera's high-quality image of 550TV lines resolution and ICR Day & Night technology make it versatile enough to be used anywhere, yet still well suited for places that require tight security.

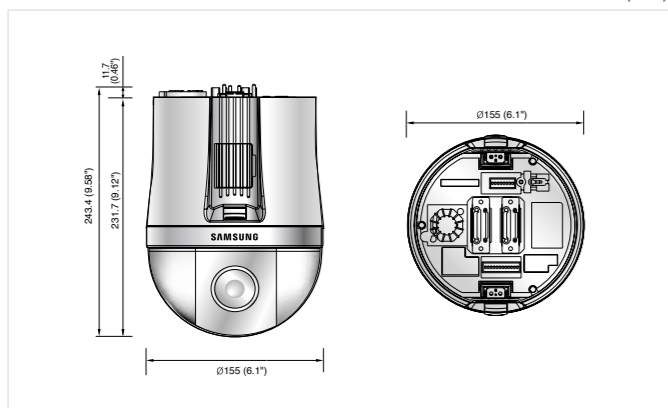


Features

- 1/4" Super HAD color CCD
- Based on W-IV, the latest generation of Winner DSP engine
- Powerful 27X optical zoom (3.5 ~ 94.5mm) and 12X digital zoom
- SSNR II, digital 3D noise reduction technology
- Day & Night with ICR (Infrared Cutoff Filter Removal)
- High resolution of 550TV lines (Color), 680TV lines (B/W)
- Min. illumination of 0.4Lux@F1.6 (Color)
0.02Lux@F1.6 (B/W)
- Privacy masking with 8 programmable zones
- HLC (Highlight Compensation)
- DIS (Digital Image Stabilization)
- Programmable 255 preset positions • Multiple protocol support
- Automatic scene tour functions
- Max. 500°/sec pan speed and 360° continuous rotation
- Motion detection • RS-485/422 remote setup control
- Multi-language OSD • S/N ratio of 50dB
- Voltage : 24V AC

Dimensions

Unit : mm (inch)



Technical Specifications

	SPD-2700N	SPD-2700P
ELECTRICAL		
Input Voltage	24V AC	
Power Consumption	Max. 13W	
VIDEO		
Imaging Device	1/4" Super HAD CCD	
Total Pixels	811(H) x 508(V)	795(H) x 596(V)
Effective Pixels	768(H) x 494(V)	752(H) x 582(V)
Scanning System	2 : 1 Interlace	
Synchronization	Internal / AC line lock	
Frequency	H : 15.734KHz / V : 59.94Hz	H : 15.625KHz / V : 50Hz
Horizontal Resolution	Color : 550TV lines (Min.) / B/W : 680TV lines (Min.)	
Min. Illumination	Color : 0.4Lux (50 IRE@F1.6), 0.001Lux (Sens-up, 256X) B/W : 0.02Lux (50 IRE@F1.6)	
S / N (Y signal)	50dB	
Video Output	CVBS : 1.0Vp-p / 75Ω	
LENS		
Zoom Ratio	27X (Optical), 12X (Digital)	
Focal Length	3.5 ~ 95.8mm (F1.6 ~ 2.9)	
Max. Aperture Ratio	1 : 1.6 (Wide) ~ 3.6 (Tele)	
Min. Object Distance	1.9m (6.23ft)	
Angular Field of View	H : 55.5°(Wide) ~ 2.24°(Tele) / V : 42.5°(Wide) ~ 1.79°(Tele)	
Focus	Auto / Manual / One-push	
Zoom Movement Speed	2.5sec	
Iris Control	Auto / Manual	
PAN / TILT		
Pan Range	360° Endless	
Pan Speed	Preset : 500°/sec / Manual : 0.024°/sec ~ 120°/sec (Proportional Zoom Ratio)	
Tilt Range	-6° ~ 186°	
Tilt Speed	Preset : 500°/sec / Manual : 0.024°/sec ~ 120°/sec (Proportional Zoom Ratio)	
Preset Positions	255	
Preset Accuracy	±0.1°	
PTZ Mode	Preset, Swing, Group, Tour	
OPERATIONAL		
On Screen Display	Built-in (Multi-language support)	
Camera Title	On / Off	
ID (Camera Address)	1 ~ 255	
Day & Night	Auto (ICR) / Color / B/W	
Backlight Compensation	BLC / HLC / Off	
Motion Detection	On / Off	
Digital Image Stabilization	On / Off	
Privacy Masking	On / Off (8 Programmable zones)	
3D Noise Filter (SSNR II)	Low / Medium / High / Off	
Sens-up (Frame Integration)	On / Off (Selectable limit ~ 256X)	
Gain Control	Low / Medium / High / Manual / Off	
White Balance	ATW / AWC / Manual / Indoor / Outdoor	
Electronic Shutter Speed	Auto (NTSC : 1/60 ~ 1/120,000sec, PAL : 1/50 ~ 1/120,000) / Manual / A.FLK	
Communication	RS-485/422	
Protocol	Samsung Techwin, Pelco-D, Pelco-P, Panasonic, Honeywell, AD, Vicon, Samsung Electronics	
Alarm	4 In, 2 Out, 1 Aux	
Auto Digital Flip	On / Off	
ENVIRONMENTAL		
Operating Temperature / Humidity	-10°C ~ +50°C / 20% ~ 80% RH	
Storage Temperature / Humidity	-20°C ~ +60°C / 20% ~ 95% RH	
MECHANICAL		
Dimension (WxH)	Ø155 x 243.4mm (Ø6.1" x 9.58")	
Weight	2Kg (4.41 lb)	
Ingress Protection	IP67 (Optional housing)	
Certifications	FCC (Class A), UL/cUL listed	CE (Class A)

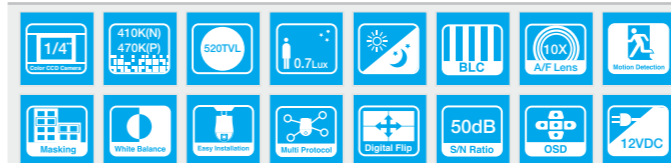
SPD-1000

1/4" High Resolution, Interior 10X PTZ Camera



Overview

The SPD-1000 is an indoor variable speed PTZ camera system that is powerful yet economical. It provides 10X zoom capability with a rich set of system features that make it the right choice for a wide variety of indoor applications including : department stores, office buildings and schools.

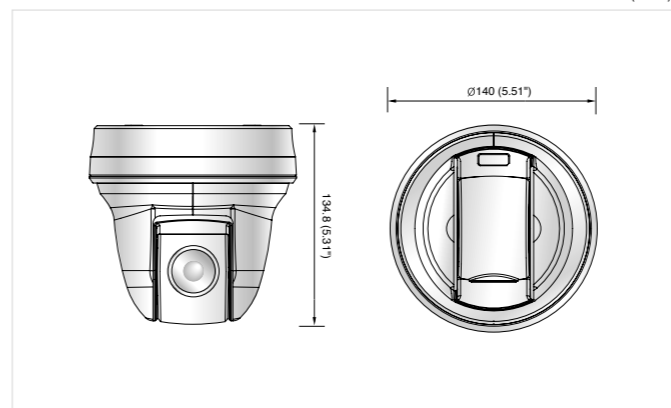


Features

- 1/4" Interline transfer color CCD
- Powerful 10X optical zoom and 10X digital zoom
- SSNR digital noise reduction saves DVR storage space
- Day & Night with ICR (Infrared Cutoff Filter Removal)
- High resolution of 520TV lines (Color), 570TV lines (B/W)
- Min. illumination of 0.7Lux@F1.8 (Color)
0.02Lux@F1.8 (B/W)
0.005Lux@F1.8 (Color sens-up)
- Privacy masking with 4 programmable zones
- Multiple protocol support
- Simple installation
- 128 Programmable preset positions
- Automatic scene tour functions
- Motion detection
- RS-485 remote setup control
- Multi-language OSD
- S/N ratio of 50dB
- Voltage : 12V DC
- Included power supply : 12V DC, 4A

Dimensions

Unit : mm (inch)



Technical Specifications

	SPD-1000N	SPD-1000P
ELECTRICAL		
Included Input	100V AC ~ 240V AC (50/60HZ)	
Power Supply Output	12V DC, 4A	
Power Consumption	Max. 6W	
VIDEO		
Imaging Device	1/4" Interline transfer CCD	
Total Pixels	811(H) x 508(V)	795(H) x 596(V)
Effective Pixels	768(H) x 494(V)	752(H) x 582(V)
Scanning System	2 : 1 Interlace	
Synchronization	Internal	
Frequency	H : 15.734KHz / V : 59.94Hz	H : 15.625KHz / V : 50Hz
Horizontal Resolution	Color : 520TV lines (Min.) / B/W : 570TV lines (Min.)	
Min. Illumination	Color : 0.7Lux (50 IRE@F1.8), 0.005Lux (Sens-up, 128X) B/W : 0.02Lux (50 IRE@F1.8)	
S / N (Y signal)	50dB	
Video Output	CVBS : 1.0Vp-p / 75Ω	
LENS		
Zoom Ratio	10X (Optical), 10X (Digital)	
Focal Length	3.8 ~ 38mm (F1.8)	
Max. Aperture Ratio	1 : 1.6(Wide) ~ 2.8(Tele)	
Min. Object Distance	1.5m (4.92ft)	
Angular Field of View	H : 51.2°(Wide) ~ 5.58°(Tele) / V : 39.3°(Wide) ~ 4.27°(Tele)	
Focus	Auto / Manual / One-push	
Zoom Movement Speed	1.67sec	
Iris Control	Auto / Manual	
PAN / TILT		
Pan Range	350°	
Pan Speed	Preset : 140°/sec / Manual : 0.5° ~ 70°/sec	
Tilt Range	-5° ~ 185°	
Tilt Speed	Preset : 100°/sec / Manual : 0.5° ~ 50°/sec	
Preset Positions	128	
Preset Accuracy	±1.0°	
PTZ Mode	Preset, Swing, Group, Tour, Trace, A. Pan	
OPERATIONAL		
On Screen Display	Built-in	
Camera Title	On / Off	
ID (Camera Address)	1 ~ 253	
Day & Night	Auto (ICR) / Color / B/W	
Backlight Compensation	On / Off	
Motion Detection	On / Off	
Privacy Masking	On / Off (4 Programmable zones)	
Noise Filter (SSNR)	Low / Medium / High / Off	
Sens-up (Frame Integration)	Auto / Off (Selectable limit ~ 128X)	
Gain Control	Low / Medium / High / Off	
White Balance	ATW / AWC / Manual / Indoor / Outdoor	
Electronic Shutter Speed	Auto (NTSC : 1/60 ~ 1/120,000sec, PAL : 1/50 ~ 1/120,000) / Manual / A.FLK	
Communication	RS-485	
Protocol	Samsung Techwin, Pelco-D, Pelco-P, Panasonic, Honeywell, AD, Vicon, Samsung Electronics, Bosch, Sungin	
Alarm	2 In, 1 Out	
Auto Digital Flip	On / Off	
ENVIRONMENTAL		
Operating Temperature / Humidity	-10°C ~ +50°C / 20% ~ 80% RH	
Storage Temperature / Humidity	-20°C ~ +60°C / 20% ~ 95% RH	
MECHANICAL		
Dimension (WxH)	Ø140 x 134.8mm (Ø5.51" x 5.31")	
Weight	0.8Kg (1.76 lb)	
Ingress Protection	IP67 (Optional housing)	
Certifications	FCC (Class A)	CE (Class A)

SVD-4600/4600W

1/3" High Resolution, WDR Vandal-Resistant Dome Camera



Overview

The SVD-4600/4600W are a vandal-resistant indoor/outdoor dome camera that consists of a die-cast body and a polycarbonate dome cover. It has Samsung Techwin's 4th generation DSP chipset SV-IV built in to give excellent low light performance, ICR Day & Night, and 128X WDR features. It is a versatile dome camera for both indoor and outdoor applications. It provides additional features such as SSNR II digital noise reduction, multiple-language OSD setup menus and DIS image stabilization.



SVD-4600

SVD-4600W



Features

- 1/3" Vertical double density color CCD
- Built-in SV-IV, the latest generation of SV DSP engine
- Built-in 3.6X (2.8 ~ 10mm) varifocal lens with auto iris
- Powerful 128X WDR function : Max. 52dB
- Built-in SSNR II, digital 3D noise reduction technology
- Day & Night with ICR (Infrared Cutoff Removal)
- High resolution of 560TV lines (Color), 700TV lines (B/W)
- Min. illumination of 0.3Lux@F1.2 (Color)
0.01Lux@F1.2 (B/W)
0.001Lux@F1.2 (Color sens-up)
- Privacy masking with 8 programmable zones
- HLC (Highlight Compensation) • DIS (Digital Image Stabilization)
- IP66 Protection against rain & wind
- Rugged, high impact polycarbonate dome cover and aluminum body
- Two types of installation (Flush or Surface Mount)
- Motion detection • RS-485 remote setup control
- Multi-language OSD • S/N ratio of 52dB
- Dual voltage : 24V AC / 12V DC

Ultra High Resolution

The SVD-4600/4600W are equipped with SV-IV DSP to give excellent 560TV lines resolution in color and 700TV lines for B/W.



Conventional Camera

SVD-4600

Wide Dynamic Range

The SVD-4600/4600W are a Wide Dynamic Range (WDR) camera. It compensates for backlight conditions 128 times more effectively than conventional cameras that rely on BLC alone. It is able to do this by applying advanced intra-frame image processing which uses high speed shutter in bright areas and lower speed shutter in dark areas. This method of WDR does not produce the picture artifacts or tradeoffs found in other methods of WDR.



WDR Off

WDR On

Excellent Low Light Performance

The SV-IV DSP engine provides the industry's best digital 3D noise reduction system, called SSNR II. Managing noise is the key to low light performance, and this is why the SVD-4600/4600W requires only 0.3Lux to produce a good color picture. Low noise means savings on DVR storage space as well.



Conventional Camera

SVD-4600

Vandal-Resistant, High Strength Dome

Since the SVD-4600/4600W are encased in a die-cast aluminum body and polycarbonate dome cover, it is able to withstand an 8Kg impact test, showing excellent durability.



Impact Test

IP66-certified Dust and Waterproof

The SVD-4600/4600W are Certified to meet IP66 international dust/water proof standards. This means that the SVD-4600/4600W are also an ideal choice for harsh environments.



SVD-4600/4600W

1/3" High Resolution, WDR Vandal-Resistant Dome Camera

Technical Specifications

	SVD-4600N/SVD-4600WN	SVD-4600P/SVD-4600PW
ELECTRICAL		
Input Voltage	Dual (12V DC/ 24V AC)	
Power Consumption	Max. 3.5W	
VIDEO		
Imaging Device	1/3" Vertical double density interline CCD	
Total Pixels	811(H) x 508(V)	795(H) x 596(V)
Effective Pixels	768(H) x 494(V)	752(H) x 582(V)
Scanning System	2 : 1 Interlace	
Synchronization	Internal / Line lock	
Frequency	H : 15.734KHz / V : 59.94Hz	H : 15.625KHz / V : 50Hz
Horizontal Resolution	Color : 560TV lines (Min.) / B/W : 700TV lines (Min.)	
Min. Illumination	Color : 0.3Lux (50 IRE@F1.2), 0.001Lux (Sens-up, 256X) B/W : 0.01Lux (50 IRE@F1.2)	
S / N (Y signal)	52dB	
Video Output	CVBS : 1.0Vp-p / 75Ω	
LENS		
Zoom Ratio	3.6X (Manual)	
Focal Length	2.8 ~ 10mm (F1.2)	
Max. Aperture Ratio	1 : 1.2(Wide) ~ 2.8(Tele)	
Min. Object Distance	0.2m (0.66ft)	
Angular Field of View	H : 94.4°(Wide) ~ 28°(Tele) / V : 69.2°(Wide) ~ 21°(Tele)	
Focus	Manual	
Iris Control	Auto	
PAN / TILT / ROTATE		
Pan Range	0° ~ 340°	
Tilt Range	0° ~ 146°	
Rotate Range	0° ~ 340°	
OPERATIONAL		
On Screen Display	Built-in (Multi-language support)	
Camera Title	On / Off	
Day & Night	Auto (ICR) / Color / B/W	
Backlight Compensation	WDR / BLC / HLC / Off	
Dynamic Range	52dB	
Motion Detection	On / Off	
Digital Image Stabilization	On / Off	
Privacy Masking	On / Off (8 Programmable zones)	
3D Noise Filter (SSNR II)	On / Off	
Sens-up (Frame Integration)	Auto / Off (Selectable limit ~ 256X)	
Gain Control	Low / High / Off	
White Balance	ATW / AWC / Manual / Indoor / Outdoor	
Electronic Shutter Speed	Fixed (1/60 / Flickerless)	Fixed (1/50 / Flickerless)
Communication	RS-485	
Protocol	Samsung Techwin, Pelco-D	
Flip	On / Off	
Mirror	On / Off	
ENVIRONMENTAL		
Operating Temperature / Humidity	-10°C ~ +50°C / 20% ~ 80% RH	
Storage Temperature / Humidity	-20°C ~ +60°C / 20% ~ 95% RH	
MECHANICAL		
Dimension (WxH)	Ø148 x 126mm (Ø5.83" x 4.96")	
Weight	1.3Kg (2.87 lb)	
Ingress Protection	IP66	
Certifications	FCC (Class A), UL/cUL listed	CE (Class A)

Accessories

Pendant Mount Wall Mount



STB-319VPS



STB-249WWS

Wall Mount



STB-225WWS



STB-275WWS

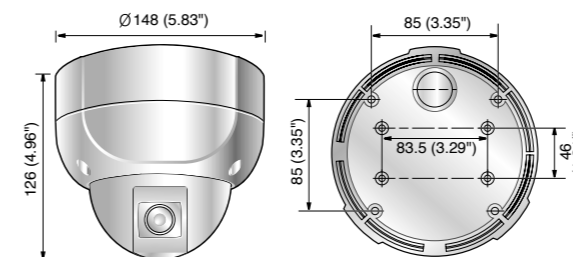
Corner Mount



STB-250VC

Dimensions

Unit : mm (inch)



SVD-4400

1/3" High Resolution, Day & Night Vandal-Resistant Dome Camera



NEW



Overview

The SVD-4400 crescent outdoor vandal-resistant dome camera sports a high-powered 3.6X (2.8 ~ 10mm) optical zoom inside its exceptionally durable high-strength body. Its 580TV lines resolution and ultra-low light capability of 0.15Lux provide noise-free, crystal clear color images even in the darkest places. Various user-friendly options include a multiple-language OSD, DIS (Digital Image Stabilization), as well as high light and backlight compensation.

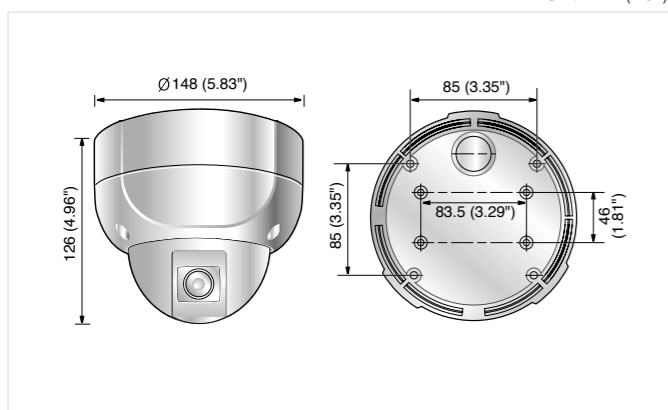


Features

- 1/3" Super HAD color CCD
- Based on W-IV, the latest generation of Winner DSP engine
- Built-in 3.6X (2.8 ~ 10mm) varifocal lens with auto iris
- Built-in SSNR II, digital 3D noise reduction technology
- Day & Night with ICR (Infrared Cutoff Removal)
- High resolution of 580TV lines (Color), 700TV lines (B/W)
- Min. illumination of 0.15Lux@F1.2 (Color)
0.01Lux@F1.2 (B/W)
0.0006Lux@F1.2 (Color sens-up)
- Privacy masking with 8 programmable zones
- HLC (Highlight Compensation)
- DIS (Digital Image Stabilization)
- IP66 Protection against rain & wind
- Rugged, high impact polycarbonate dome cover and aluminum body
- Two types of installation (Flush or Surface Mount)
- Motion detection
 - RS-485 remote setup control
- Multi-language OSD
 - S/N ratio of 52dB
- Dual voltage : 24V AC / 12V DC

Dimensions

Unit : mm (inch)



Technical Specifications

	SVD-4400N	SVD-4400P
ELECTRICAL		
Input Voltage	Dual (12V DC / 24V AC)	
Power Consumption	Max. 3.5W	
VIDEO		
Imaging Device	1/3" Super HAD CCD	
Total Pixels	811(H) x 508(V)	795(H) x 596(V)
Effective Pixels	768(H) x 494(V)	752(H) x 582(V)
Scanning System	2 : 1 Interlace	
Synchronization	Internal / Line lock	
Frequency	H : 15.734KHz / V : 59.94Hz	H : 15.625KHz / V : 50Hz
Horizontal Resolution	Color : 580TV lines (Min.) / B/W : 700TV lines (Min.)	
Min. Illumination	Color : 0.15Lux (50 IRE@F1.2), 0.0006Lux (Sens-up, 256X) B/W : 0.01Lux (50 IRE@F1.2)	
S / N (Y signal)	52dB	
Video Output	CVBS : 1.0Vp-p / 75Ω	
LENS		
Zoom Ratio	3.6X (Manual)	
Focal Length	2.8 ~ 10mm (F1.2)	
Max. Aperture Ratio	1 : 1.2(Wide) ~ 2.8(Tele)	
Min. Object Distance	0.2m (0.66ft)	
Angular Field of View	H : 94.4°(Wide) ~ 28°(Tele) / V : 69.2°(Wide) ~ 21°(Tele)	
Focus	Auto / Manual / One-push	
Iris Control	Auto / Manual	
PAN / TILT / ROTATE		
Pan Range	0° ~ 340°	
Tilt Range	0° ~ 146°	
Rotate Range	0° ~ 340°	
OPERATIONAL		
On Screen Display	Built-in (Multi-language support)	
Camera Title	On / Off	
Day & Night	Auto (ICR) / Color / B/W	
Backlight Compensation	BLC / HLC / Off	
Motion Detection	On / Off	
Digital Image Stabilization	On / Off	
Privacy Masking	On / Off (8 Programmable zones)	
3D Noise Filter (SSNR II)	On / Off	
Sens-up (Frame Integration)	Auto / Off (Selectable limit ~ 256X)	
Gain Control	Low / High / Off	
White Balance	ATW / AWC / Manual / Indoor / Outdoor	
Electronic Shutter Speed	Fixed (1/60 / Flickerless)	Fixed (1/50 / Flickerless)
Communication	RS-485	
Protocol	Samsung Techwin, Pelco-D	
Flip	On / Off	
Mirror	On / Off	
ENVIRONMENTAL		
Operating Temperature / Humidity	-10°C ~ +50°C / 20% ~ 80% RH	
Storage Temperature / Humidity	-20°C ~ +60°C / 20% ~ 95% RH	
MECHANICAL		
Dimension (WxH)	Ø148 x 126mm (Ø5.83" x 4.96")	
Weight	1.3Kg (2.87 lb)	
Ingress Protection	IP66	
Certifications	FCC (Class A), UL/cUL listed	CE (Class A)

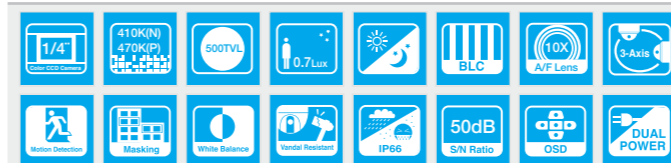
SVD-4300/4300W

1/4" High Resolution, Day & Night Vandal-Resistant 10X Dome Camera



Overview

SVD-4300/4300W is a high resolution indoor/outdoor vandal resistant dome camera with an advanced auto focus auto iris 10X zoom lens. Installation cannot get easier than with the 4300/4300W. It employs a 3-axis mount system for easy positioning, and you need not worry about lens adjustments. Just mount and point the camera, and you're done. Zoom and other programmable features can be set either at the camera or remotely from the monitoring location. Its main body and dome are made of high strength material to withstand strong impacts and harsh environments.

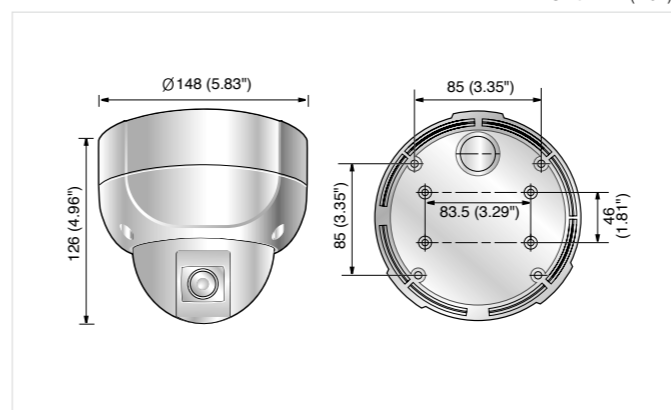


Features

- 1/4" Super HAD color CCD
- Built-in 10X (3.8 ~ 38mm) zoom lens with auto focus and auto iris
- SSNR digital noise reduction saves DVR storage space
- Day & Night with ICR (Infrared Cutoff Removal)
- High resolution of 500TV lines (Color), 570TV lines (B/W)
- Min. illumination of 0.7Lux@F1.8 (Color)
0.02Lux@F1.8 (B/W)
0.005Lux@F1.8 (Color sens-up)
- Privacy masking with 4 programmable zones
- IP66 Protection against rain & wind
- Rugged, high impact polycarbonate dome cover and aluminum body
- Two types of installation (Flush or Surface Mount)
- Motion detection
 - RS-485 remote setup control
- OSD (On Screen Display)
 - S/N ratio of 50dB
- Dual voltage : 24V AC / 12V DC

Dimensions

Unit : mm (inch)



Technical Specifications

	SVD-4300N/4300WN	SVD-4300P/4300WP
ELECTRICAL		
Input Voltage	Dual (12V DC / 24V AC)	
Power Consumption	Max. 5.5W	
VIDEO		
Imaging Device	1/4" Super HAD CCD	
Total Pixels	811(H) x 508(V)	795(H) x 596(V)
Effective Pixels	768(H) x 494(V)	752(H) x 582(V)
Scanning System	2 : 1 Interlace	
Synchronization	Internal / Line lock	
Frequency	H : 15.734KHz / V : 59.94Hz	H : 15.625KHz / V : 50Hz
Horizontal Resolution	Color : 500TV lines (Min.) / B/W : 570TV lines (Min.)	
Min. Illumination	Color : 0.7Lux (50 IRE@F1.8), 0.005Lux (Sens-up, 128X) B/W : 0.02Lux (50 IRE@F1.8)	
S / N (Y signal)	50dB	
Video Output	CVBS : 1.0Vp-p / 75Ω	
LENS		
Zoom Ratio	10X (Optical), 10X (Digital)	
Focal Length	3.8 ~ 38mm (F1.8)	
Max. Aperture Ratio	1 : 1.8(Wide) ~ 2.8(Tele)	
Min. Object Distance	1m (3.28ft)	
Angular Field of View	H : 51.2°(Wide) ~ 5.58°(Tele) / V : 39.3°(Wide) ~ 4.27°(Tele)	
Focus	Auto / Manual / One-push	
Zoom Movement Speed	1.67sec	
Iris Control	Auto / Manual	
PAN / TILT / ROTATE		
Pan Range	0° ~ 340°	
Tilt Range	0° ~ 146°	
Rotate Range	0° ~ 340°	
OPERATIONAL		
On Screen Display	Built-in	
Camera Title	On / Off	
Day & Night	Auto (ICR) / Color / B/W	
Backlight Compensation	Low / Medium / High / Off	
Motion Detection	On / Off	
Privacy Masking	On / Off (4 Programmable zones)	
Noise Filter (SSNR)	Low / Medium / High / Off	
Sens-up (Frame Integration)	On / Off (Selectable limit ~ 128X)	
Gain Control	Low / High / Off	
White Balance	ATW / AWC / Manual / Indoor / Outdoor	
Electronic Shutter Speed	Auto (NTSC : 1/60 ~ 1/120,000sec, PAL : 1/50 ~ 1/120,000) / Manual / A.FLK	
Communication	RS-485	
Protocol	Samsung Techwin, Pelco-D	
Flip	On / Off	
Mirror	On / Off	
ENVIRONMENTAL		
Operating Temperature / Humidity	-10°C ~ +50°C / 20% ~ 80% RH	
Storage Temperature / Humidity	-20°C ~ +60°C / 20% ~ 90% RH	
MECHANICAL		
Dimension (WxH)	Ø148 x 126mm (Ø5.83" x 4.96")	
Weight	1.3Kg (2.87 lb)	
Ingress Protection	IP66	
Certifications	FCC (Class A), UL/cUL listed	CE (Class A)

SID-560/560W/562/562W

1/3" High Resolution, WDR Dome Camera



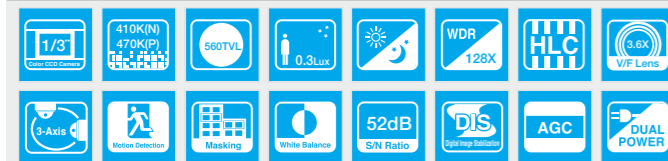
Overview

The SID-560/560W/562/562W are indoor mini-dome cameras with a built-in 4th generation SV-IV DSP engine. The SID-560/560W/562/562W provides outstanding quality images in a wide variety of applications. They come with a color resolution specification of 560TV lines, a further improved WDR function for better color presentation in back lighted conditions, and clear picture quality without noise generally produces in low light level environments. The SID-560/560W is 12V DC powered, and the SID-562/562W offers either 12V DC or 24V AC operation.



SID-560/562

SID-560W/562W



Exceptional resolution of 560TV lines in color

The SID-560/560W/562/562W cameras provide super clear picture quality, achieving a horizontal resolution of 560TV lines in color and 700TV lines in B/W.



Conventional Camera

SID-560/560W/562/562W

Features

- 1/3" Vertical double density color CCD
- Built-in SV-IV, the latest generation of SV DSP engine
- Built-in 3.6X (2.8 ~ 10mm) varifocal lens with auto iris
- Powerful 128X WDR function : Max. 52dB
- Built-in SSNR II, digital 3D noise reduction technology
- Day & Night with ICR (Infrared Cutoff Filter Removal) : SID-560/560W
- Image resolution of 560TV lines (Color), 700TV lines (B/W)
- Min. illumination of 0.3Lux@F1.2 (Color)
0.01Lux@F1.2 (B/W)
0.001Lux@F1.2 (Color sens-up)
- Privacy masking with 8 programmable zones
- HLC (Highlight Compensation) • DIS (Digital Image Stabilization)
- Easy adjustment with 3-axis camera mount
- Intelligent motion detection : 8 zones • RS-485 remote setup control
- Multi-language OSD • S/N ratio of 52dB
- Voltage : 12V DC (SID-560N/560WN/560P/560WP)
- Dual voltage : 24V AC / 12V DC (SID-562N/562WN/562P/562WP)
- Color : Silver (SID-560/562), Ivory (SID-560W/562W)

Wide Dynamic Range means you see more

The SID-560/560W/562/562W are Wide Dynamic Range (WDR) cameras. They compensate for backlight conditions 128 times more effectively than conventional cameras that rely on BLC alone. It is able to do this by applying advanced intra-frame image processing which uses high speed shutter in bright areas and lower speed shutter in dark areas. This method of WDR does not produce the picture artifacts or tradeoffs found in other methods of WDR.



WDR Off

WDR Off

WDR On

Excellent Low Light Performance

The SV-IV DSP engine provides the industry's best digital 3D noise reduction system, called SSNR II. Managing noise is the key to low light performance, and this is why the SID-560/560W/562/562W requires only 0.3Lux to produce a good color picture. Low noise means savings on DVR storage space as well.



Conventional Camera

SID-560/560W/562/562W

Multi-language OSD setup menus for user convenience

These domes support multiple language OSD menus that can be programmed locally or remotely from the monitoring location.



Built-in Digital Image Stabilization (DIS)

The SID-560/560W/562/562W domes provide Digital Image Stabilization (DIS) that reduces or eliminates motion in the picture caused by building vibration. This produces a significant savings of disc space in DVRs, even when camera shake is not very noticeable.



DIS Off

DIS On



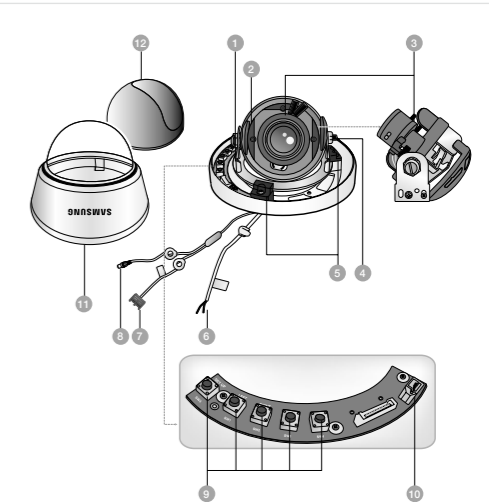
SID-560/560W/562/562W

1/3" High Resolution, WDR Dome Camera

Technical Specifications

	SID-560N/560WN	SID-560P/560WP	SID-562N/562WN	SID-562P/562WP
ELECTRICAL				
Input Voltage	12V DC		Dual (12V DC/ 24V AC)	
Power Consumption	Max. 3.5W		Max. 2.5W	
VIDEO				
Imaging Device	1/3" Vertical double density interline CCD			
Total Pixels	811(H) x 508(V)	795(H) x 596(V)	811(H) x 508(V)	795(H) x 596(V)
Effective Pixels	768(H) x 494(V)	752(H) x 582(V)	768(H) x 494(V)	752(H) x 582(V)
Scanning System	2 : 1 Interlace			
Synchronization	Internal		Internal / Line lock	
Frequency	H: 15.734KHz / V: 59.94Hz		H: 15.734KHz / V: 59.94Hz	
Horizontal Resolution	Color : 560TV lines (Min.) / B/W : 700TV lines (Min.)		560TV lines (Min.)	
Min. Illumination	Color : 0.3Lux (50 IRE@F1.2), 0.001Lux (Sens-up, 256X) B/W : 0.01Lux (50 IRE@F1.2)			
S / N (Y signal)	52dB			
Video Output	CVBS : 1.0Vp-p / 75Ω			
LENS				
Zoom Ratio	3.6X (Manual)			
Focal Length	2.8 ~ 10mm (F1.2)			
Max. Aperture Ratio	1 : 1.2(Wide) ~ 2.8(Tele)			
Min. Object Distance	0.2m (0.66ft)			
Angular Field of View	H : 94.4°(Wide) ~ 28°(Tele) / V : 69.2°(Wide) ~ 21°(Tele)			
Focus	Manual			
Iris Control	Auto			
PAN / TILT / ROTATE				
Pan Range	0° ~ 340°			
Tilt Range	0° ~ 146°			
Rotate Range	0° ~ 340°			
OPERATIONAL				
On Screen Display	Built-in (Multi-language support)			
Camera Title	On / Off			
Day & Night	Auto (ICR) / Color / B/W		On / Off (Electrical)	
Backlight Compensation	WDR / BLC / HLC / Off			
Dynamic Range	52dB			
Motion Detection	On / Off			
Digital Image Stabilization	On / Off			
Privacy Masking	On / Off (8 Programmable zones)			
3D Noise Filter (SSNR II)	On / Off			
Sens-up (Frame Integration)	Auto / Off (Selectable limit ~ 256X)			
Gain Control	Low / High / Off			
White Balance	ATW / AWC / Manual / Indoor / Outdoor			
Electronic Shutter Speed	Auto (NTSC : 1/60 ~ 1/120,000sec, PAL : 1/50 ~ 1/120,000) / Manual / A.FLK			
Communication	RS-485			
Protocol	Samsung Techwin, Pelco-D			
Flip	On / Off			
Mirror	On / Off			
ENVIRONMENTAL				
Operating Temperature / Humidity	-10°C ~ +50°C / 20% ~ 80% RH			
Storage Temperature / Humidity	-20°C ~ +60°C / 20% ~ 95% RH			
MECHANICAL				
Dimension (WxH)	Ø141.2 x 105.5mm (Ø5.56" x 4.15")			
Weight	560g (1.23 lb)		670g (1.48 lb)	
Color	Silver (SID-560/562), Ivory (SID-560W/562W)			
Certifications	FCC (Class A), UL/cUL listed		CE (Class A), UL/cUL listed	

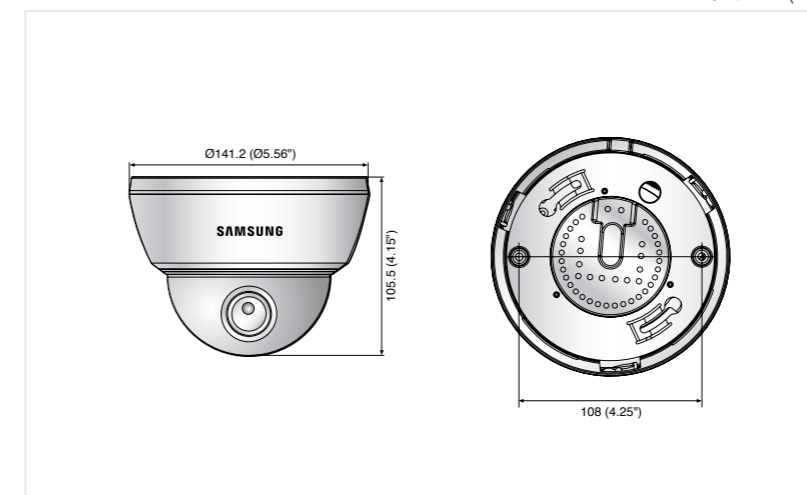
Exploded view



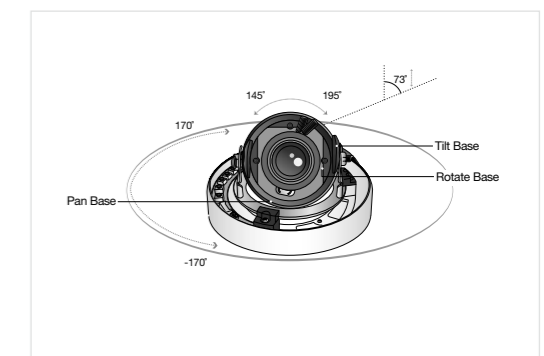
- Pan Base**
Control panning angle of camera
- Rotate Base**
Control rotating angle of camera
- 3.6X Vari-focal Lens Module**
- Rotate Base Holding Screw**
Fix rotated position
- Pan Base Holding Screws (Color : Silver)**
Fix panned position
- RS-485 Control Cable**
- Power Input Jack**
- Video Output Jack**
- Function Setup Button**
 - SET Button : Displays the menu on the screen. Press this button to confirm status or after changing a selected item.
 - Left and Right Button : Used to move the cursor left or right in the menu screen or to change the value of the selected item.
 - Up and Down Button : Used to move the cursor up or down in the menu screen to select a desired menu item.
- Video Output to Monitor**
- Dome Cover**
- Shield Case**

Dimensions

Unit : mm (inch)



Adjusting the pan, tilt and rotation



SID-460/460W

1/3" High Resolution, Day & Night Dome Camera

FC CE

Overview

The Samsung Techwin SID-460/460W are redefining what you should expect for features and performance in a fixed mini-dome camera. Using our 4th generation W-IV Digital Signal Processing, the SID-460/460W are able to produce an unparalleled color resolution of 580TV lines. In addition, this new DSP provides the industry's most comprehensive set of performance enhancing features such as digital image stabilization, 3D noise filtering, and many other features not found in any other camera in any class.



SID-460

SID-460W

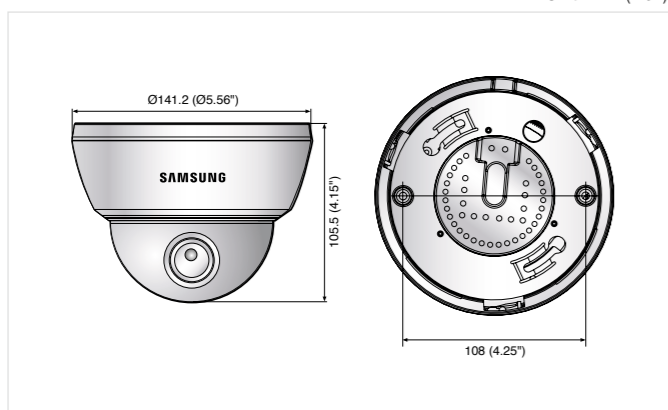


Features

- 1/3" Vertical double density color CCD
- Built-in W-IV, the latest generation of Winner DSP engine
- Built-in 3.6X (2.8 ~ 10mm) varifocal lens with auto iris
- Built-in SSNR II, Digital 3D Noise Reduction technology
- Day & Night with ICR (Infrared Cutoff Removal)
- High resolution of 580TV lines (Color), 700TV lines (B/W)
- Min. illumination of 0.15Lux@F1.2 (Color)
0.01Lux@F1.2 (B/W)
0.0006Lux@F1.2 (Color sens-up)
- Privacy masking with 8 programmable zones
- HLC (Highlight Compensation) • DIS (Digital Image Stabilization)
- Easy adjustment with 3-axis camera mount
- Intelligent motion detection : 8 zones
- RS-485 remote setup control
- Multi-language OSD • S/N ratio of 52dB
- Voltage : 12V DC
- Color : Silver (SID-460), Ivory (SID-460W)

Dimensions

Unit : mm (inch)



Technical Specifications

	SID-460N/460WN	SID-460P/460WP
ELECTRICAL		
Input Voltage	12V DC	
Power Consumption	Max. 3.5W	
VIDEO		
Imaging Device	1/3" Vertical double density interline CCD	
Total Pixels	811(H) x 508(V)	795(H) x 596(V)
Effective Pixels	768(H) x 494(V)	752(H) x 582(V)
Scanning System	2 : 1 Interlace	
Synchronization	Internal	
Frequency	H : 15.734KHz / V : 59.94Hz	H : 15.625KHz / V : 50Hz
Horizontal Resolution	Color : 580TV lines (Min.) / B/W : 700TV lines (Min.)	
Min. Illumination	Color : 0.15Lux (50 IRE@F1.2), 0.0006Lux (Sens-up, 256X) B/W : 0.01Lux (50 IRE@F1.2)	
S / N (Y signal)	52dB	
Video Output	CVBS : 1.0Vp-p / 75Ω	
LENS		
Zoom Ratio	3.6X (Manual)	
Focal Length	2.8 ~ 10mm (F1.2)	
Max. Aperture Ratio	1 : 1.2(Wide) ~ 2.8(Tele)	
Min. Object Distance	0.2m (0.66ft)	
Angular Field of View	H : 94.4°(Wide) ~ 28°(Tele) / V : 69.2°(Wide) ~ 21°(Tele)	
Focus	Manual	
Iris Control	Auto	
PAN / TILT / ROTATE		
Pan Range	0° ~ 340°	
Tilt Range	0° ~ 146°	
Rotate Range	0° ~ 340°	
OPERATIONAL		
On Screen Display	Built-in (Multi-language support)	
Camera Title	On / Off	
Day & Night	Auto (ICR) / Color / B/W	
Backlight Compensation	BLC / HLC / Off	
Motion Detection	On / Off	
Digital Image Stabilization	On / Off	
Privacy Masking	On / Off (8 Programmable zones)	
3D Noise Filter (SSNR II)	On / Off	
Sens-up (Frame Integration)	Auto / Off (Selectable limit ~ 256X)	
Gain Control	Low / High / Off	
White Balance	ATW / AWC / Manual / Indoor / Outdoor	
Electronic Shutter Speed	Auto (NTSC : 1/60 ~ 1/120,000sec, PAL : 1/50 ~ 1/120,000) / Manual / A.FLK	
Communication	RS-485	
Protocol	Samsung Techwin, Pelco-D	
Flip	On / Off	
Mirror	On / Off	
ENVIRONMENTAL		
Operating Temperature / Humidity	-10°C ~ +50°C / 20% ~ 80% RH	
Storage Temperature / Humidity	-20°C ~ +60°C / 20% ~ 95% RH	
MECHANICAL		
Dimension (WxH)	Ø141.2 x 105.5mm (Ø5.56" x 4.15")	
Weight	560g (1.23 lb)	
Color	Silver (SID-460), Ivory (SID-460W)	
Certifications	FCC (Class A)	CE (Class A)

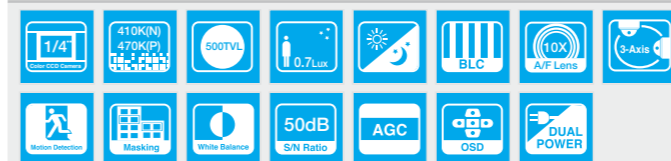
SID-500

1/4" Day & Night, 10X Zoom Dome Camera

FC cUL LISTED CE

Overview

The SID-500 is a high resolution indoor fixed dome camera with an advanced auto focus auto iris 10X zoom lens. Installation cannot get easier than with the SID-500. It employs a 3-axis mount system for easy positioning, and you need not worry about lens adjustments. Just mount and point the camera, and you're done. Zoom and other programmable features can be set either at the camera or remotely from the monitoring location.

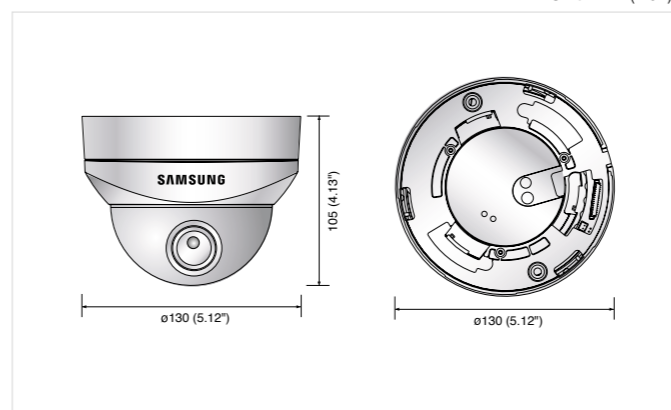


Features

- 1/4" Super HAD color CCD
- Built-in 10X (3.8 ~ 38mm) zoom lens with auto focus and auto iris
- Wall mountable with 3-axis rotating camera mount
- SSNR digital noise reduction saves DVR storage space
- Day & Night with ICR (Infrared Cutoff Removal)
- High resolution of 500TV lines (Color), 570TV lines (B/W)
- Min. illumination of 0.7Lux@F1.8 (Color)
0.02Lux@F1.8 (B/W)
0.005Lux@F1.8 (Color sens-up)
- Privacy masking with 4 programmable zones
- Motion detection
- OSD (On Screen Display)
- S/N ratio of 50dB
- Dual voltage : 24V AC / 12V DC

Dimensions

Unit : mm (inch)



Technical Specifications

	SID-500N	SID-500P
ELECTRICAL		
Input Voltage	Dual (12V DC/ 24V AC)	
Power Consumption	Max. 5.5W	
VIDEO		
Imaging Device	1/4" Super HAD CCD	
Total Pixels	811(H) x 508(V)	795(H) x 596(V)
Effective Pixels	768(H) x 494(V)	752(H) x 582(V)
Scanning System	2 : 1 Interlace	
Synchronization	Internal / Line lock	
Frequency	H : 15.734KHz / V : 59.94Hz	H : 15.625KHz / V : 50Hz
Horizontal Resolution	Color : 500TV lines (Min.) / B/W : 570TV lines (Min.)	
Min. Illumination	Color : 0.7Lux (50 IRE@F1.8), 0.005Lux (Sens-up, 128X) B/W : 0.02Lux (50 IRE@F1.8)	
S / N (Y signal)	50dB	
Video Output	CVBS : 1.0Vp-p / 75Ω	
LENS		
Zoom Ratio	10X (Optical), 10X (Digital)	
Focal Length	3.8 ~ 38mm (F1.8)	
Max. Aperture Ratio	1 : 1.6(Wide) ~ 3.2(Tele)	
Min. Object Distance	1m (3.28ft)	
Angular Field of View	H : 51.2°(Wide) ~ 5.58°(Tele) / V : 39.3°(Wide) ~ 4.27°(Tele)	
Focus	Auto / Manual / One-push	
Zoom Movement Speed	1.67sec	
Iris Control	Auto / Manual	
PAN / TILT / ROTATE		
Pan Range	0° ~ 340°	
Tilt Range	0° ~ 146°	
Rotate Range	0° ~ 340°	
OPERATIONAL		
On Screen Display	Built-in	
Camera Title	On / Off	
Day & Night	Auto (ICR) / Color / B/W	
Backlight Compensation	Low / Medium / High / Off	
Motion Detection	On / Off	
Privacy Masking	On / Off (4 Programmable zones)	
Noise Filter (SSNR)	Low / Medium / High / Off	
Sens-up (Frame Integration)	On / Off (Selectable limit ~ 128X)	
Gain Control	Normal / High / Off	
White Balance	ATW / AWC / Manual	
Electronic Shutter Speed	Auto (NTSC : 1/60 ~ 1/120,000sec, PAL : 1/50 ~ 1/120,000) / Manual / A.FLK	
Communication	RS-485	
Protocol	Samsung Techwin, Pelco-D	
Alarm	4 In, 2 Out	
Flip	On / Off	
Mirror	On / Off	
ENVIRONMENTAL		
Operating Temperature / Humidity	-10°C ~ +50°C / 20% ~ 80% RH	
Storage Temperature / Humidity	-20°C ~ +60°C / 20% ~ 90% RH	
MECHANICAL		
Dimension (WxH)	Ø130 x 105mm (Ø5.12" x 4.13")	
Weight	640g (1.41 lb)	
Certifications	FCC (Class A), UL/cUL listed	CE (Class A)

SID-450/452

1/3" High Resolution, Day & Night Dome Camera



Overview

The SID-450/452, a 3-axis color dome camera provides not only quality performance but also outstanding ease of installation. This camera is incredibly flexible to install with its 3-axis camera construction, which makes the camera wall or slope mountable. It features compact size, built-in 3X (3 ~ 9mm) varifocal lens, 530TV lines, a minimum illumination of 0.002Lux and unique SSNR noise reduction technology. This versatile camera is an excellent choice for indoor applications such as retail stores, schools, airports, banks and hotels. The SID-450 is 12V DC powered and the SID-452 is either 12V DC or 24V AC powered.



Technical Specifications

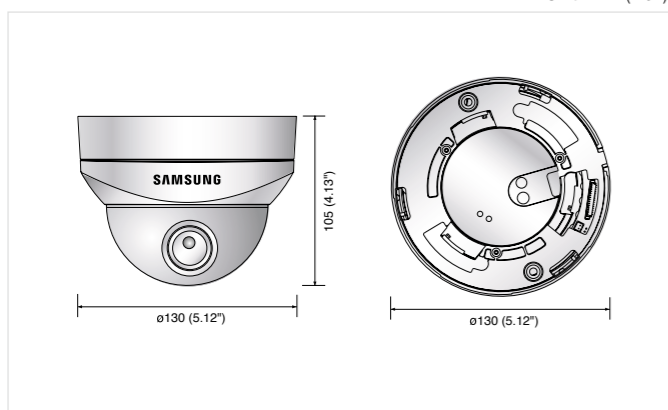
	SID-450N	SID-450P	SID-452N	SID-452P
ELECTRICAL				
Input Voltage	12V DC		Dual (12V DC / 24V AC)	
Power Consumption	Max. 2.5W		Max. 3W	
VIDEO				
Imaging Device	1/3" Super HAD CCD			
Total Pixels	811(H) x 508(V)	795(H) x 596(V)	811(H) x 508(V)	795(H) x 596(V)
Effective Pixels	768(H) x 494(V)	752(H) x 582(V)	768(H) x 494(V)	752(H) x 582(V)
Scanning System	2 : 1 Interlace			
Synchronization	Internal		Internal / Line lock	
Frequency	H: 15.734KHz / V: 59.94Hz	H: 15.625KHz / V: 50Hz	H: 15.734KHz / V: 59.94Hz	H: 15.625KHz / V: 50Hz
Horizontal Resolution	530TV lines (Min.)			
Min. Illumination	Color : 0.3Lux (50 IRE@F1.2), 0.002Lux (Sens-up, 128X)			
S / N (Y signal)	50dB			
Video Output	CVBS : 1.0Vp-p / 75Ω			
LENS				
Zoom Ratio	3X (Manual)			
Focal Length	3 ~ 9mm (F1.2)			
Max. Aperture Ratio	1 : 1.2(Wide) ~ 2.1(Tele)			
Min. Object Distance	0.5m (1.64ft)			
Angular Field of View	H : 90°(Wide) ~ 31.8°(Tele) / V : 66.2°(Wide) ~ 23.9°(Tele)			
Iris Control	Auto			
PAN / TILT / ROTATE				
Pan Range	0° ~ 350°			
Tilt Range	0° ~ 140°(Wide) ~ 160°(Tele)			
Rotate Range	0° ~ 340°			
OPERATIONAL				
On Screen Display	Built-in			
Camera Title	On / Off			
Day & Night	On / Off (Electrical)			
Backlight Compensation	Low / Medium / High / Off			
Motion Detection	On / Off			
Privacy Masking	On / Off (4 Programmable zones)			
Noise Filter (SSNR)	Low / Medium / High / Off			
Sens-up (Frame Integration)	On / Off (Selectable limit - 128X)			
Gain Control	Low / Medium / High / Off			
White Balance	ATW (Indoor / Outdoor) / AWC / Manual			
Electronic Shutter Speed	Fixed (1/60 / Flickerless)	Fixed (1/50 / Flickerless)	Fixed (1/60 / Flickerless)	Fixed (1/50 / Flickerless)
Mirror	On / Off			
ENVIRONMENTAL				
Operating Temperature / Humidity	-10°C ~ +50°C / 20% ~ 80% RH			
Storage Temperature / Humidity	-20°C ~ +60°C / 20% ~ 90% RH			
MECHANICAL				
Dimension (WxH)	Ø130 x 100mm (Ø5.12" x 3.94")		Ø130 x 105mm (Ø5.12" x 4.13")	
Weight	570g (1.26 lb)		670g (1.48 lb)	
Certifications	FCC (Class A)	CE (Class A)	FCC (Class A), UL/cUL listed, CE (Class A)	

Features

- 1/3" Super HAD color CCD
- Built-in 3X (3 ~ 9mm) varifocal lens with auto iris
- Wall mountable with 3-axis rotating camera construction
- SSNR digital noise reduction saves DVR storage space
- Day & Night capability for 24/7 operation
- High resolution of 530TV lines
- Min. illumination of 0.3Lux@F1.2 (Color)
0.002Lux@F1.2 (Color sens-up)
- Privacy masking with 4 programmable zones
- Motion detection (4 zones)
- OSD (On Screen Display)
- S/N ratio of 50dB
- Voltage : 12V DC (SID-450N/P)
- Dual voltage : 24V AC / 12V DC (SID-452N/P)

Dimensions

Unit : mm (inch)



SID-47/47W/48/48W/49/49W

1/3" High Resolution, Day & Night Dome Camera



Overview

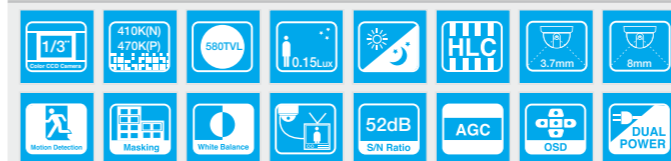
The Samsung Techwin SID-47/48/49 series is redefining what you should expect for features and performance in a fixed mini-dome camera. Using our 4th generation W-IV DSP, these cameras feature 580TV lines of resolution in color and 700TV lines of resolution in black and white. In addition, features such as digital image stabilization and 3-D digital noise filtering come standard making it the most cost effective and powerful mini dome in it's class.



SID-47/48/49



SID-47W/48W/49W



Features

- 1/3" Super HAD color CCD
- Built-in W-IV, the latest generation of Winner DSP engine
- Built-in auto iris fixed lens :
3.7mm (SID-47/47W) / 8mm (SID-48/48W) / 3.7, 8mm (SID-49/49W)
- Compact, stylish design for various indoor applications
- Built-in SSNRII, digital 3D Noise Reduction technology
- Day & Night capability for 24/7 operation
- High resolution of 580TV lines
- Min. illumination of 0.15Lux@F1.2 (Color)
0.0006Lux@F1.2 (Color sens-up)
- Privacy masking with 8 programmable zones
- HLC (Highlight Compensation)
- Motion detection (4 zones)
- Multi-language OSD • S/N ratio of 52dB
- Dual voltage : 24V AC / 12V DC
- Color : Silver (SID-47/48/49), Ivory (SID-47W/48W/49W)

High resolution of 580TV lines

The SID-47/48/49 series produces high quality images of 580TV lines resolution by applying Samsung Techwin's own image processing technology. This technology uses sophisticated exposure control and edge detection algorithms to provide the highest resolution image for any standard definition camera in the industry.



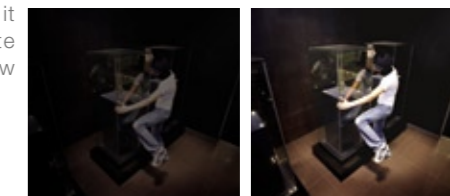
Conventional Camera



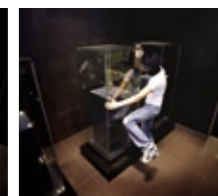
SID-47/47W/48/48W/49/49W

Low light performance

The SID-47/48/49 series works extremely well in challenging low light applications. It requires only 0.15Lux to provide color pictures, and when light levels fall below this, it switches to B/W mode for greater sensitivity. In addition, the SID-47/48/49 offer Sens-up frame integration mode which makes it possible to operate down to levels as low as 0.0006Lux.



Conventional Camera



SID-47/47W/48/48W/49/49W

3-Axis mechanical design

The SID-47/48/49 series lens can be positioned to any angle allowing the unit to be easily mounted on a wall or a sloped surface. This allows the camera angle to be adjusted even after it has been installed.



Ceiling

Wall

Slope

Various choices of lenses

The SID-47/47W comes with a 3.7mm fixed lens that provides a wide angle view that is ideal for small areas. The SID-48/48W comes with a 8mm fixed lens which affords a 33° horizontal field of view which is ideal for most of indoor applications. The SID-49/49W includes both the 3.7 and 8mm fixed lenses allowing installers to select the lens needed for the specific application.



8mm

3.7mm

SID-47/47W/48/48W/49/49W

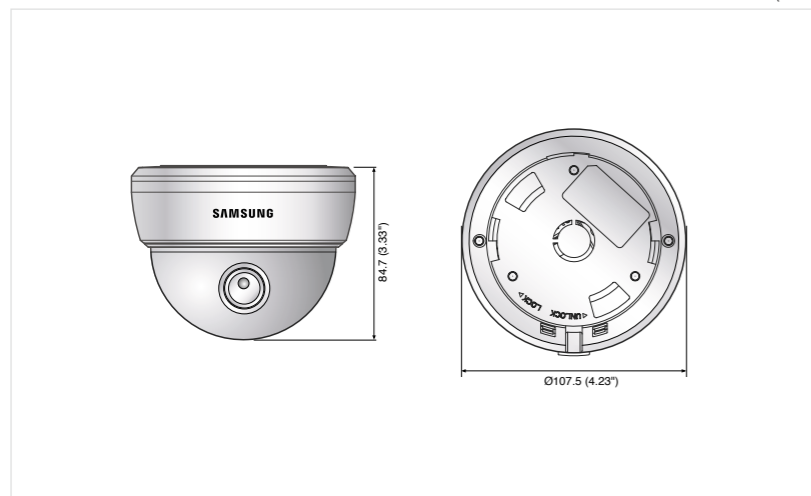
1/3" High Resolution, Day & Night Dome Camera

Technical Specifications

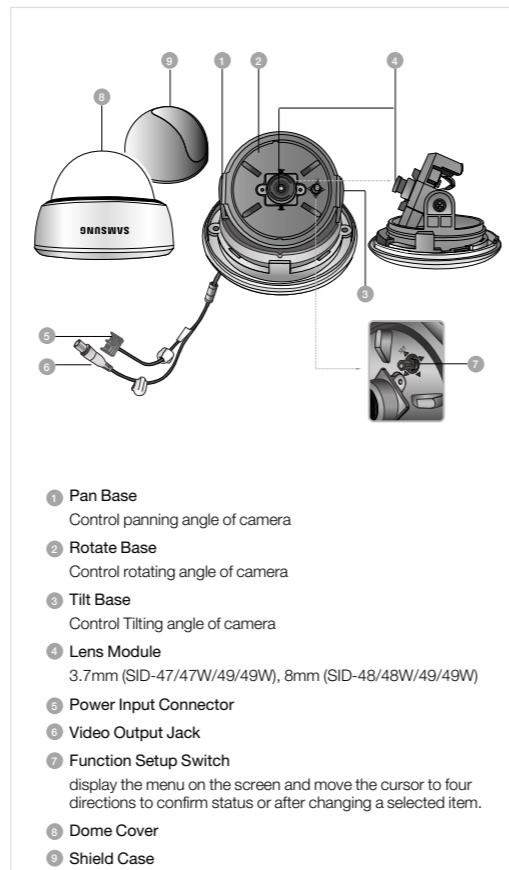
	SID-47N/47WN	SID-47P/47WP	SID-48N/48WN	SID-48P/48WP	SID-49N/49WN	SID-49P/49WP
ELECTRICAL						
Input Voltage	Dual (12V DC/ 24V AC)					
Power Consumption	Max. 2.5W					
VIDEO						
Imaging Device	1/3" Super HAD CCD					
Total Pixels	811(H) x 508(V)	795(H) x 596(V)	811(H) x 508(V)	795(H) x 596(V)	811(H) x 508(V)	795(H) x 596(V)
Effective Pixels	768(H) x 494(V)	752(H) x 582(V)	768(H) x 494(V)	752(H) x 582(V)	768(H) x 494(V)	752(H) x 582(V)
Scanning System	2 : 1 Interlace					
Synchronization	Internal / Line lock					
Frequency	H: 15.734KHz V: 59.94Hz	H: 15.625KHz V: 50Hz	H: 15.734KHz V: 59.94Hz	H: 15.625KHz V: 50Hz	H: 15.734KHz V: 59.94Hz	H: 15.625KHz V: 50Hz
Horizontal Resolution	580TV lines (Min.)					
Min. Illumination	Color : 0.15Lux (50 IRE@F1.2), 0.0006Lux (Sens-up, 256X)					
S / N (Y signal)	52dB					
Video Output	CVBS : 1.0Vp-p / 75Ω					
LENS						
Zoom Ratio	Fixed					
Focal Length	3.7mm		8mm		3.7, 8mm	
Max. Aperture Ratio	F2.0					
Min. Object Distance	0.4m (1.31ft)					
Angular Field of View	H : 71°, V : 52° H : 33°, V : 25° H : 71°, V : 52° / H : 33°, V : 25°					
PAN / TILT / ROTATE						
Pan Range	0° ~ 352°					
Tilt Range	0° ~ 75°					
Rotate Range	0° ~ 348°					
OPERATIONAL						
On Screen Display	Built-in (Multi-language support)					
Camera Title	On / Off					
Day & Night	Auto (Electrical) / Color / B/W					
Backlight Compensation	BLC / HLC / Off					
Motion Detection	On / Off					
Privacy Masking	On / Off (8 Programmable zones)					
3D Noise Filter (SSNR)	On / Off					
Sens-up (Frame Integration)	On / Off (Selectable limit ~ 256X)					
Gain Control	Low / High / Off					
White Balance	ATW / AWC / Manual / Indoor / Outdoor					
Electronic Shutter Speed	Auto (NTSC : 1/60 ~ 1/120,000sec, PAL : 1/50 ~ 1/120,000) / Manual / A.FLK					
Flip	On / Off					
Mirror	On / Off					
ENVIRONMENTAL						
Operating Temperature / Humidity	-10°C ~ +50°C / 20% ~ 80% RH					
Storage Temperature / Humidity	-20°C ~ +60°C / 20% ~ 90% RH					
MECHANICAL						
Dimension (WxH)	Ø107.5 x 84.7mm (Ø4.23" x 3.33")					
Weight	260g (0.57 lb)					
Color	Silver (SID-47/48/49), Ivory (SID-47W/48W/49W)					
Certifications	FCC (Class A), UL/cUL listed CE (Class A)		FCC (Class A), UL/cUL listed CE (Class A)		FCC (Class A), UL/cUL listed CE (Class A)	

Dimensions

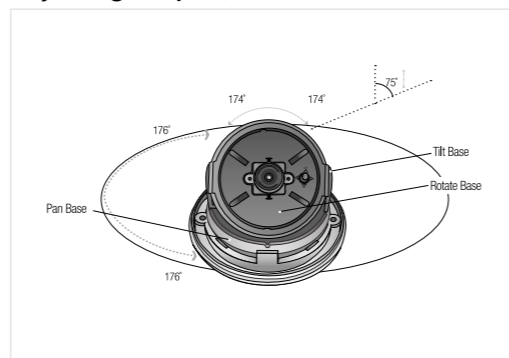
Unit : mm (inch)



Exploded view



Adjusting the pan, tilt and rotation



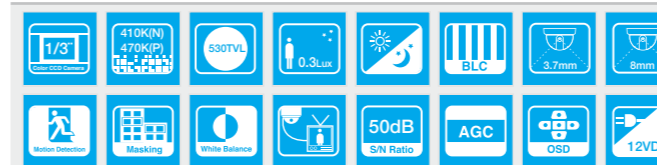
SID-45C/46C

1/3" High Resolution, Day & Night Dome Camera

FC CE

Overview

The SID-45C/46C series of indoor mini domes are the right choice in applications that call for performance and discreetness at an economical price. The SID-45C/46C employs the W-III DSP chip, which offers a Day & Night function to achieve good low light level performance and higher than 530TV lines of image quality for both day and night conditions. In addition, there are built-in functions including the convenient OSD menu, 4 zone privacy masking and motion detection. The SID-45C/46C redefines what you should expect from a low cost mini dome. The SID-45C has a 3.7mm auto iris lens and the SID-46C has an 8mm auto iris lens.

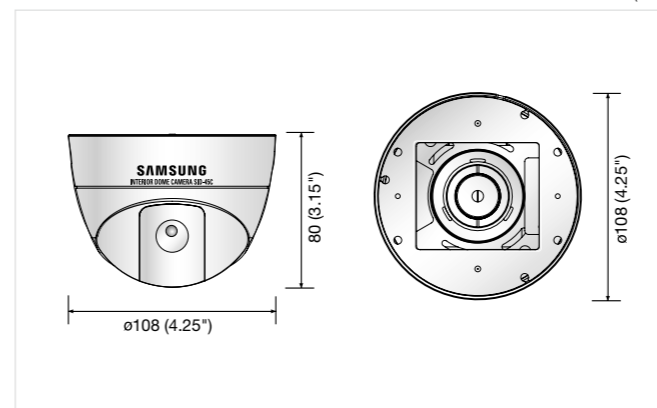


Features

- 1/3" Super HAD color CCD
- Built-in A/I fixed lens : 3.7mm (SID-45CN/P) / 8mm (SID-46CN/P)
- Compact, stylish design for various indoor applications
- SSNR digital noise reduction saves DVR storage space
- Day & Night capability for 24/7 operation
- High resolution of 530TV lines
- Min. illumination of 0.3Lux@F1.2 (Color)
0.002Lux@F1.2 (Color sens-up)
- Privacy masking with 4 programmable zones
- Motion detection (4 zones)
- OSD (On Screen Display)
- S/N ratio of 50dB
- Voltage : 12V DC

Dimensions

Unit : mm (inch)



Technical Specifications

	SID-45CN	SID-45CP	SID-46CN	SID-46CP
ELECTRICAL				
Input Voltage	12V DC			
Power Consumption	Max. 1.8W			
VIDEO				
Imaging Device	1/3" Super HAD CCD			
Total Pixels	811(H) x 508(V)	795(H) x 596(V)	811(H) x 508(V)	795(H) x 596(V)
Effective Pixels	768(H) x 494(V)	752(H) x 582(V)	768(H) x 494(V)	752(H) x 582(V)
Scanning System	2 : 1 Interlace			
Synchronization	Internal			
Frequency	H: 15.734KHz V: 59.94Hz	H: 15.625KHz V: 50Hz	H: 15.734KHz V: 59.94Hz	H: 15.625KHz V: 50Hz
Horizontal Resolution	530TV lines (Min.)			
Min. Illumination	Color : 0.3Lux (50 IRE@F1.2), 0.002Lux (Sens-up, 128X)			
S / N (Y signal)	50dB			
Video Output	CVBS : 1.0Vp-p / 75Ω			
LENS				
Zoom Ratio	Fixed			
Focal Length	3.7mm		8mm	
Max. Aperture Ratio	F2.0			
Min. Object Distance	0.4m (1.31ft)			
Angular Field of View	H : 71°, V : 52°		H : 33°, V : 25°	
PAN / TILT				
Pan Range	0° ~ 340°			
Tilt Range	30° ~ 90°			
OPERATIONAL				
On Screen Display	Built-in			
Camera Title	On / Off			
Day & Night	On / Off (Electrical)			
Backlight Compensation	Low / Medium / High / Off			
Motion Detection	On / Off			
Privacy Masking	On / Off (4 Programmable zones)			
Noise Filter (SSNR)	Low / Medium / High / Off			
Sens-up (Frame Integration)	On / Off (Selectable limit ~ 128X)			
Gain Control	Low / Medium / High / Off			
White Balance	ATW / AWC / Manual			
Electronic Shutter Speed	Auto (NTSC : 1/60 ~ 1/120,000sec, PAL : 1/50 ~ 1/120,000) / Manual / A.FLK			
Mirror	On / Off			
ENVIRONMENTAL				
Operating Temperature / Humidity	-10°C ~ +50°C / 20% ~ 80% RH			
Storage Temperature / Humidity	-20°C ~ +60°C / 20% ~ 90% RH			
MECHANICAL				
Dimension (WxH)	Ø108 x 80mm (Ø4.25" x 3.15")			
Weight	210g (0.46 lb)			
Certifications	FCC (Class A)	CE (Class A)	FCC (Class A)	CE (Class A)

SID-53/53W/56/56W

1/3" High Resolution Mini Dome Camera

FC CE

Overview

The SID-53/53W/56/56W are compact high performance cameras that will re-define what you would expect in a low-cost indoor fixed dome. They utilize the latest W-IV DSP engine, which means they offer a lot of performance and functionality that you would normally expect to see in a much higher cost product. These features include a low light level performance of 0.04Lux, and resolution that is higher than 580TV lines. In addition, there are built-in functions including the convenient OSD setup menus. The SID-53/53W has a 3mm lens and the SID-56/56W has a 6mm lens.



SID-53/56

SID-53W/56W

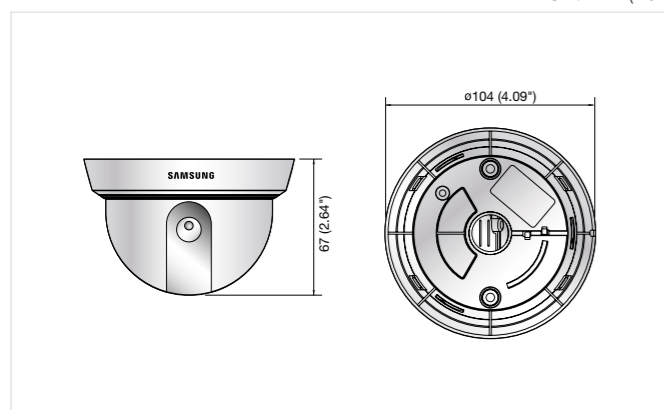


Features

- 1/3" Super HAD color CCD
- Built-in W-IV, the latest generation of Winner DSP engine
- Built-in A/I fixed lens : 3mm (SID-53N/53WN/53P/53WP)
6mm (SID-56N/56WN/56P/56WP)
- Compact, light weight and stylish design
- Built-in SSNR II, Upgraded Noise Reduction technology
- High resolution of 580TV lines
- Min. illumination of 0.04Lux@F1.2 (Color, Sens-up)
- S/N ratio of 52dB
- Voltage : 12V DC
- Color : Silver (SID-53/56), Ivory (SID-53W/56W)

Dimensions

Unit : mm (inch)



Technical Specifications

	SID-53N/53WN	SID-53P/53WP	SID-56N/56WN	SID-56P/56WP
ELECTRICAL				
Input Voltage	12V DC			
Power Consumption	Max. 1.8W			
VIDEO				
Imaging Device	1/3" Super HAD CCD			
Total Pixels	811(H) x 508(V)	795(H) x 596(V)	811(H) x 508(V)	795(H) x 596(V)
Effective Pixels	768(H) x 494(V)	752(H) x 582(V)	768(H) x 494(V)	752(H) x 582(V)
Scanning System	2 : 1 Interlace			
Synchronization	Internal			
Frequency	H:15.734KHz/V:59.94Hz	H: 15.625KHz/V:50Hz	H:15.734KHz/V:59.94Hz	H: 15.625KHz/V:50Hz
Horizontal Resolution	580TV lines (Min.)			
Min. Illumination	Color : 0.04Lux (50 IRE@F1.2,Sens-up)			
S / N (Y signal)	52dB			
Video Output	CVBS : 1.0Vp-p / 75Ω			
LENS				
Zoom Ratio	Fixed			
Focal Length	3mm		6mm	
Max. Aperture Ratio	F2.0		F2.5	
Min. Object Distance	0.4m (1.31ft)			
Angular Field of View	H : 95° , V : 71°		H : 46° , V : 34°	
PAN / TILT				
Pan Range	0° ~ 360°			
Tilt Range	20° ~ 90°			
OPERATIONAL				
Backlight Compensation	Auto			
3D Noise Filter (SSNR II)	Auto			
Sens-up (Frame Integration)	Auto			
Gain Control	Auto			
White Balance	Auto			
Electronic Shutter Speed	Auto			
ENVIRONMENTAL				
Operating Temperature / Humidity	-10°C ~ +50°C / 20% ~ 80% RH			
Storage Temperature / Humidity	-20°C ~ +60°C / 20% ~ 90% RH			
MECHANICAL				
Dimension (WxH)	Ø104 x 67mm (Ø4.09" x 2.64")			
Weight	180g (0.4 lb)			
Color	Silver (SID-53/56), Ivory (SID-53W/56W)			
Certifications	FCC (Class A)	CE (Class A)	FCC (Class A)	CE (Class A)



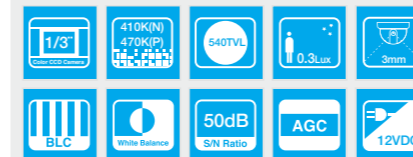
SID-50

1/3" High Resolution Mini Dome Camera

FC CE

Overview

The SID-50 has multiple features and strengths that are beyond what is expected of a low cost mini dome camera. Premium features, including 540TV lines of resolution and 0.05Lux low light level performance come as standard in a white casing that fits nicely into any environment. The SID-50 is a perfect combination of innovative design and the latest technology. Additionally, the SID-50 with its auto-imaging features is designed for easy installation regardless of location. The high performance SID-50 will re-define what you should expect from a low cost mini dome camera.

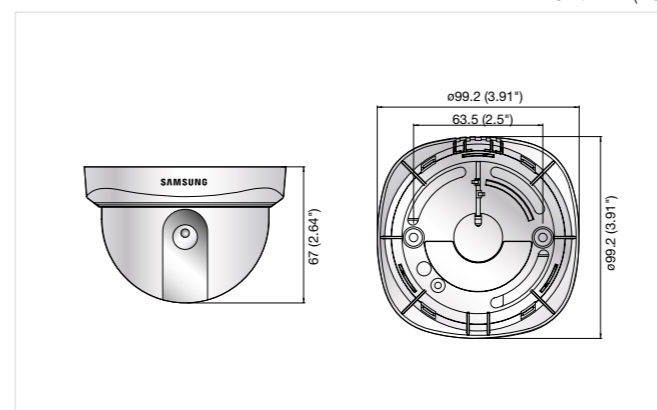


Features

- 1/3" Super HAD color CCD
- Built-in A/I fixed lens : 3mm
- Compact, Light weight and stylish design
- SSNR digital noise reduction saves DVR storage space
- High resolution of 540TV lines
- Min. illumination of 0.3Lux@F1.2 (Color)
0.05Lux@F1.2 (Color sens-up)
- S/N ratio of 50dB
- Voltage : 12V DC

Dimensions

Unit : mm (inch)



Technical Specifications

	SID-50N	SID-50P
ELECTRICAL		
Input Voltage	12V DC	
Power Consumption	Max. 1.8W	
VIDEO		
Imaging Device	1/3" Super HAD CCD	
Total Pixels	811(H) x 508(V)	795(H) x 596(V)
Effective Pixels	768(H) x 494(V)	752(H) x 582(V)
Scanning System	2 : 1 Interlace	
Synchronization	Internal	
Frequency	H : 15.734KHz / V : 59.94Hz	H : 15.625KHz / V : 50Hz
Horizontal Resolution	540TV lines (Min.)	
Min. Illumination	Color : 0.3Lux (50 IRE@F1.2), 0.05Lux (Sens-up)	
S / N (Y signal)	50dB	
Video Output	CVBS : 1.0Vp-p / 75Ω	
LENS		
Zoom Ratio	Fixed	
Focal Length	3mm	
Max. Aperture Ratio	F2.0	
Min. Object Distance	0.4m (1.31ft)	
Angular Field of View	H : 95° , V : 71°	
PAN / TILT		
Pan Range	0° ~ 360°	
Tilt Range	20° ~ 90°	
OPERATIONAL		
Backlight Compensation	Auto	
Noise Filter (SSNR)	Auto	
Sens-up (Frame Integration)	Auto	
Gain Control	Auto	
White Balance	Auto	
Electronic Shutter Speed	Auto	
ENVIRONMENTAL		
Operating Temperature / Humidity	-10°C ~ +50°C / 20% ~ 80% RH	
Storage Temperature / Humidity	-20°C ~ +60°C / 20% ~ 90% RH	
MECHANICAL		
Dimension (WxH)	Ø99.2 x 67mm (Ø3.91" x 2.64")	
Weight	200g (0.44 lb)	
Certifications	FCC (Class A)	CE (Class A)

SIR-4250S/4250W

1/3" Day & Night, IR LED Dome Camera with Built-in Varifocal Lens



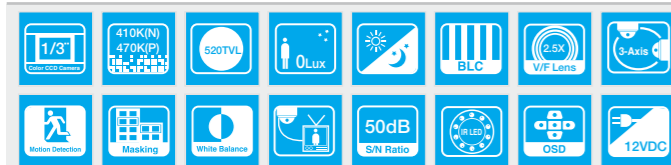
Overview

The SIR-4250S/4250W are an indoor camera with a 3.8 ~ 9.5mm V/F AI lens and IR illuminator all in one package. During daytime operation, the camera produces crisp 520TV line resolution color images. At night, the camera switches to black and white mode, removes the IR cut filter, and illuminates the scene up to 16M (52.5 ft) away without any added lighting. This makes it the ideal solution for applications such as night clubs or sleep centers.



SIR-4250S

SIR-4250W

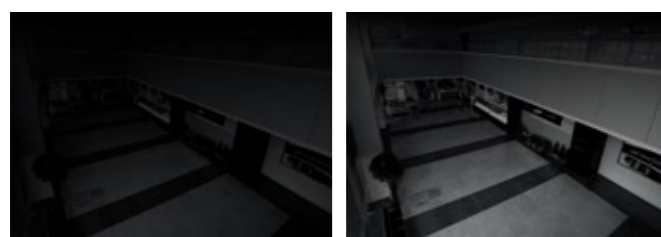


Features

- 1/3" Super HAD color CCD
- Built-in 2.5X (3.8 ~ 9.5mm) varifocal lens with auto iris
- Built-in high-performance IR LEDs
- SSNR digital noise reduction saves DVR storage space
- Day & Night with ICR (Infrared Cutoff Removal)
- High resolution of 520TV lines (Color), 570TV lines (B/W)
- Min. illumination of 0Lux@F1.2 (LED on)
 - 0.7Lux@F1.2 (Color)
 - 0.005Lux@F1.2 (Color sens-up)
- Privacy masking with 4 programmable zones
- Additional service monitoring output
- Easy adjustment with 3-axis camera mount
- Motion detection (4 zones) • RS-485 remote setup control
- OSD (On Screen Display) • S/N ratio of 50dB
- Voltage : 12V DC
- Color : Silver (SIR-4250S), Ivory (SID-4250W)

0 Lux Minimum illumination that monitors in total darkness!

The SIR-4250S/4250W can capture even the small movement of subjects in total darkness. It can be trusted to deliver high quality video at an incredible low light level of 0 Lux with high performance IR LED illuminators.



Conventional Camera

SIR-4250S/4250W

High Performance IR LEDs

The SIR-4250S/4250W incorporates high performance IR LED lamps that provide up to 4 times higher brightness than standard LEDs for clearer images in complete darkness. The illuminators withstand high temperatures of up to 100°C and consume less power ensuring a longer life span.



Varifocal Lens (3.8 ~ 9.5mm)

The SIR-4250S/4250W is equipped with a varifocal lens of 3.8 ~ 9.5mm that ensures optimum video image and focus setting so that users get the best view in a variety of environments.

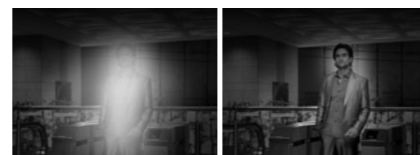


Normal

2.5X

IR Mode for clear subject recognition

The SIR-4250S/4250W provides IR glare reduction that prevents short distance saturation when IR LEDs are on resulting in clear recognition of a subject located within 3 meters.



Conventional Camera

SIR-4250S/4250W

Day & Night (ICR type) feature for around the clock operation

The SIR-4250S/4250W produces optimum image quality at night by automatically removing the IR cut filters. It automatically switches either to vivid color images during the day or high resolution pictures in black and white during the night.



Day

Night



SIR-4250S/4250W

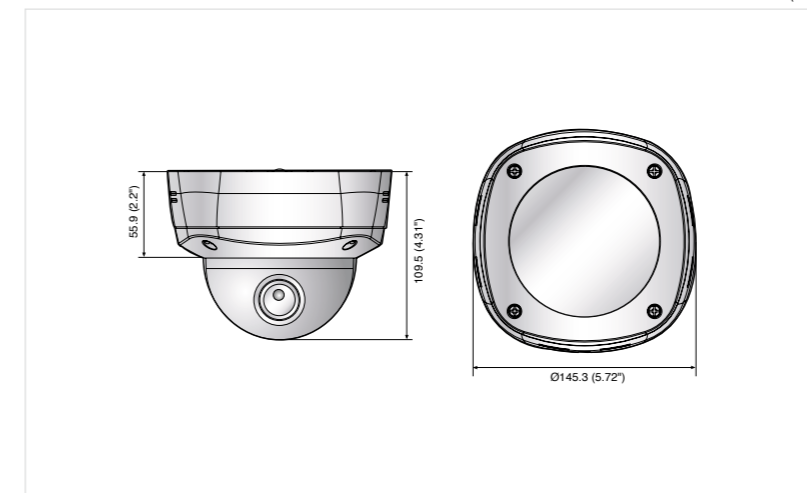
1/3" Day & Night, IR LED Dome Camera with Built-in Varifocal Lens

Technical Specifications

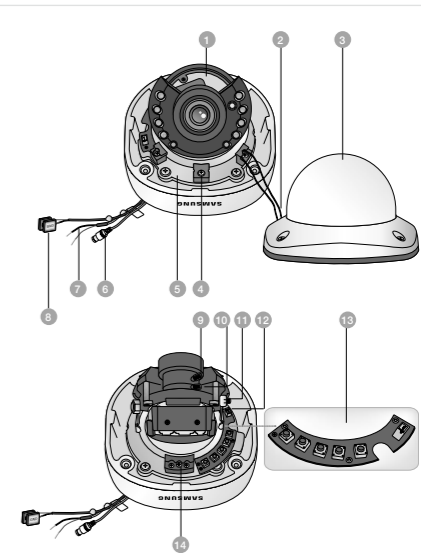
		SIR-4250SN/4250WN	SIR-4250SP/4250WP
ELECTRICAL			
Included	Input	100V AC ~ 240V AC (50/60Hz)	
Power Supply	Output	12V DC, 4A	
Power Consumption		Max. 3.6W (LED On)	
VIDEO			
Imaging Device		1/3" Super HAD CCD	
Total Pixels		811(H) x 508(V)	795(H) x 596(V)
Effective Pixels		768(H) x 494(V)	752(H) x 582(V)
Scanning System		2 : 1 Interlace	
Synchronization		Internal	
Frequency		H : 15.734KHz / V : 59.94Hz	H : 15.625KHz / V : 50Hz
Horizontal Resolution		Color : 520TV lines (Min.) / B/W : 570TV lines (Min.)	
Min. Illumination		Color : 0.7Lux (50 IRE@F1.2), 0.005Lux (Sens-up, 128X)	
S / N (Y signal)		50dB	
Video Output		CVBS : 1.0Vp-p / 75Ω	
LENS			
Zoom Ratio		2.5X (Manual)	
Focal Length		3.8 ~ 9.5mm (F1.2)	
Max. Aperture Ratio		1 : 1.2(Wide) ~ 2.1(Tele)	
Min. Object Distance		0.2m (0.66ft)	
Angular Field of View		H : 73.5°(Wide) ~ 29.7°(Tele) / V : 53.9°(Wide) ~ 22.3°(Tele)	
Iris Control		Auto	
PAN / TILT / ROTATE			
Pan Range		0° ~ 340°	
Tilt Range		0° ~ 146°	
Rotate Range		0° ~ 340°	
OPERATIONAL			
On Screen Display		Built-in	
Camera Title		On / Off	
Day & Night		Auto (ICR) / Color / B/W	
Backlight Compensation		Low / Medium / High / Off	
Motion Detection		On / Off	
Privacy Masking		On / Off (4 Programmable zones)	
Noise Filter (SSNR)		Low / Medium / High / Off	
Sens-up (Frame Integration)		On / Off (Selectable limit ~ 128X)	
Gain Control		Normal / High / Off	
White Balance		ATW / AWC / Manual	
Electronic Shutter Speed		Fixed (1/60 / Flickerless)	Fixed (1/50 / Flickerless)
Communication		RS-485	
Protocol		Pelco-D	
Mirror		On / Off	
ENVIRONMENTAL			
Operating Temperature / Humidity		-10°C ~ +50°C / 20% ~ 80% RH	
Storage Temperature / Humidity		-20°C ~ +60°C / 20% ~ 95% RH	
MECHANICAL			
Dimension (WxH)		Ø145.3 x 109.5mm (Ø5.72" x 4.31")	
Weight		985g (2.17 lb)	
IR LED		10ea (Black)	
IR Distance		16m (52.5ft)	
Color		Silver (SIR-4250S), Ivory (SIR-4250W)	
Certifications		FCC (Class A)	CE (Class A)

Dimensions

Unit : mm (inch)



Exploded view



- 1 Rotate Base : Control rotating angle of camera
- 2 Safety ring
- 3 Dome Cover
- 4 Pan base Holding Screws (Color : Silver) : Fix rotated position
- 5 Pan Base : Control panning angle of camera
- 6 Video output terminal
- 7 RS-485 Control terminal
- 8 Power input terminal
- 9 Focus Handle : To provide for accurate focusing of an object within the lens field of view
- 10 Zoom Handle : To adjust zoom magnification by turning
- 11 Rotate Base Holding Screw : Fix rotated position
- 12 Sub monitoring cable : When installing camera, connect with a test monitor for image and view adjustments.
- 13 Function Setup Button
 - SET Button : Used for the menu display.
 - Confirm the status of the selected function
 - Left and Right Button : Used when changing item values, by moving the cursor to the left or right on the menu screen
 - Up and Down Button : Used when changing item values, by moving the cursor to the up or down on the menu screen
- 14 Pan base Holding Screws (Color : Silver) : Fix panned position

SIR-60

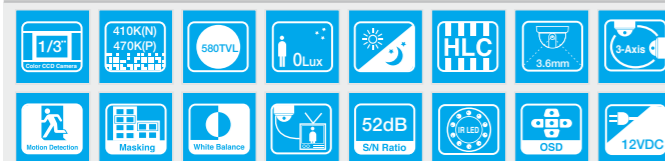
1/3" Day & Night, IR LED Camera with Built-in Varifocal Lens

Overview

The SIR-60 is an indoor dome camera with an IR illuminator. During daytime operation, the camera produces crisp 580TV lines resolution color images. At night, the camera switches to black and white mode, removes the IR cut filter, and illuminates the scene without any added lighting. This makes it the ideal solution for applications such as night clubs or sleep centers.



NEW

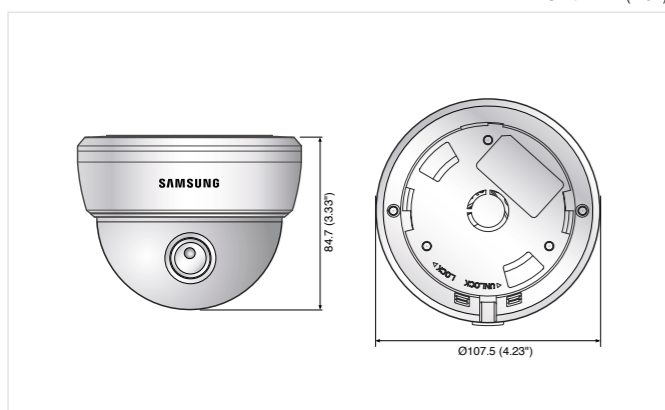


Features

- 1/3" Super HAD color CCD
- Built-in W-IV, the latest generation of Winner DSP engine
- Built-in high-performance IR LEDs
- Built-in SSNR II, digital 3D Noise Reduction technology
- Day & Night with ICR (Infrared Cutoff Removal)
- High resolution of 580TV lines (Color), 700TV lines (B/W)
- Min. illumination of 0Lux@F1.2 (LED on)
 - 0.15Lux@F1.2 (Color)
 - 0.0003Lux@F1.2 (Color sens-up)
- Privacy masking with 8 programmable zones
- Easy adjustment with 3-axis camera mount
- HLC (Highlight Compensation)
- Motion detection (4 zones)
- Multi-language OSD
- S/N ratio of 52dB
- Voltage : 12V DC

Dimensions

Unit : mm (inch)



Technical Specifications

	SIR-60N	SIR-60P
ELECTRICAL		
Input Voltage	12V DC	
Power Consumption	Max. 3.5W (LED On)	
VIDEO		
Imaging Device	1/3" Super HAD CCD	
Total Pixels	811(H) x 508(V)	795(H) x 596(V)
Effective Pixels	768(H) x 494(V)	752(H) x 582(V)
Scanning System	2 : 1 Interlace	
Synchronization	Internal / Line lock	
Frequency	H : 15.734KHz / V : 59.94Hz	H : 15.625KHz / V : 50Hz
Horizontal Resolution	Color : 580TV lines (Min.) / B/W : 700TV lines (Min.)	
Min. Illumination	Color : 0.15Lux (50 IRE@F1.2), 0.0003Lux (Sens-up, 512X) B/W : 0Lux (LED on)	
S / N (Y signal)	52dB	
Video Output	CVBS : 1.0Vp-p / 75Ω	
LENS		
Zoom Ratio	Fixed	
Focal Length	3.6mm	
Max. Aperture Ratio	F2.0	
Min. Object Distance	0.4m (1.31ft)	
Angular Field of View	H : 71°, V : 52°	
PAN / TILT / ROTATE		
Pan Range	0° ~ 352°	
Tilt Range	0° ~ 75°	
Rotate Range	0° ~ 348°	
OPERATIONAL		
On Screen Display	Built-in (Multi-language support)	
Camera Title	On / Off	
Day & Night	Auto (ICR) / Color / B/W	
Backlight Compensation	BLC / HLC / Off	
Motion Detection	On / Off	
Privacy Masking	On / Off (8 Programmable zones)	
3D Noise Filter (SSNR II)	Low / Medium / High / Off	
Sens-up (Frame Integration)	On / Off (Selectable limit - 512X)	
Gain Control	Low / High / Off	
White Balance	ATW / AWC / Manual / Indoor / Outdoor	
Electronic Shutter Speed	Auto (NTSC : 1/60 ~ 1/120,000sec, PAL : 1/50 ~ 1/120,000) / Manual / A.FLK	
Flip	On / Off	
Mirror	On / Off	
ENVIRONMENTAL		
Operating Temperature / Humidity	-10°C ~ +50°C / 20% ~ 80% RH	
Storage Temperature / Humidity	-20°C ~ +60°C / 20% ~ 90% RH	
MECHANICAL		
Dimension (WxHxD)	Ø107.5 x 84.7mm (Ø4.23" x 3.33")	
Weight	260g (0.57 lb)	
IR LED	8ea	
IR Distance	7m (23ft)	

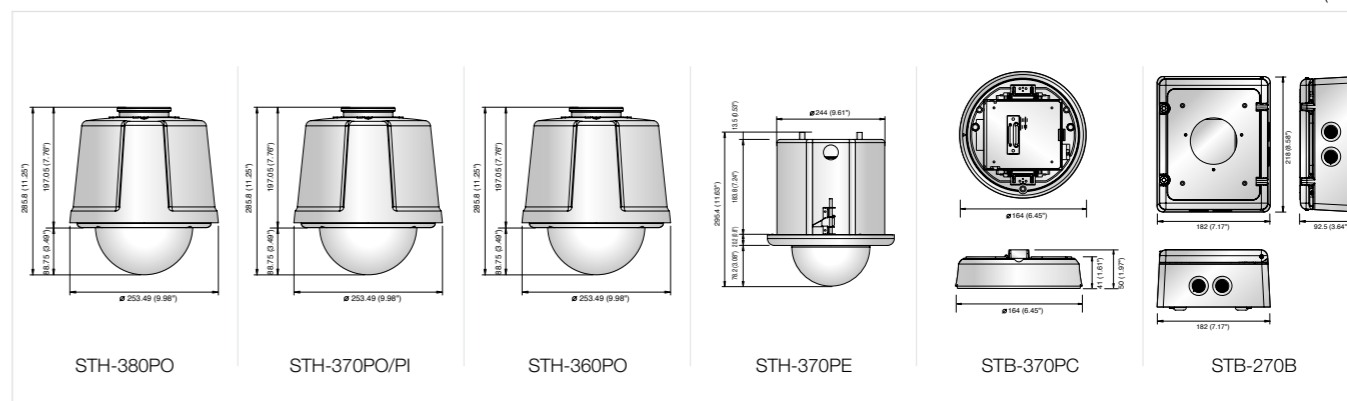
CAMERA ACCESSORIES

Housing & Mount for PTZ Dome Camera

		STH-380PO (Outdoor Housing)	STH-370PO/PI (Outdoor/Indoor Housing)	STH-360PO (Outdoor Housing)	STH-370PE (In-Ceiling Housing)	STB-370PC (Ceiling Mount)	STB-270B (Wall Setup Box)
Operating Temperature		-40°C ~ 50°C	-20°C ~ 50°C	-20°C ~ 50°C	-10°C ~ 50°C	-20°C ~ 50°C	-20°C ~ 50°C
Operating Humidity		0 to 90% RH	0 to 90% RH (non-condensing)	0 to 90% RH	0 to 90% RH (non-condensing)	0 to 90% RH	0 to 90% RH
Materials	Housing	ALDC 12	ALDC 12	ALDC 12	EGI 1.2T	ALDC 12	ALDC 12
	Ring	ALDC 12	ALDC 12	ALDC 12	ABS	N/A	C.R.2.0t
Materials	Dome	Poly Carbonate	Poly Carbonate	Poly Carbonate	N/A	N/A	N/A
Antivibration / Waterproof		IP 67	IP 67	IP 66	N/A	N/A	IP 66
Dimensions (WxH)		Ø253.49 x 285.8mm (Ø9.98" x 11.25")	Ø253.49 x 285.8mm (Ø9.98" x 11.25")	Ø253.49 x 285.8mm (Ø9.98" x 11.25")	Ø244 x 295.4mm (Ø9.61" x 11.63")	Ø164 x 41mm (Ø6.45" x 1.61")	182 x 218 x 92.5mm (7.17" x 8.58" x 3.64")
Weight		3.2Kg (7.05 lb)	3.2Kg (7.05 lb)	2.08Kg (4.59 lb)	740g (1.63 lb)	1.3Kg (2.87 lb)	2.98Kg (6.57 lb)

Dimensions

Unit : mm (inch)



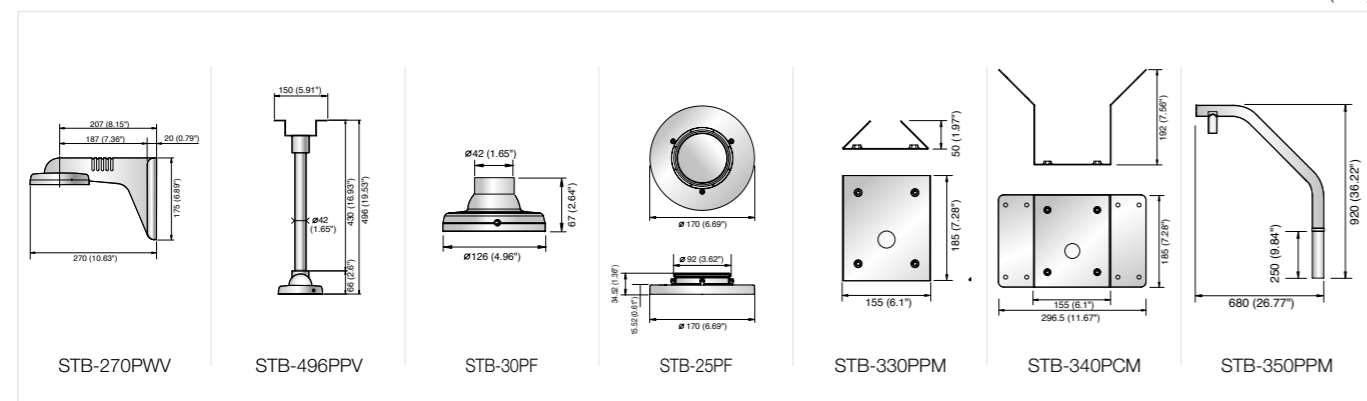
CAMERA ACCESSORIES

Mount for PTZ Dome Camera

	STB-270PWV (Wall Mount)	STB-496PPV (Pendant Mount)	STB-30PF (Ceiling Flange)	STB-25PF (Flange)	STB-330PPM (Pole Mount)	STB-340PCM (Corner Mount)	STB-350PPM (Parapet Mount)
Operating Temperature	-20°C ~ 50°C	-20°C ~ 50°C	-20°C ~ 50°C	-20°C ~ 50°C	-20°C ~ 50°C	-20°C ~ 50°C	-20°C ~ 50°C
Operating Humidity	0 to 90% RH (non-condensing)	0 to 90% RH (non-condensing)	0 to 90% RH	0 to 90% RH	0 to 90% RH	0 to 90% RH	0 to 90% RH
Materials	Housing	ALDC 12	ALDC 12	ALDC 12	SPCC	SPCC	SUS
	Ring	EGI 1.2T	SPPS 32A / SCH 40	EGI 1.2T	EGI 1.2T	N/A	N/A
	Dome	N/A	SPCC	N/A	N/A	N/A	N/A
Antivibration / Waterproof	N/A	N/A	N/A	N/A	N/A	N/A	N/A
Dimensions (WxHxD)	270 x 175 x 140mm (10.63" x 6.89" x 5.51")	150 x 496mm (5.91" x 19.53")	Ø126 x 67mm (Ø4.96" x 2.64")	Ø170 x 34.5mm (Ø6.7" x 1.36")	155 x 185 x 50mm (6.1" x 7.28" x 1.97")	297 x 185 x 192mm (11.69" x 7.28" x 7.56")	680 x 920mm (26.77" x 36.22")
Weight	1.2Kg (2.65 lb)	1.8Kg (3.97 lb)	380g (0.84 lb)	410g (0.9 lb)	600g (1.32 lb)	1.3Kg (2.87 lb)	8Kg (17.64 lb)

Dimensions

Unit : mm (inch)



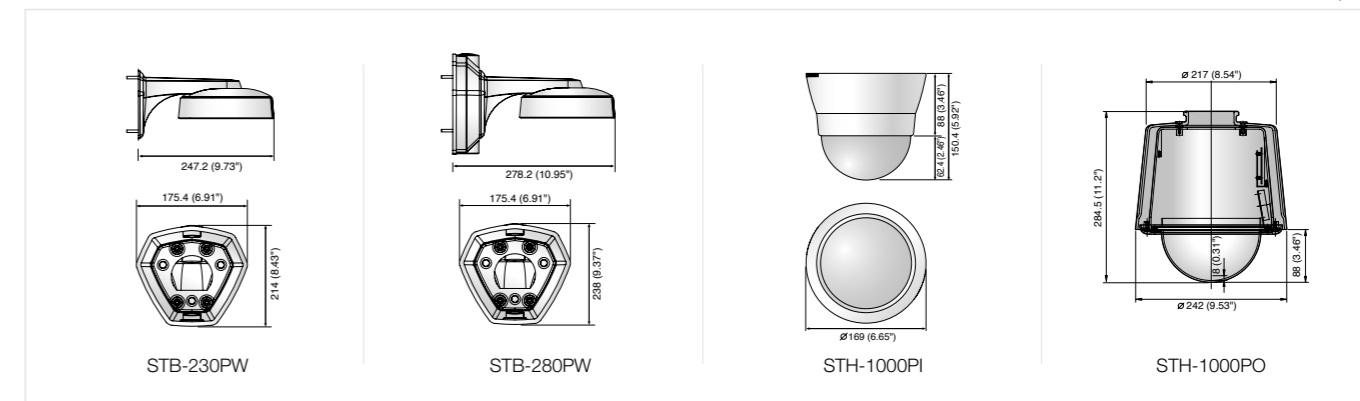
CAMERA ACCESSORIES

Mount & Housing for PTZ Dome Camera

	STB-230PW (Wall Mount)	STB-280PW (Wall Mount)	STH-1000PI (Indoor Housing)	STH-1000PO (Outdoor Housing)
Operating Temperature	-10°C ~ 50°C	-10°C ~ 50°C	-10°C ~ 50°C	-10°C ~ 50°C
Operating Humidity	0 to 90% RH (non-condensing)	0 to 90% RH (non-condensing)	0 to 90% RH (non-condensing)	0 to 90% RH (non-condensing)
Materials	Housing	ALDC 12	ALDC 12	PC
	Ring	N/A	N/A	N/A
	Dome	N/A	N/A	N/A
Antivibration / Waterproof	IP 67	IP 67	N/A	IP 66
Dimensions (WxHxD)	175.4 x 214 x 247.2mm (6.91" x 8.43" x 9.73")	175.4 x 238 x 278.2mm (6.91" x 9.37" x 10.95")	Ø169 x 150.4mm (Ø6.65" x 5.92")	Ø242 x 284.5mm (Ø9.53" x 11.2")
Weight	656g (1.45 lb)	980g (2.16 lb)	38g (0.08 lb)	3.02Kg (6.66 lb)

Dimensions

Unit : mm (inch)



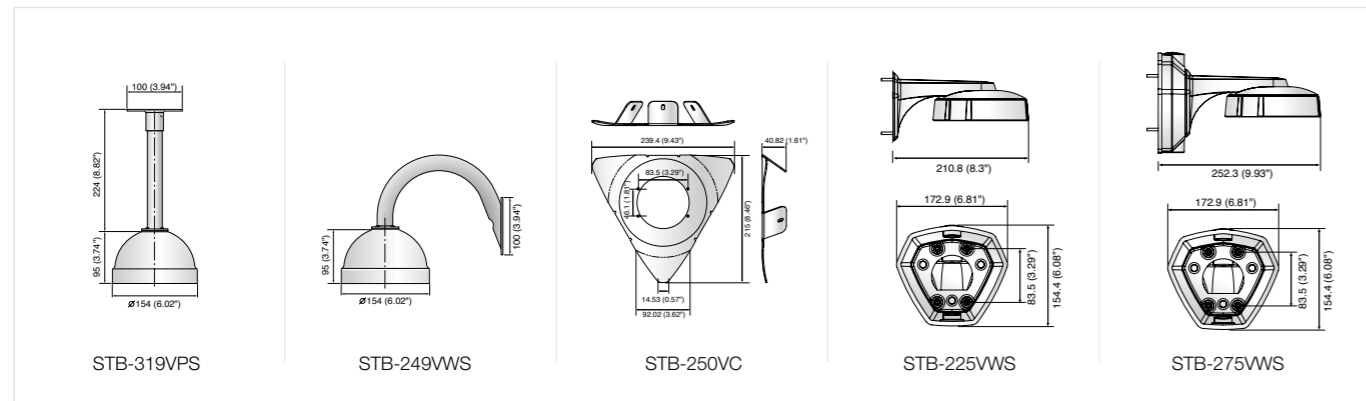
CAMERA ACCESSORIES

Mount for Vandal-Resistant Dome Camera

	STB-319VPS (Pendant Mount)	STB-249VWS (Wall Mount)	STB-250VC (Corner Mount)	STB-225VWS (Wall Mount)	STB-275VWS (Wall Mount)
Operating Temperature	-10°C ~ 50°C	-10°C ~ 50°C	-10°C ~ 50°C	-10°C ~ 50°C	-10°C ~ 50°C
Operating Humidity	0 to 90% RH (non-condensing)	0 to 90% RH (non-condensing)	0 to 90% RH (non-condensing)	0 to 90% RH (non-condensing)	0 to 90% RH (non-condensing)
Materials	Housing	AL	AL	SPCC	AL
	Ring	SPPS	SPPS	N/A	N/A
	Dome	SPCC	SPCC	N/A	N/A
Antivibration / Waterproof	N/A	N/A	N/A	N/A	N/A
Dimensions (WxHxD)	Ø154 x 319mm (Ø6.06" x 12.56")	Ø154 x 249mm (Ø6.06" x 9.8")	239.4 x 215 x 40.82mm (9.43" x 8.46" x 1.61")	172.9 x 154.4 x 210.8mm (6.81" x 6.08" x 8.3")	172.9 x 154.4 x 252.3mm (6.81" x 6.08" x 9.93")
Weight	650g (1.43 lb)	950g (2.09 lb)	471g (1.04 lb)	800g (1.76 lb)	840g (1.85 lb)

Dimensions

Unit : mm (inch)



CAMERA ACCESSORIES

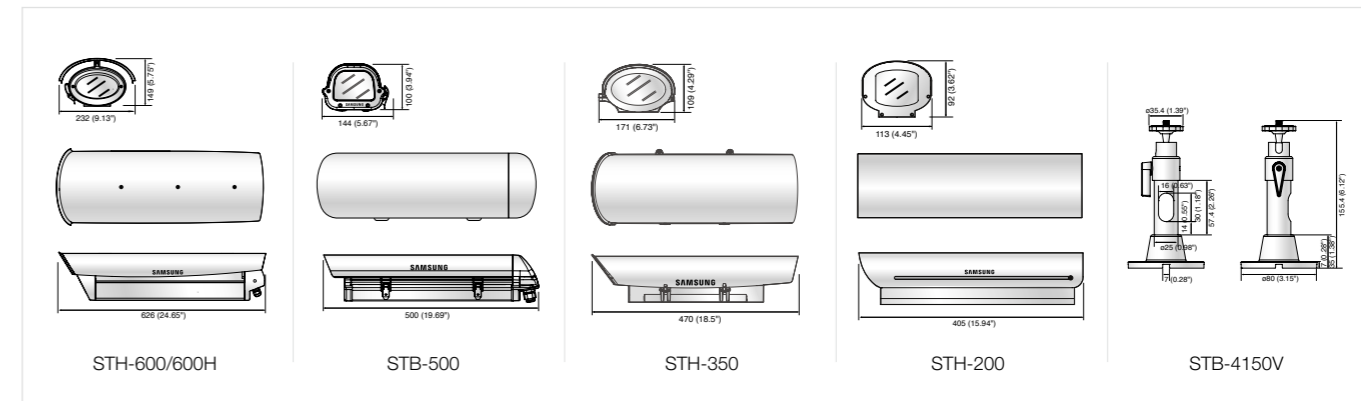
Housing for Fixed Camera

Mount for Fixed Camera

	STH-600/600H (Indoor/Outdoor Housing)	STH-500 (Indoor/Outdoor Housing)	STH-350 (Indoor Housing)	STH-200 (Indoor Housing)	STB-4150V (Wall Mount)
Operating Temperature	-35°C ~ 50°C	-35°C ~ 50°C	-35°C ~ 50°C	-35°C ~ 50°C	-10°C ~ 50°C
Operating Humidity	0 to 90% RH (non-condensing)	0 to 90% RH (non-condensing)	0 to 90% RH (non-condensing)	0 to 90% RH (non-condensing)	0 to 90% RH (non-condensing)
Materials	Housing	AL	AL	ABS	AL
	Ring	N/A	N/A	N/A	N/A
	Dome	N/A	N/A	N/A	N/A
Antivibration / Waterproof	N/A	N/A	N/A	N/A	N/A
Dimensions (WxHxD)	232 x 149 x 626mm (9.13" x 5.87" x 24.65")	144 x 100 x 500mm (5.67" x 3.94" x 19.69")	171 x 109 x 470mm (6.73" x 4.29" x 18.5")	113 x 92 x 405mm (4.45" x 3.62" x 15.94")	Ø80 x 155.4mm (Ø3.15" x 6.12")
Weight	4Kg (8.82 lb)	1.5Kg (3.31 lb)	1.3Kg (2.87 lb)	1Kg (2.2 lb)	400g (0.88 lb)

Dimensions

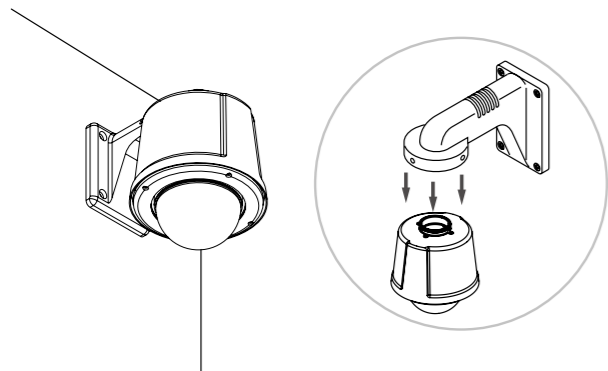
Unit : mm (inch)



CAMERA ACCESSORIES

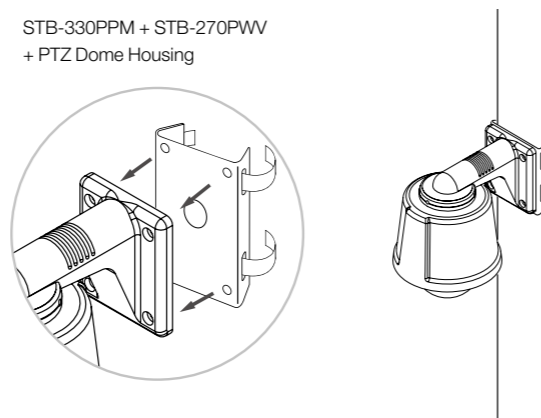
Wall Mount

STB-270PWV + PTZ Dome Housing



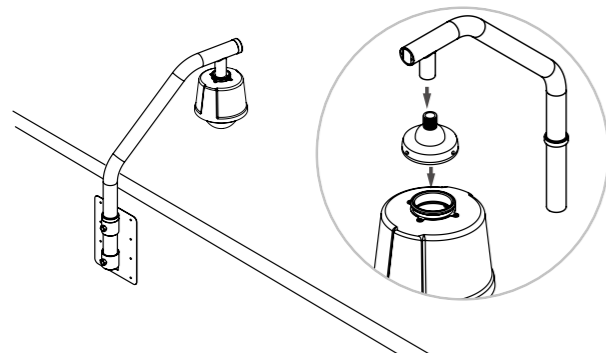
Pole Mount

STB-330PPM + STB-270PWV + PTZ Dome Housing



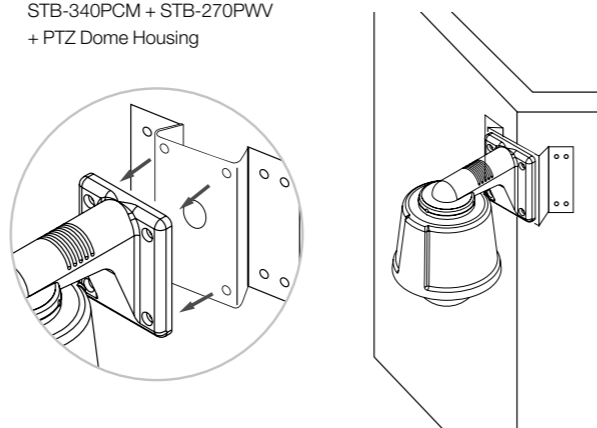
Parapet Mount

STB-350PPM + STB-30PF + PTZ Dome Housing

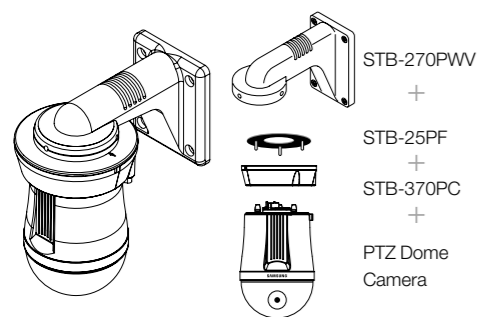


Corner Mount

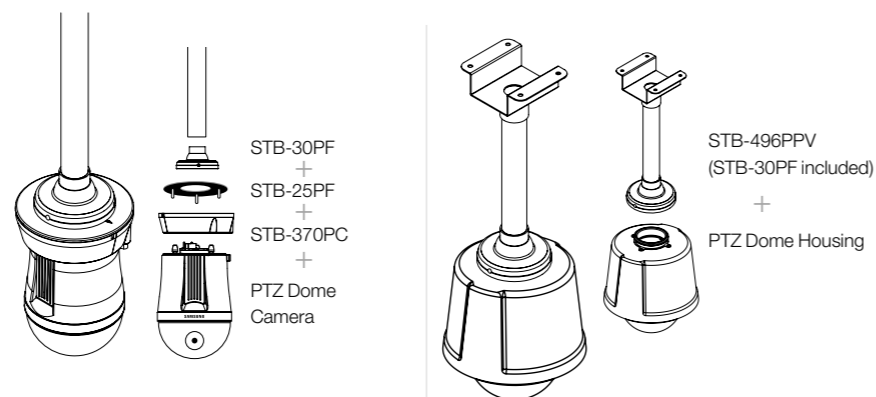
STB-340PCM + STB-270PWV + PTZ Dome Housing



Flange



Pendant Mount



Your source for Professional Video Security Solutions



LENS

Samsung Digital Security Systems



SAMSUNG TECHWIN

SAMSUNG

LENS SELECTION

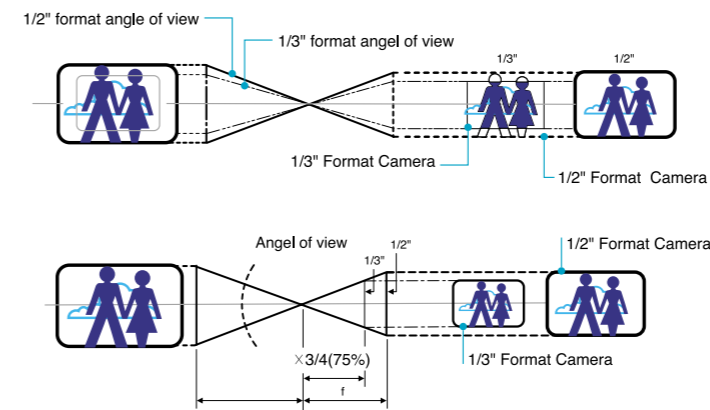
Lens Description	Model	Image	Mount	Image Format	Focal Length	Back Focal Length	Zoom Ratio	F. No	Minimum Angle of View	Operation			Dimensions (WxHxD)mm / inch	Weight (g / lb)
										Iris	Focus	Zoom		
Zoom Lens	SLA-880		C	1/2"	8 - 80mm 0.31" - 3.14"	15.3mm 0.6"	10	1.2	54.3° - 5.8°	Auto	Motorized	Motorized	70 x 81 x 123.5mm 2.76" x 3.19" x 4.86"	670g 1.48 lb
Varifocal Lens	SLA-3580DN		CS	1/3"	3.5 - 8mm 0.14" - 0.31"	8.7 - 14.7mm 0.34" - 0.58"	2.3	1.0	111.2° - 44.7°	DC	Manual	Manual	38.6 x 45.3 x 46 1.52" x 1.78" x 1.81"	54.5 0.12 lb
	SLA-2985D				2.9 - 8.5mm 0.11" - 0.33"	7.95 - 15.3mm 0.31" - 0.6"	3	1.2	123.4° - 41.8°				38.3 x 44.7 x 45 1.51" x 1.76" x 1.77"	50 0.11 lb
	SLA-2810D				2.8 - 10mm 0.11" - 0.39"	7.8 - 17mm 0.3" - 0.67"	3	1.4	115.8° - 35.8°				40 x 46 x 57.2 1.57" x 1.81" x 2.25"	65 0.14 lb
	SLA-550D				5 - 50mm 0.2" - 1.97"	7.6 - 11mm 0.3" - 0.43"	10	1.8	64.2° - 6.9°				44.5 x 50.8 x 61.5 1.75" x 2" x 2.42"	140 0.31 lb

Field of View (1/3" TYPE CCD)

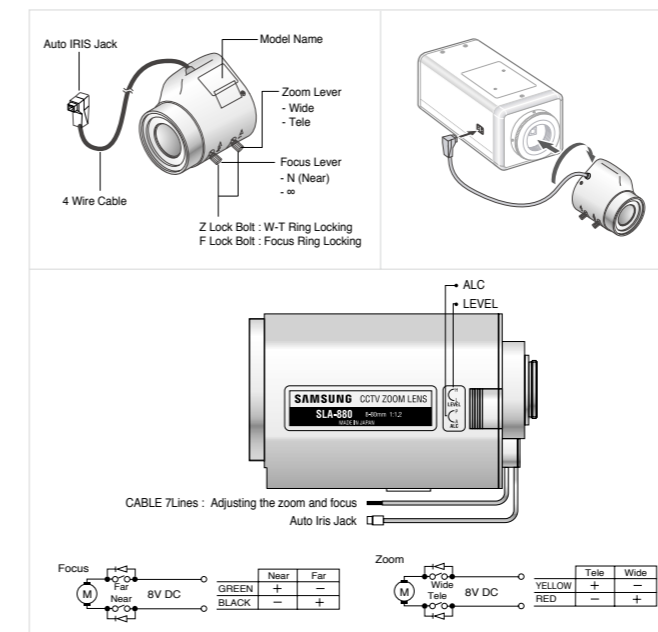
F(mm)	3.6	6	12	16	25	50	75	180
1	1.33 x 1.00	0.80 x 0.60	0.40 x 0.30	0.30 x 0.23	0.19 x 0.14	0.10 x 0.07	0.06 x 0.05	0.03 x 0.02
1.5	2.00 x 1.50	1.20 x 0.90	0.60 x 0.45	0.45 x 0.34	0.29 x 0.22	0.14 x 0.11	0.10 x 0.07	0.04 x 0.03
2	2.67 x 2.00	1.60 x 1.20	0.80 x 0.60	0.60 x 0.45	0.38 x 0.29	0.19 x 0.14	0.13 x 0.10	0.05 x 0.04
2.5	3.33 x 2.50	2.00 x 1.50	1.00 x 0.75	0.75 x 0.56	0.48 x 0.36	0.24 x 0.18	0.16 x 0.12	0.07 x 0.05
3	4.00 x 3.00	2.40 x 1.80	1.20 x 1.90	0.90 x 0.68	0.58 x 0.43	0.29 x 0.22	0.19 x 0.14	0.08 x 0.06
3.5	4.67 x 3.50	2.80 x 2.10	1.40 x 1.05	1.05 x 0.79	0.67 x 0.50	0.34 x 0.25	0.22 x 0.17	0.09 x 0.07
4	5.33 x 4.00	3.20 x 2.40	1.60 x 1.20	1.20 x 0.90	0.77 x 0.58	0.38 x 0.29	0.26 x 0.19	0.11 x 0.08
4.5	6.00 x 4.50	3.60 x 2.70	1.80 x 1.35	1.35 x 1.01	0.86 x 0.65	0.43 x 0.32	0.29 x 0.22	0.12 x 0.09
5	6.67 x 5.00	4.00 x 3.00	2.00 x 1.50	1.50 x 1.13	0.96 x 0.72	0.48 x 0.36	0.32 x 0.24	0.13 x 0.10
6	8.00 x 6.00	4.80 x 3.60	2.40 x 1.80	1.80 x 1.35	1.15 x 0.86	0.58 x 0.43	0.38 x 0.29	0.16 x 0.12
7	9.33 x 7.00	5.60 x 4.20	2.80 x 2.10	2.10 x 1.58	1.34 x 1.01	0.67 x 0.50	0.45 x 0.34	0.19 x 0.14
8	10.67 x 8.00	6.40 x 4.80	3.20 x 2.40	2.40 x 1.80	1.54 x 1.15	0.77 x 0.58	0.51 x 0.38	0.21 x 0.16
9	12.00 x 9.00	7.20 x 5.40	3.60 x 2.70	2.70 x 2.03	1.73 x 1.30	0.86 x 0.65	0.58 x 0.43	0.24 x 0.18
10	13.33 x 10.00	8.00 x 6.00	4.00 x 3.00	3.00 x 2.25	1.92 x 1.44	0.96 x 0.72	0.64 x 0.48	0.27 x 0.20
11	14.67 x 11.00	8.80 x 6.60	4.40 x 3.30	3.30 x 2.48	2.11 x 1.58	1.06 x 0.79	0.70 x 0.53	0.29 x 0.22
12	16.00 x 12.00	9.60 x 7.20	4.80 x 3.60	3.60 x 2.70	2.30 x 1.73	1.15 x 0.86	0.77 x 0.58	0.32 x 0.24
13	17.33 x 13.00	10.40 x 7.80	5.20 x 3.90	3.90 x 2.93	2.50 x 1.87	1.25 x 0.94	0.83 x 0.62	0.35 x 0.26
14	18.67 x 14.00	11.20 x 8.40	5.60 x 4.20	4.20 x 3.15	2.69 x 2.02	1.34 x 1.01	0.90 x 0.67	0.37 x 0.28
15	20.00 x 15.00	12.00 x 9.00	6.00 x 4.50	4.50 x 3.38	2.88 x 2.16	1.44 x 1.08	0.96 x 0.72	0.40 x 0.30
20	26.67 x 20.00	16.00 x 12.00	8.00 x 6.00	6.00 x 4.50	3.84 x 2.88	1.92 x 1.44	1.28 x 0.96	0.53 x 0.40
25	33.33 x 25.00	20.00 x 15.00	10.00 x 7.50	7.50 x 5.63	4.80 x 3.60	2.40 x 1.80	1.60 x 1.20	0.67 x 0.50
30	40.00 x 30.00	24.00 x 18.00	12.00 x 9.00	9.00 x 6.75	5.76 x 4.32	2.88 x 2.16	1.92 x 1.44	0.80 x 0.60
60	80.00 x 60.00	48.00 x 36.00	24.00 x 18.00	18.00 x 13.50	11.52 x 8.64	5.76 x 4.32	3.84 x 2.88	1.60 x 1.20
90	120.00 x 90.00	72.00 x 54.00	36.00 x 27.00	27.00 x 20.25	17.28 x 12.96	8.64 x 6.48	5.76 x 4.32	2.40 x 1.80
120	160.00 x 120.00	96.00 x 72.00	48.00 x 36.00	36.00 x 27.00	23.04 x 17.28	11.52 x 8.64	7.68 x 5.76	3.20 x 2.40
150	200.00 x 150.00	120.00 x 90.00	60.00 x 45.00	45.00 x 33.75	28.80 x 21.60	14.40 x 10.80	9.60 x 7.20	4.00 x 3.00

LENS TERMS & FEATURES

Lens Angle of View



Lens Parts & Names



Focal Length

The distance (in millimeters) from the lens to the surface of the image sensor. The shorter the distance, the wider the view; the longer the distance, the narrower (telephoto) the view.

Varifocal Lens

A lens type that the focal length can be varied to give the exact image desired. It is similar to a manual zoom lens, except that a varifocal lens cannot be zoom tracked.

Zoom Lens

A lens type that is capable of enlarge or reduce, on a continuously variable basis, the size of a televised image primarily by varying lens focal length.

C/CS-Mount

The two industry standards for mounting a lens on a camera. The C-Mount lens has a 17.5mm flange back distance. The CS-Mount lens has a 12.5mm flange back distance.

Manual / Auto Iris

Iris is the adjustable opening (mechanical diaphragm) through which light can pass and be regulated.

Manual iris

A Lens with a manual adjustment to set the iris opening (F stop) in a fixed position. Generally used for fixed lighting applications.

Auto iris

A lens in which the aperture automatically opens or closes to maintain proper light levels on the camera's pickup device.

Field of View at a Glance

Field of view formula

CCD	1/4"	1/3"	1/2"
Width	(3.6 x L) / f	(4.8 x L) / f	(6.4 x L) / f
Height	(2.7 x L) / f	(3.6 x L) / f	(4.8 x L) / f

W (m) : Width of scene
 H (m) : Height of scene
 f (mm) : Lens focal Length
 L (m) : Distance between lens and subject

SLA-880

1/2" C-mount Motorized 10X Zoom Lens

Overview

The SLA-880 C-mount lens offers full motorized zoom and focus operation. Equipped with a powerful 10X optical zoom, the lens is ideal for applications requiring high quality long range viewing. A built-in auto iris adjustment by video connection allows installation in areas with changing light conditions.



Features

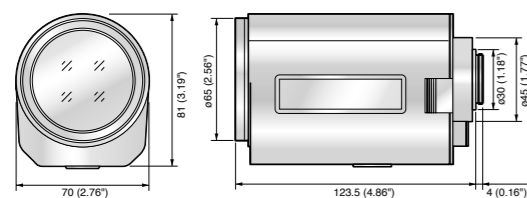
- Video Type Auto Iris, C-mount
- 10X Motorized zoom (8 ~ 80mm / 0.31" ~ 3.15")
- Sharp and clear image in low light with F1.2
- Simple to install and adjust

Technical Specifications

		SLA-880	
CCD		1/2"	1/3"
Iris Type		Auto Iris (Video)	
Object Distance		0.2m ~ ∞	
Zoom		10X	
Mount		C-Mount	
Focal Length		8 ~ 80mm / 0.31" ~ 3.15"	
Max. Aperture Ratio		F 1.2	
Angle of View	Diagonal	54.3° ~ 5.8°	41.3° ~ 4.4°
	Horizontal	44.0° ~ 4.7°	33.3° ~ 3.5°
	Vertical	33.3° ~ 3.5°	25.0° ~ 2.6°
Operation	Iris	F 1.2 ~ F 560C	
	Focus	1.5m ~ ∞	
	Zoom	8 ~ 80mm / 0.31" ~ 3.15"	
Control	Iris	8.5V DC ~ 16V DC	
	Focus	8V DC	
	Zoom	8V DC	
Object Dimension at M.O.D.		80mm : 12.3cm x 9.2cm / 3.15" : 4.84" x 3.62"	
Back Focal Length		15.3mm / 0.6"	
Flange Back Length		17.526mm / 0.69"	
Input Signal		Video Signal (V or VS)	
Sensitivity Adjustment		0.5V(p-p) ~ 1.0V(p-p) (Video Signal)	
Operating Temperature		-10°C ~ +50°C	
Dimensions (WxHxD)		70 x 81 x 123.5mm (2.76" x 3.19" x 4.86")	
Weight		670g (1.48 lb)	

Dimensions

Unit : mm (inch)



SLA-3580DN/2985D/2810D/550D

1/3" Auto Iris Varifocal Lens

Overview

A Varifocal lens allows the installer to adjust the field of view (zoom) to meet the needs of the application. Unlike a motorized zoom lens, a varifocal lens cannot be remotely adjusted. The advantage of the varifocal is that it is much lower cost than a zoom lens. The SLA series of varifocal lenses are high quality IR corrected auto iris lenses that are well suited for use with the high resolution Samsung Techwin cameras. The SLA-3580DN utilizes special low dispersion glass elements developed by Samsung Techwin specifically for Day & Night use. All of these lenses feature high optical performance without the ghosting or aberrations found in or binary varifocal lenses.

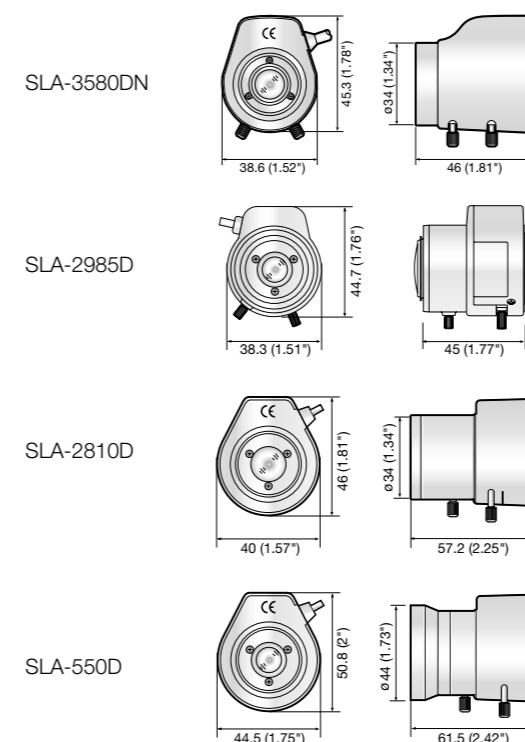


Features

- F1.0 (SLA-3580DN), F1.4 (SLA-2810D)
F1.2 (SLA-2985D), F1.8 (SLA-550D) DC Type auto iris
- Varifocal 3.5 ~ 8mm / 0.14" ~ 0.31" (SLA-3580DN)
2.9 ~ 8.5mm / 0.11" ~ 0.33" (SLA-2985D)
2.8 ~ 10mm / 0.11" ~ 0.39" (SLA-2810D)
5 ~ 50mm / 0.2" ~ 1.97" (SLA-550D)
- Excellent low light performance
- Simple to install and adjust
- High quality, compact design

Dimensions

Unit : mm (inch)



Technical Specifications

		SLA-3580DN	SLA-2985D	SLA-2810D	SLA-550D
Focal Length		3.5 ~ 8mm	2.9 ~ 8.5mm	2.8 ~ 10mm	5 ~ 50mm
		0.14" ~ 0.31"	0.11" ~ 0.33"	0.11" ~ 0.39"	0.2" ~ 1.97"
Max. Aperture Ratio		1 : 1.0 ~ 360	1 : 1.2 ~ 360	1 : 1.4 ~ 360	1 : 1.8 ~ 360
Max. Image Format		4.8(H) x 3.6(V)			
Operation	Iris	Auto (F1.0 ~ 360)	Auto (F1.2 ~ 300)	Auto (F1.4 ~ 360)	Auto (F1.4 ~ 360)
	Focus	Manual			
	Zoom	Manual			
Angle of View	Diagonal	111.2° ~ 44.7°	123.4° ~ 41.8°	115.8° ~ 35.3°	64.2° ~ 6.9°
	Horizontal	83.5° ~ 35.6°	96.2° ~ 33.4°	93.7° ~ 28.3°	51.7° ~ 5.5°
	Vertical	60.4° ~ 26.6°	70.7° ~ 25.1°	70.6° ~ 21.2°	38.9° ~ 4.1°
Iris Type		DC			
Effective Lens	Front	Ø17.5mm	Ø21.14mm	Ø20.5mm	Ø37.7mm
		Ø0.69"	Ø0.83"	Ø0.81"	Ø1.48"
Aperture	Rear	Ø8.8mm	Ø8.44mm	Ø8.8mm	Ø9mm
		Ø0.37"	Ø0.33"	Ø0.35"	Ø3.9"
Back Focal Length		8.7 ~ 14.7mm	7.95 ~ 15.3mm	7.8 ~ 17mm	7.6 ~ 11mm
		0.34" ~ 0.58"	0.31" ~ 0.6"	0.3" ~ 0.67"	0.3" ~ 0.43"
Flange Back Length		12.5mm / 0.49"			
Mount		CS-mount			
Dimensions (WxHxD)		38.6 x 45.3 x 46mm	38.3 x 44.7 x 45mm	40 x 46 x 57.2mm	44.5 x 50.8 x 61.5mm
		(1.52" x 1.78" x 1.81")	(1.51" x 1.76" x 1.77")	(1.57" x 1.81" x 2.25")	(1.75" x 2" x 2.42")
Weight		54.5g (0.12 lb)	50g (0.11 lb)	65g (0.14 lb)	140g (0.31 lb)