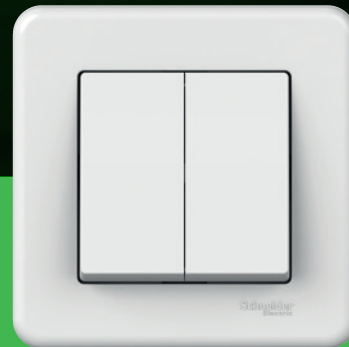




Leona

Timeless and discreet design



Life Is On

Contents

- 4 Leona presentation
- 6 Assembled products
- 11 Accessories
- 12 Technical informations
- 15 Reference number

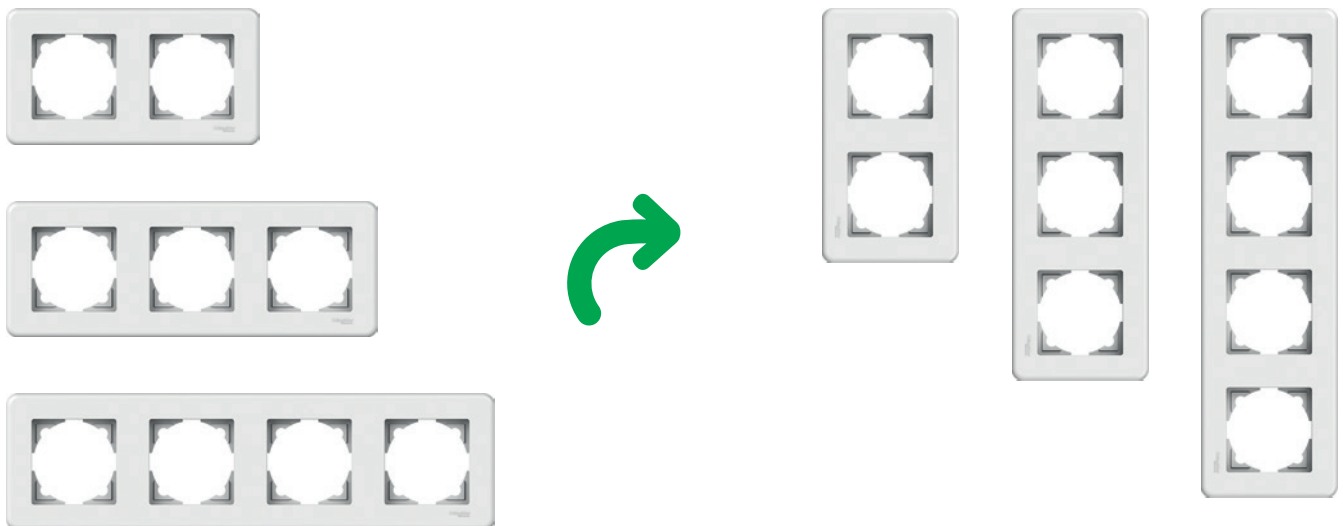
Leona - smart designed...

The new Leona switch range is characterized by smooth rounded edges. The timeless and discreet design in white and creme colour will fit in any home.



Innovative assembly system

Leona frames are available from 1-gang up to 4-gang. The frames can be installed horizontally or vertically. The material is shiny as well as very robust.

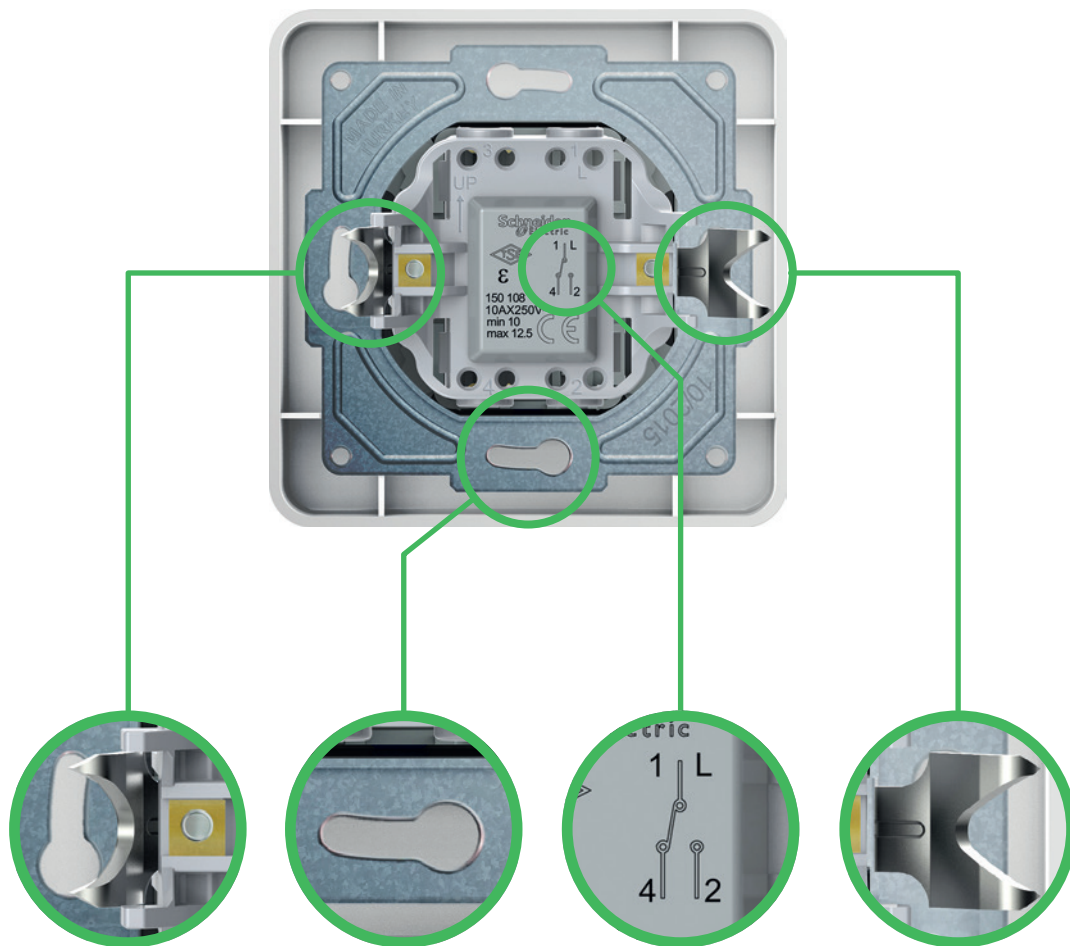


Leona comes with a brought range of functions like dimmers, push-buttons for shutter control, marked socket-outlets and communication outlets and many more.



...simply installed

Thanks to several product features the installation is safe, quick and easy.



Screw or claw mounting

Depending on the installation area or behaviour, all Leona inserts can be mounted with screws or claws.

Safe wiring

The wiring diagram printed on the insert shows how to wire the function.

Strong and long-lasting fixation

The angle of the claws is optimized to provide strong fixation.

Assembled products

Controls








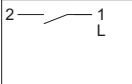
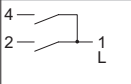
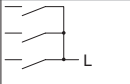
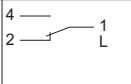
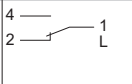
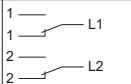
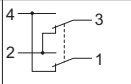
Comfort controls




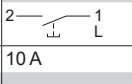
Controls






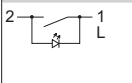
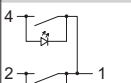
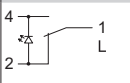
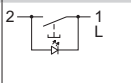
Switches and push-buttons

Common characteristics

- Rated operational voltage: 250 V AC
- Connexion: screw terminals
- Clamping connection capacity:
 - switches: 2 x 2.5 mm² rigid/flexible cables
 - push-buttons: 2 x 1.5 mm² rigid/flexible cables
- Standard: IEC 60669-1
- Certification: TSE
- Quality label: CE
- Degree of protection: IP20, IP44 (LNA040042x)

Switches							
							
One-way switch	Double one-way switch	Triple one-way switch	Two-way switch	Two-way switch-IP44	Double two-way switch	Intermediate switch	
							
Rated current	10 AX						
Colour							
<input type="checkbox"/> white	LNA0100321	LNA0300321	LNA2100321	LNA0400321	LNA0400421	LNA0600321	LNA0500321
<input type="checkbox"/> cream	LNA0100323	LNA0300323	LNA2100323	LNA0400323	LNA0400423	LNA0600323	LNA0500323

Push-buttons			
			
Push-button	Push-button with "key" symbol	Push-button with "bell" symbol	
			
Rated current	10 A		
Colour			
<input type="checkbox"/> white	LNA0700321	LNA0900321	LNA0800321
<input type="checkbox"/> cream	LNA0700323	LNA0900323	LNA0800323

Switches with locator lamp			Push-buttons with locator lamp		
					
One-way switch	Double one-way switch	Two-way switch	Push-button	Push-button with label holder (12 V lamp)	
					
Rated current	10 AX		10 A		
Colour					
<input type="checkbox"/> white	LNA1400321	LNA2000321	LNA1500321	LNA1600321	LNA1601521
<input type="checkbox"/> cream	LNA1400323	LNA2000323	LNA1500323	LNA1600323	LNA1601523

Leona

Assembled products

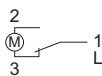
Controls

Comfort controls

Mechanisms for roller blind

Characteristics

- Rated operational voltage: 250 V AC
- Rated current: 10 A
- Connexion: screw terminals
- Clamping connection capacity: 2 x 2.5 mm² rigid/flexible cables
- Degree of protection: IP 20
- Standard: IEC 60669-1
- Certifications: TSE
- Quality label: CE
- Degrees of protection: IP 20

Switch

Colour	
<input type="checkbox"/> white	LNA1300521
<input type="checkbox"/> cream	LNA1300523

Comfort controls

Rotary dimmers

Dimmer for resistive lamps







Colour	
<input type="checkbox"/> white	LNA6400121
<input type="checkbox"/> cream	LNA6400123
Characteristics	
Dimmer control	Rotative - ON/OFF integrated
Rated operational voltage	230 V AC, 50 Hz
Rated current	1.7 A
Minimum load breaking capacity	40 W
Clamping connection capacity	2 x 2.5 mm ² rigid/flexible cables
Ambient air temperature for operation	+5 to +35 °C
Certification	CE
Degree of protection	IP20
Loads	
Incandescend lamps	40 - 400 W
Halogen lamps	40 - 400 W

Leona

Assembled products

Energy socket-outlets

- Characteristics**
- Rated operational voltage: 250 V AC
 - Rated current: 16 A
 - Connexion: screw terminals
 - Clamping connection capacity:
 - 2P: 2 x 2.5 mm² rigid/flexible cables
 - 2P+E: 3 x 2.5 mm² rigid/flexible cables
 - Standard: IEC 60884-1
 - Certification: TSE, BBJ
 - Degree of protection: IP20, IP44 (LNA280022x, LNA280052x)

	2P+E (side earth)			2P+E (pin earth)		
						
	Single	Single with shutters	Single with shutters and lid	Single	Single with shutters and lid IP44	Double
Colour						
<input type="checkbox"/> white	LNA2900121	LNA2900221	LNA3100221	LNA2800121	LNA2800521	LNA9800221
<input type="checkbox"/> cream	LNA2900123	LNA2900223	LNA3100223	LNA2800123	LNA2800523	LNA9800223

Leona

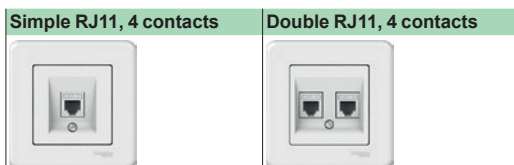
Assembled products

VDI

Telephone sockets

Characteristics

- Degree of protection: IP20

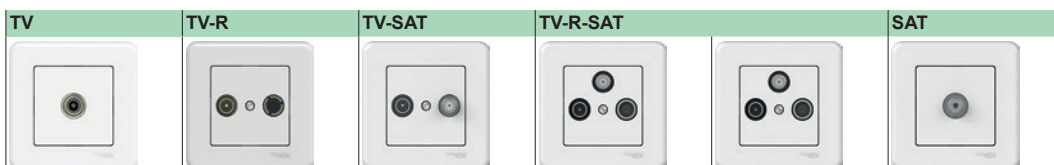


Colour		
<input type="checkbox"/> white	LNA4100121	LNA4200121
<input type="checkbox"/> cream	LNA4100123	LNA4200123

TV-R-SAT sockets

Common characteristics

- Degree of protection: IP20



Type	Ending	Intermediate	Ending	Ending	Intermediate	Intermediate
Connectors	IEC female	IEC male + female	IEC male + F	IEC male + female + F	IEC male + female + F	F
Attenuation	4dB	7 dB	1 dB	1.5 dB	5 dB	4 dB
Colour						
<input type="checkbox"/> white	LNA3200121	LNA3300121	LNA3400121	LNA3500121	LNA3500221	LNA3700121
<input type="checkbox"/> cream	LNA3200123	LNA3300123	LNA3400123	LNA3500123	LNA3500223	LNA3700123

Cover for TV-R and TV-SAT sockets

Characteristics

- Degree of protection: IP20

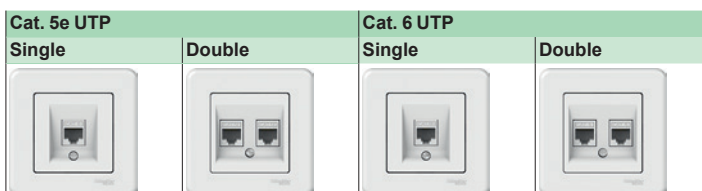


Colour	
<input type="checkbox"/> white	LNA3400521
<input type="checkbox"/> cream	LNA3400523

RJ45 data sockets

Characteristics

- Connexion: IDC terminals
- Degree of protection: IP20



Colour				
<input type="checkbox"/> white	LNA4700121	LNA4400121	LNA4300121	LNA4800121
<input type="checkbox"/> cream	LNA4700123	LNA4400123	LNA4300121	LNA4800123

Leona

Assembled products

VDI

RJ45 + RJ11 data sockets

Characteristics

- Degree of protection: IP20

RJ45 cat.5e UTP + RJ11 4 contacts



Colour

 white

LNA4900121

 cream

LNA4900123

Covers for data sockets

Characteristics

- Degree of protection: IP20

Single



Double



Colour

 white

LNA4301121

LNA4401121

 cream

LNA4301123

LNA4401123

Volume control

Characteristics

- Rated operational voltage : 12 V DC
- Rated operational power: 5W
- Average impedance: 4 Ω
- Clamping connection capacity: 2 x 0.75 mm² flexible cables
- Degree of protection: IP20

Volume control potentiometer



Colour

 white

LNA5701121

 cream

LNA5701123

Cover frames

Characteristics

- Degree of protection: IP20



Colour	2 gang horizontal	3 gang horizontal	4 gang horizontal
<input type="checkbox"/> white	LNA5800221	LNA5800321	LNA5800421
<input type="checkbox"/> cream	LNA5800223	LNA5800323	LNA5800423

Cable outlets

Characteristics

- Degree of protection: IP20

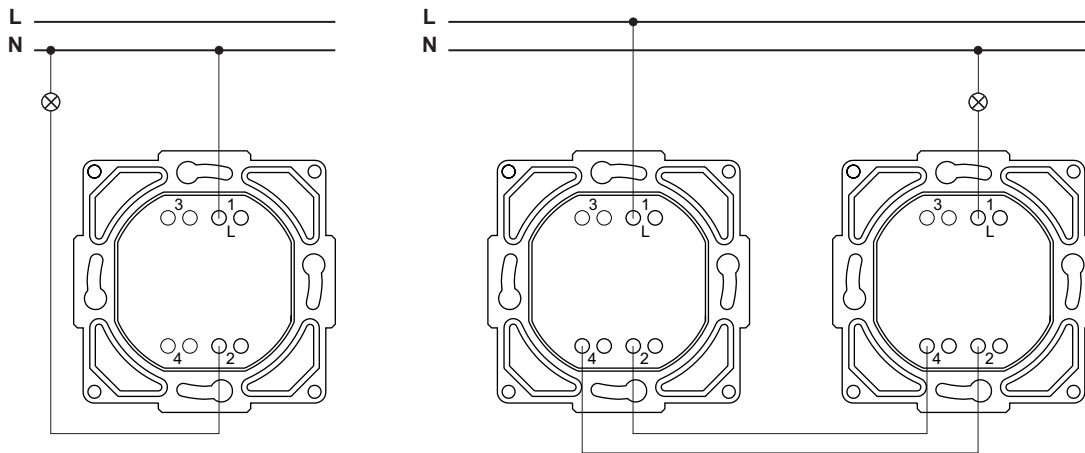


Colour	Cable outlets
<input type="checkbox"/> white	LNA5500121
<input type="checkbox"/> cream	LNA5500123

Technical informations

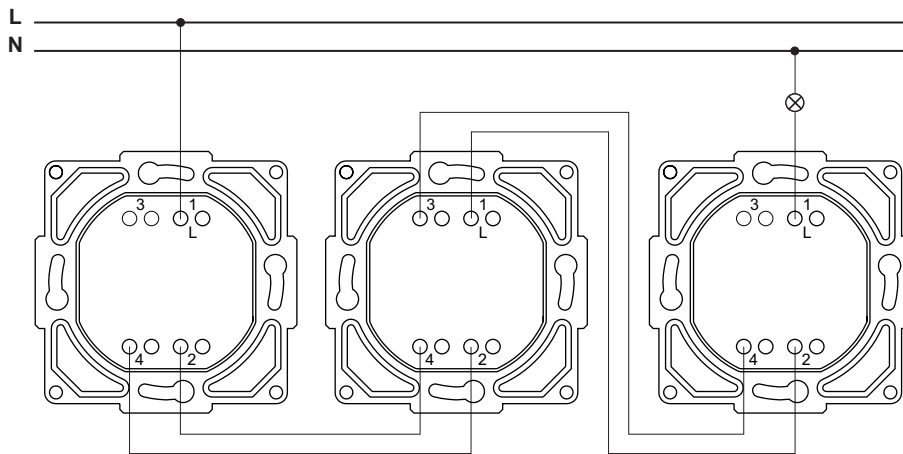
Connection examples

Switches and push-buttons

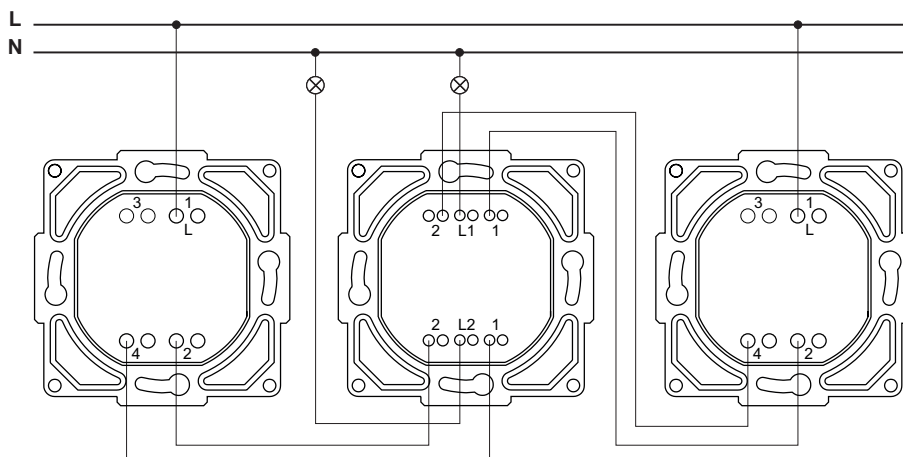


One-way switch

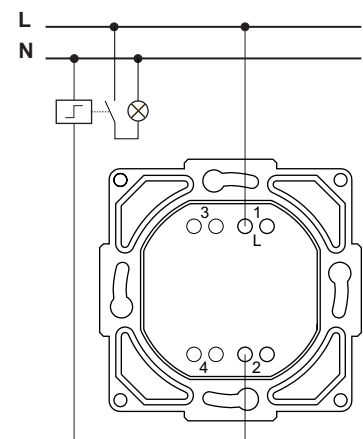
2 two-way switches



2 two-way switches + 1 intermediate switch



2 two-way switches + 1 double two-way switch acting on two different loads

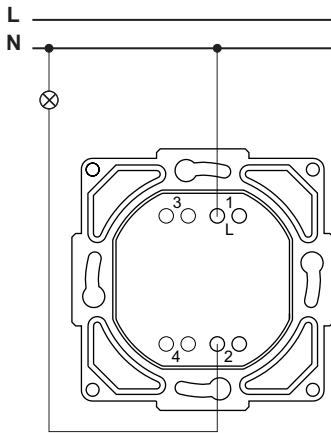


Push-button

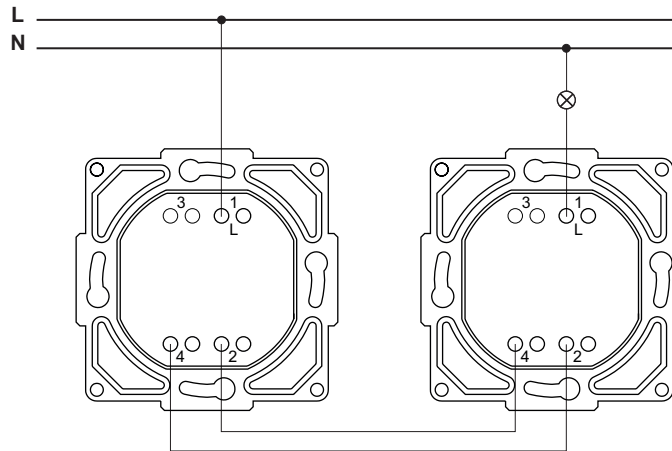
Technical informations

Connection examples

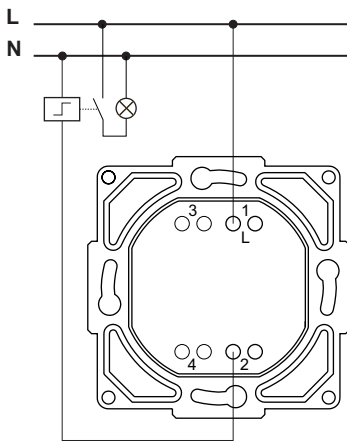
Switches and push-buttons with locator lamp



One-way switch with locator lamp

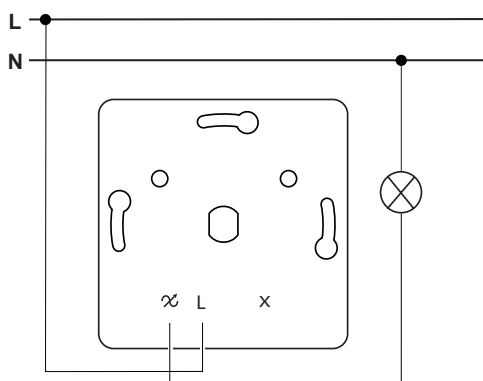


2 two-way switches with locator lamp



Push-button with locator lamp

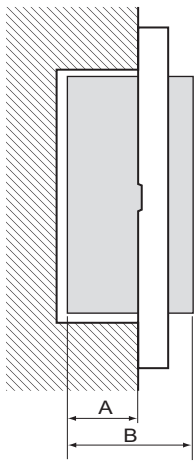
Rotary dimmer



Technical information

Dimensions

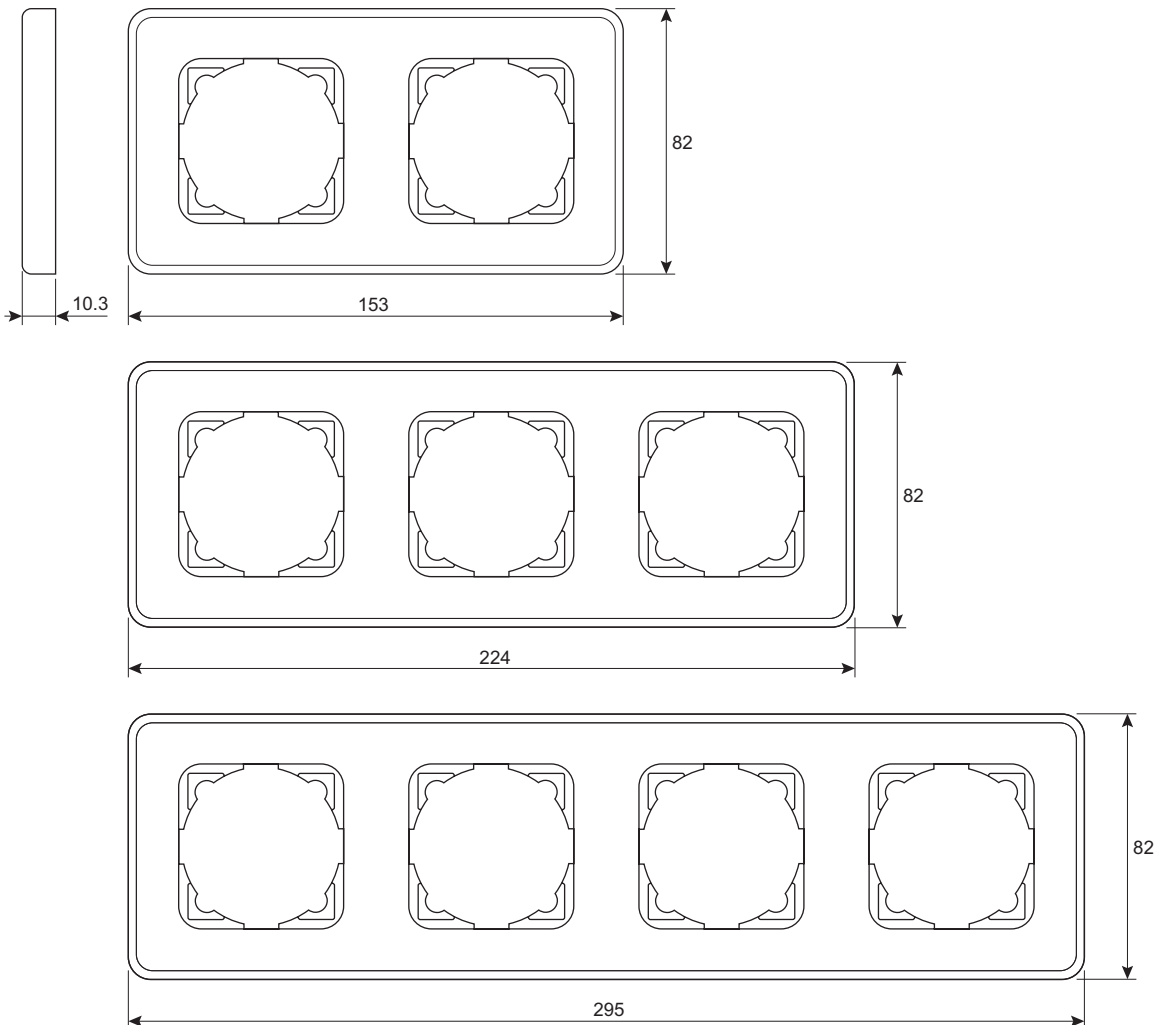
Depth of inserts



Ref.	A (mm)	B (mm)	Ref.	A (mm)	B (mm)	Ref.	A (mm)	B (mm)
LNA010032x	29.3	45.8	LNA160152x	29.3	45.8	LNA350022x	29.1	40.5
LNA030032x	29.3	45.8	LNA200032x	29.3	45.8	LNA370012x	27.1	44.2
LNA040032x	29.3	45.8	LNA210032x	27.9	44.3	LNA410012x	31.4	41.7
LNA040042x	29.3	45.8	LNA280012x	29.1	41.6	LNA420012x	27.3	37.6
LNA050032x	29.3	45.8	LNA280052x	29.4	43.61	LNA430012x	31.4	41.7
LNA060032x	27.9	44.3	LNA290012x	29.1	41.6	LNA440012x	27.3	37.6
LNA070032x	29.3	45.8	LNA290022x	29.1	41.6	LNA440112x	31.4	41.7
LNA080032x	29.3	45.8	LNA300012x	21.3	33.5	LNA470012x	31.4	41.7
LNA090032x	29.6	45.8	LNA310022x	29.1	43.7	LNA480012x	27.3	37.6
LNA130052x	27.9	44.3	LNA320012x	27.1	38.5	LNA490012x	27.3	37.6
LNA140032x	29.3	45.8	LNA330012x	29.5	39.7	LNA570112x	31.2	51.2
LNA150032x	29.3	45.8	LNA340012x	29.5	39.7	LNA640012x	31.2	51.2
LNA160032x	29.3	45.8	LNA350012x	29.1	40.5	LNA980022x	24	44.74

A: Embedding depth
B: Depth

Cover frames



Dimensions in mm.

Leona

Reference number

Overview

Ref.	Pages	Ref.	Pages	Ref.	Pages	Ref.	Pages	Ref.	Pages
LNA010032x	14	LNA1300521	7	LNA2900123	8	LNA410012x	14	LNA5701121	10
LNA0100321	6	LNA1300523	7	LNA290022x	14	LNA4100121	9	LNA5701123	10
LNA0100323	6	LNA140032x	14	LNA2900221	8	LNA4100123	9	LNA5800221	11
LNA030032x	14	LNA1400321	6	LNA2900223	8	LNA420012x	14	LNA5800223	11
LNA0300321	6	LNA1400323	6	LNA300012x	14	LNA4200121	9	LNA5800321	11
LNA0300323	6	LNA150032x	14	LNA310022x	14	LNA4200123	9	LNA5800323	11
LNA040032x	14	LNA1500321	6	LNA3100221	8	LNA430012x	14	LNA5800421	11
LNA0400321	6	LNA1500323	6	LNA3100223	8	LNA4300121	9	LNA5800423	11
LNA0400323	6	LNA160032x	14	LNA320012x	14	LNA4301121	10	LNA640012x	14
LNA040042x	14	LNA1600321	6	LNA3200121	9	LNA4301123	10	LNA6400121	7
LNA0400421	6	LNA1600323	6	LNA3200123	9	LNA440012x	14	LNA6400123	7
LNA0400423	6	LNA160152x	14	LNA330012x	14	LNA4400121	9	LNA980022x	14
LNA050032x	14	LNA1601521	6	LNA3300121	9	LNA4400123	9	LNA9800221	8
LNA0500321	6	LNA1601523	6	LNA3300123	9	LNA440112x	14	LNA9800223	8
LNA0500323	6	LNA200032x	14	LNA340012x	14	LNA4401121	10		
LNA060032x	14	LNA2000321	6	LNA3400121	9	LNA4401123	10		
LNA0600321	6	LNA2000323	6	LNA3400123	9	LNA470012x	14		
LNA0600323	6	LNA210032x	14	LNA3400521	9	LNA4700121	9		
LNA070032x	14	LNA2100321	6	LNA3400523	9	LNA4700123	9		
LNA0700321	6	LNA2100323	6	LNA350012x	14	LNA480012x	14		
LNA0700323	6	LNA280012x	14	LNA3500121	9	LNA4800121	9		
LNA080032x	14	LNA2800121	8	LNA3500123	9	LNA4800123	9		
LNA0800321	6	LNA2800123	8	LNA350022x	14	LNA490012x	14		
LNA0800323	6	LNA2800521	8	LNA3500221	9	LNA4900121	10		
LNA090032x	14	LNA2800523	8	LNA3500223	9	LNA4900123	10		
LNA0900321	6	LNA280052x	14	LNA370012x	14	LNA5500121	11		
LNA0900323	6	LNA290012x	14	LNA3700121	9	LNA5500123	11		
LNA130052x	14	LNA2900121	8	LNA3700123	9	LNA570112x	14		

Life Is On | **Schneider**
Electric

Schneider Electric Industries SAS

35, rue Joseph Monier
CS 30323
92506 Rueil Malmaison Cedex
France

RCS Nanterre 954 503 439
Capital social 896 313 776 €
www.schneider-electric.com

03-2018
ART. XXXXXX

© 2018 - Schneider Electric. All Rights Reserved.
All trademarks are owned by Schneider Electric Industries SAS or its affiliated companies.
Document reference: LSB03405EN

This document has been
printed on recycled paper

