

INDORACK

NETWORK CABINET



**EXCELLENT
QUALITY**

19 inch Network Cabinet Rack System

STABILITY | RELIABILITY | EASY ACCESSIBILITY | ATTRACTIVE APPEARANCE | COST EFFECTIVENESS

Download from, mepbali.com

Standing Heavy Duty CLOSE RACK 19 inch

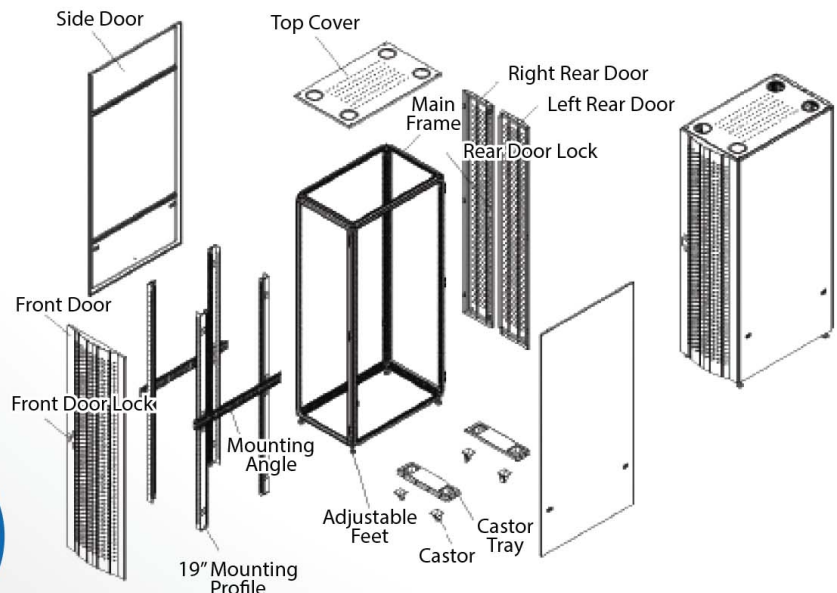
Comply & compatible with 19 inch international standard, metric system & ETSI standard. Frame is built up by double pipes profile and appropriate 3 tees joint for solid structure and static loading achieves to 1500 kg.

Product ID	Size	Height (mm)	Width (mm)	Depth (mm)	Weight (Kg)
PRO9020	20U	1100	600	900	± 115
PRO9032	32U	1620	600	900	± 139
PRO9042	42U	2070	600	900	± 159
PRO11520	20U	1100	600	1150	± 127
PRO11532	32U	1620	600	1150	± 152
PRO11542	42U	2070	600	1150	± 183
PRO11545	45U	2200	600	1150	± 198

Front & rear door angle can open 130 degree with top cable entry hole with rubber cover. Comfortable handle with safe lock & rear door 3-point handle lock system enlarges the security.



High density vented hole front & rear door, meeting the ventilation requirements. The side door easy to be installed & uninstalled quickly which make the working conveniently. Included castor & adjustable feet which make the moving and fixing easily.



Standing Glass Door CLOSE RACK 19 inch

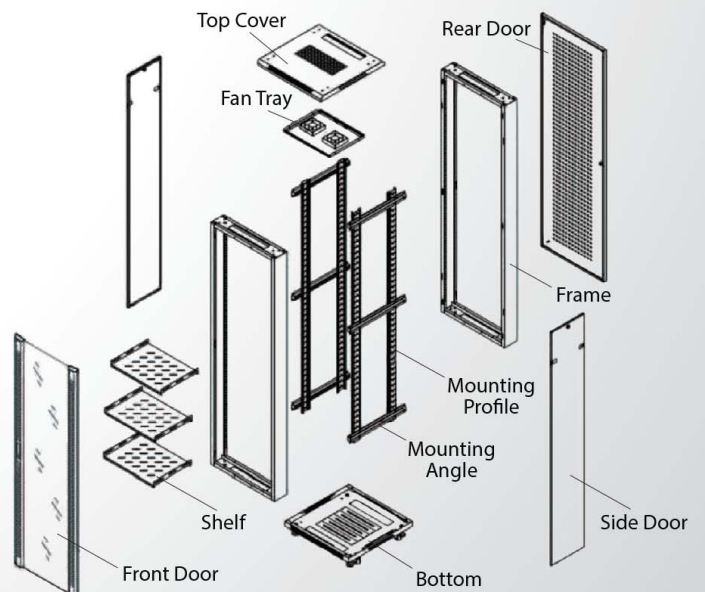
Comply & compatible with 19 inch international standard, metric system & ETSI standard. Reliable structure & static loading achieves up to 800 kg.

Product ID	Size	Height (mm)	Width (mm)	Depth (mm)	Weight (Kg)
IR8010G	10U	570	600	800	± 49
IR8012G	12U	660	600	800	± 50
IR6020G	20U	1100	600	600	± 60
IR6032G	32U	1620	600	600	± 82
IR9020G	20U	1100	600	900	± 77
IR9027G	27U	1320	600	900	± 92
IR9032G	32U	1620	600	900	± 107
IR9042G	42U	2070	600	900	± 117
IR11520G	20U	1100	600	1150	± 97
IR11532G	32U	1620	600	1150	± 121
IR11542G	42U	2070	600	1150	± 157
IR11545G	45U	2200	600	1150	± 163

High density vented hole front & rear door, for perforated series meeting the ventilation requirements, & international popular tempered glass front door for glass door series.



The side door easy to be installed and uninstalled quickly which make the working conveniently. Include castor and adjustable feet which make the moving and fixing easily. Comfortable handle with safe lock front & rear door lock system enlarges the security.



Standing Perforated Door CLOSE RACK 19 inch

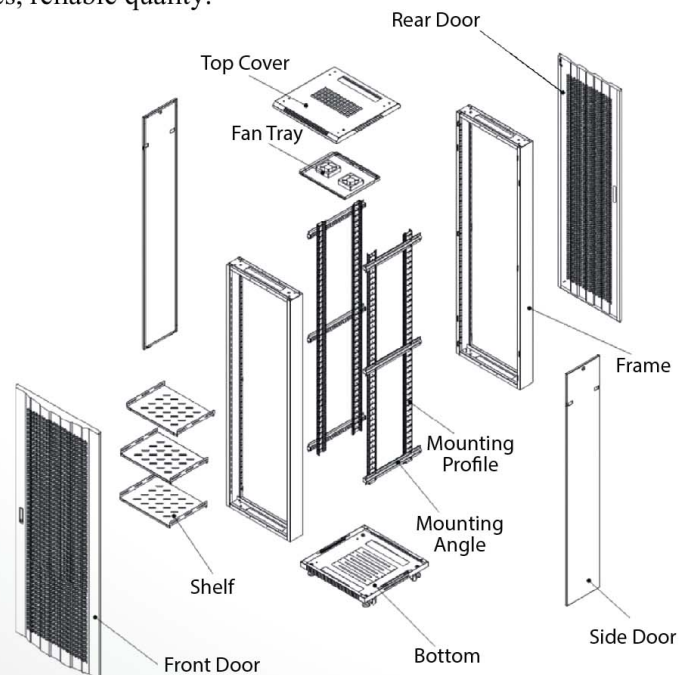
Comply & compatible with 19 inch international standard, metric system & ETSI standard. Reliable structure & static loading achieves to 800 kg.

Product ID	Size	Height (mm)	Width (mm)	Depth (mm)	Weight (Kg)
IR6020P	20U	1100	600	600	± 59
IR6032P	32U	1620	600	600	± 79
IR9020P	20U	1100	600	900	± 75
IR9027P	27U	1320	600	900	± 90
IR9032P	32U	1620	600	900	± 102
IR9042P	42U	2070	600	900	± 113
IR11520P	20U	1100	600	1150	± 95
IR11532P	32U	1620	600	1150	± 122
IR11542P	42U	2070	600	1150	± 155
IR11545P	45U	2200	600	1150	± 161

Adjustable feet and castors are available, moving conveniently and fixing reliable. Baying together easy, quickly efficiently and firmly.



Optional cable entry on top cover and bottom panel. Front door, rear door and side panel can be removed facility, the bottom has the function of ventilation and rat-proof. Varies optional accessories, reliable quality.



Wallmount Rack

19 inch SERIES

Comply & compatible with 19 inch international standard, metric system & ETSI standard. Welded structure, stable, static loading capacity 60 kg

Quick and easy wall mounted 19 inch standard installation inside.

Single Door

Product ID	Size	Height (mm)	Width (mm)	Depth (mm)	Weight (Kg)
WIR4504S	4U	280	600	450	± 22
WIR4506S	6U	340	600	450	± 27
WIR4508S	8U	460	600	450	± 31
WIR4512S	12U	660	600	450	± 34
WIR4515S	15U	780	600	450	± 38
WIR5508S	8U	460	600	550	± 32
WIR5512S	12U	660	600	550	± 35
WIR5515S	15U	780	600	550	± 40
WIR6008S	8U	460	600	600	± 31
WIR6012S	12U	660	600	600	± 37
WIR6015S	15U	780	600	600	± 42
WIR7015S	15U	780	600	700	± 46
WR5008S	8U	460	600	500	± 24
WR5010S	10U	545	600	500	± 30



Open angle for front door is over 180 degrees. Removable lockable side door, cable entry from top and bottom.



Double Door

Product ID	Size	Height (mm)	Width (mm)	Depth (mm)	Weight (Kg)
WIR5508D	8U	460	600	550	± 33
WIR5512D	12U	660	600	550	± 38
WIR5515D	15U	780	600	550	± 41
WIR6008D	8U	460	600	600	± 35

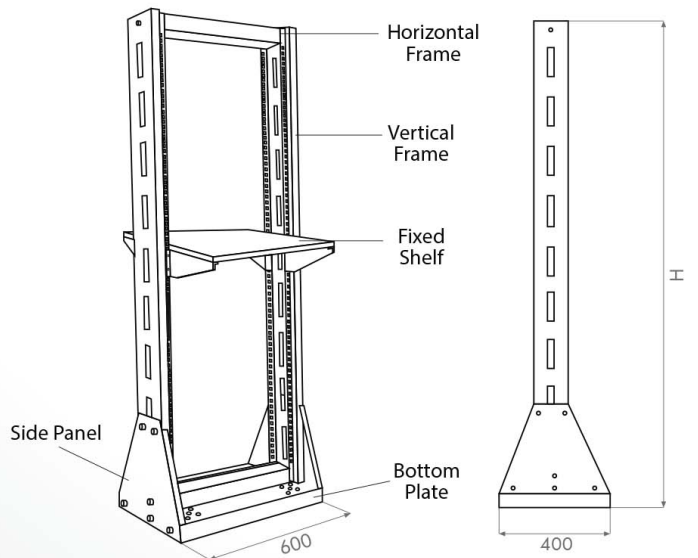


Open Rack 19 inch SERIES

Comply & compatible with 19 inch international standard, metric system & ETSI standard. Simple design, low cost and easy installation.

Product ID	Height (mm)	Width (mm)	Weight (Kg)
OR25	1340	600	± 30
OR32	1590	600	± 32
OR42	2040	600	± 34
OR45	2170	600	± 37
OR50	2400	600	± 39

Selectable optional accessories such as cable manager, wire manager, cantilever shelf, fixed shelf.



Accessories



Cantilever Shelf



Sliding Shelf



Fixed Shelf



Fixed Shelf
for Open Rack



Brush Panel



Power Distribution Unit



Wire Management



Wire Management
with 5 Ring



Digital Temperature Unit



Modular Bracket Fan



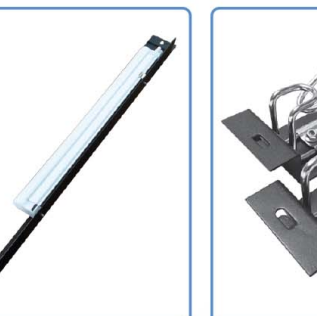
Blank Panel



Single Fan



Vertical Cable
Management



Lamp for Rack



Cable Ring



Screw & Cage Nuts



Castor &
Adjustable Feet

Our Portfolio

Our innovative design and excellence in manufacturing enables us to provide you with the right solutions for your project needs.

We are confident that our product quality is continually improved, and our company's competitiveness can be strengthened, adhering to our company's quality-oriented & technology-based development guidelines.



Data Center
Jakarta Pusat



Stasiun TV Swasta
Jakarta Barat